

Bethlehem PUMPING UNITS

ENGINEERING DATA

25 API SIZE

25,000 In. Lbs. API Peak Torque Pumping Units

GEAR REDUCER DATA

OPTIONAL ITEMS

API Reducer Size	25	Dual Zone Polished Rod Hanger
API Peak Torque @ 20 SPM	25,000 in. lbs.	Triple Zone Polished Rod Hanger
Gear Ratio, Double Reduction	28.9 to 1	Wide Main Base (Portable Type)
Crankshaft Dia.	3"	Crank Guard Rails
V-Belt Sheave - Pitch Dia.	Std. 18" 2B or 3A	Power Assemblies for: Single Cylinder Engines,
	Max. 18"	Hi-Speed Engines, Electric Motors —
Diameter of Reducer Hi-Speed Shaft	1 7/8"	Elevated or Ground Level.
Distance, Centerline Unit to Centerline Drive	8"	
Gear Reducer Oil Capacity, U. S. Gal.	5	

STRUCTURE DATA

API Structure Size	67-36	56-36	67-30	53-30	43-30	53-24
Unit Designation	25-67-36	25-56-36	25-67-30	25-53-30	25-43-30	25-53-24
API Structure Capacity, lbs.	6700	5600	6700	5300	4300	5300
Length of Strokes, in.	36, 28, 20	36, 28, 20	30, 20	30, 20	30, 20	24, 16
Walking Beam Size	12" @ 31#	12" @ 27#	12" @ 27#	10" @ 25#	10" @ 21#	10" @ 21#
Saddle Bearing Type	BUSHING TYPE — FACTORY LUBRICATED					
Projected Area, sq. in.	31	31	31	31	31	31
Tail Bearing Type	STRAIGHT ROLLER BEARING — FACTORY LUBRICATED					
Wrist Pin Bearing - Type	TAPERED ROLLER BEARING, FACTORY LUBRICATED, TAPERED PIN, REMOVED HYDRAULICALLY					
Size	6S	6S	6S	6S	6S	6S
Pitman Size	3" I BEAM					
Wireline Hanger	5/8" x 11'-0"	5/8" x 11'-0"	5/8" x 11'-0"	1/2" x 11'-0"	1/2" x 11'-0"	1/2" x 8'-0"
Cranks	3644-B	3644-B	2436-B	2436-B	2436-B	2436-B
Structure Unbalance, lbs.	275	275	150	150	150	200

COUNTERBALANCE DATA

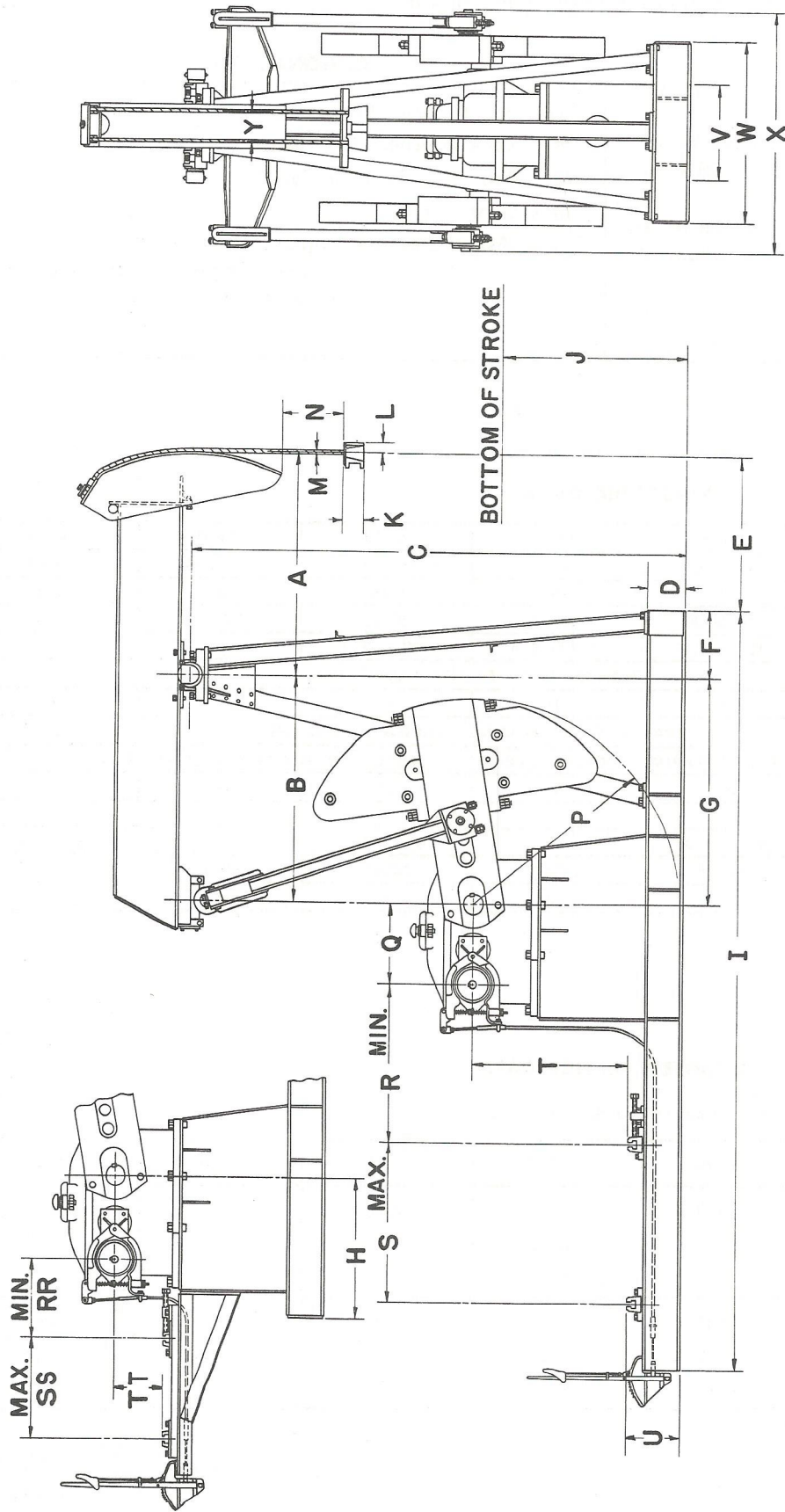
Pounds of effective Counterbalance at Polished Rod at Maximum Stroke, Includes Structure Unbalance.

	67-36	56-36	67-30	53-30	43-30	53-24
Cranks Only	1,990	1,990	1,370	1,370	1,370	1,725
4 No. 40 Main Weights	5,400	5,400	4,400	4,400		
4 No. 40A Aux Weights	6,045		4,970			
4 No. 40 Aux Weights			5,540			
4 No. 35 Main Weights	4,240	4,240	3,400	3,400	3,400	4,065
4 No. 35A Aux Weights	4,750	4,750	3,860	3,860	3,860	4,840
4 No. 35 Aux Weights	5,260	5,260	4,320	4,320		

Bethlehem PUMPING UNITS

DIMENSIONAL DATA

25,000 In. Lbs. Peak Torque Pumping Units



Unit	A	B	C	D	E	F	G	H	I	J	K	L	M	N	P	Q	R	S	T	U	V	W	X	Y	RR	SS	TT
25-67-36	4'-0"	4'-0"	8'-10 1/2"	8"	33"	15"	4'-0"	25"	11'-7"	50 1/2"	4 1/2"	2 7/8"	5/8"	13"	44"	13 9/16"	27"	26 3/4"	33 3/4"	11 1/4"	17"	38 1/2"	47"	6 1/2"	15 1/2"	21 1/4"	10 3/4"
25-56-36	4'-0"	"	"	"	"	"	"	"	"	"	"	"	"	"	"	"	"	"	"	"	"	"	"	"	"	"	"
25-67-30	3'-9"	3'-0"	7'-6 1/2"	6"	31"	14"	3'-0"	"	10'-6"	37 1/2"	"	"	1/2"	"	36"	"	"	28"	27 3/4"	9 1/4"	"	31"	"	"	"	"	"
25-53-30	"	"	"	"	"	"	"	"	"	"	"	"	"	"	"	"	"	"	"	"	"	"	"	"	"	"	"
25-43-30	"	"	"	"	"	"	"	"	"	"	"	"	"	"	"	"	"	"	"	"	"	"	"	"	"	"	"
25-53-24	3'-0"	"	"	"	22"	"	"	"	"	49"	3"	1 13/16"	"	12 1/2"	"	"	"	"	"	"	"	"	"	5 1/2"	"	"	

Note: Dimensions I, R, S and T are for one piece electric motor base. Separate outrigger furnished when required for engines.