

# Bethlehem PUMPING UNITS

## PARTS LIST

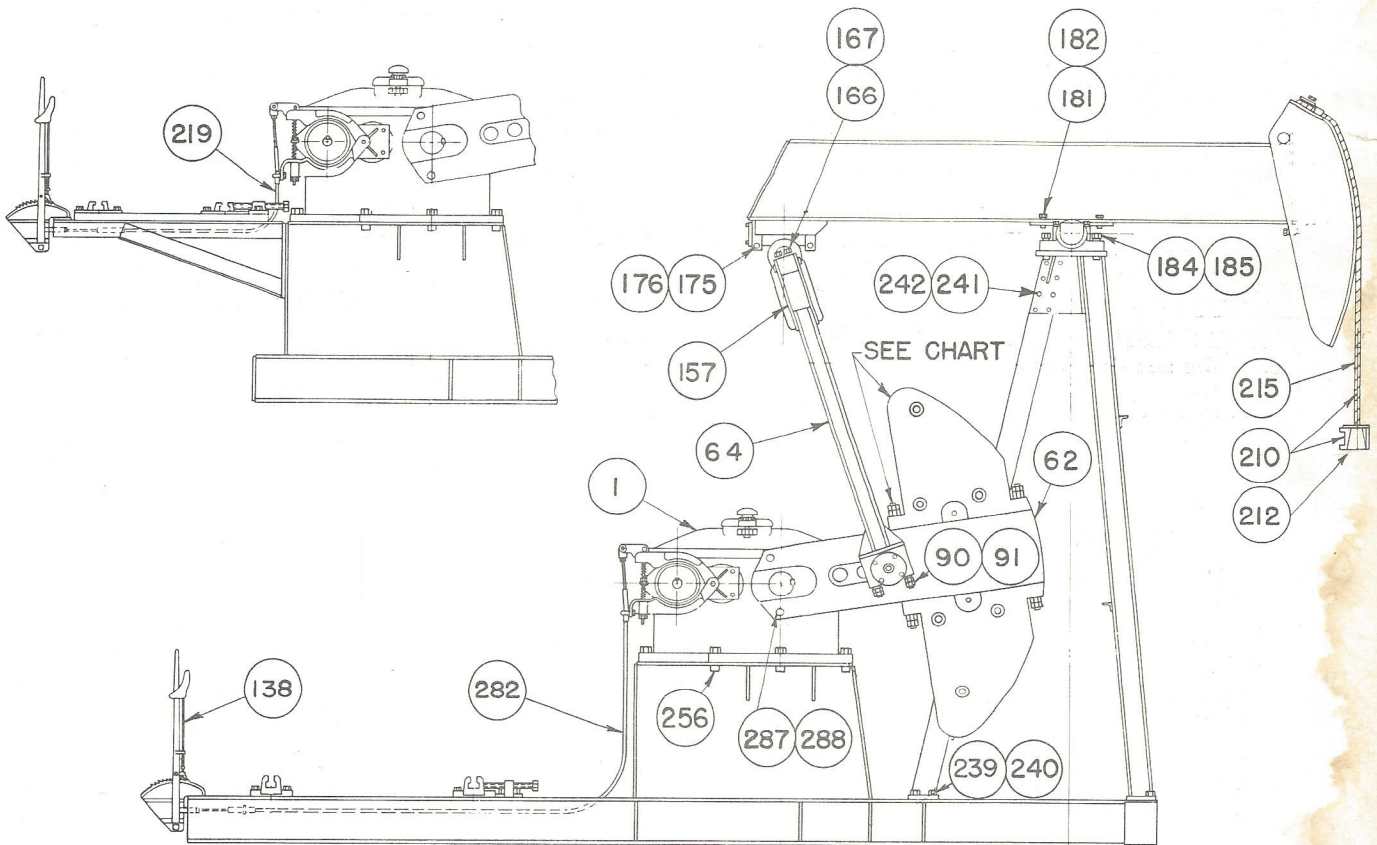
25-67-36

25-56-36

### INSTRUCTIONS FOR ORDERING PARTS

The following information must be furnished with all orders for BETHLEHEM API Pumping Unit Parts:

1. Structural designation of Unit, e. g. 25-67-36
2. Serial Number of Unit (This number is stamped on gear box name plate.)



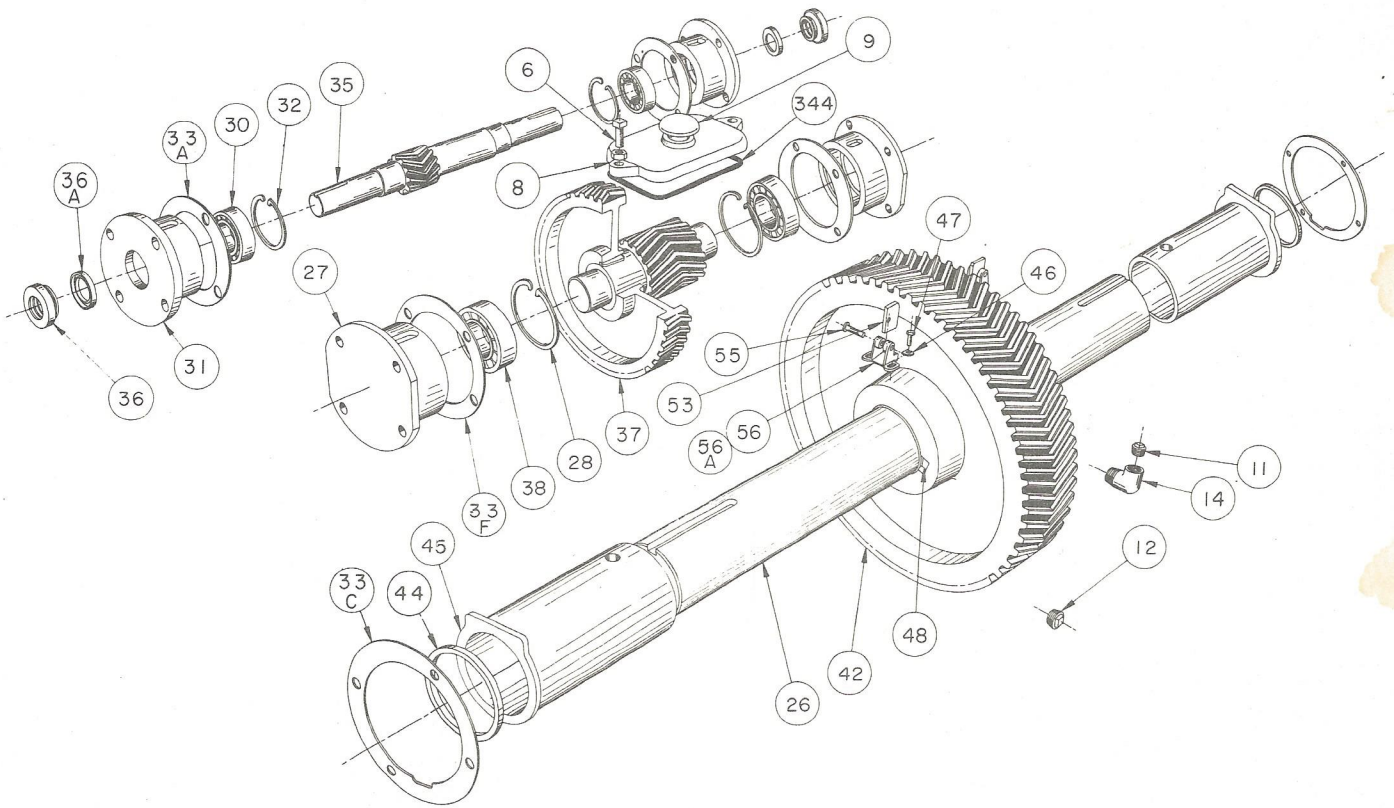
STRUCTURAL COMPONENTS

Item No.	Part No.	Description	No. Req'd.
1	DM 27619	Assembly, Reducer, 25DB	1
62	CM 29388	Crank, 3644B	2
64	BM 35023	Pitman, 55-3/4" Centers	2
90	902580	Bolt, Mach. w/Hex Nut 7/8" x 8" (Pitman to Wrist Pin)	4
91	903114	Nut, Jam, 7/8" (Pitman to Wrist Pin)	4
157	AM 30602	Assembly, Crossbeam and Tailbearing	1
166	902386	Bolt, Mach. w/Hex Nut, 5/8" x 4-1/2" (Pitman to Crossbeam)	8
167	904112	Washer, Lock, 5/8" (Pitman to Crossbeam)	8
175	902480	Bolt, Mach. w/Hex Nut, 3/4" x 5-1/2" (Tailbearing to Beam)	2
176	904014	Washer, Lock, 3/4" (Tailbearing to Beam)	2
181	902462	Bolt, Mach. w/Hex Nut 3/4" x 2" (Saddle to Beam)	4
182	904014	Washer, Lock, 3/4" (Saddle to Beam)	4
184	902560	Bolt, Mach. w/Hex Nut, 7/8" x 3" (Saddle Bearing to Post)	4
185	904116	Washer, Lock, 7/8" (Saddle Bearing to Post)	4
210	BM 31153	Assembly, Wire Line	1
212	BM 10827	Carrier Bar	1
215		Wire Line, Size 5/8" x 11'-0"	1
219	BP 29639	Brake Cable 6'-0" Elevated Electric Motor	1
239	902464	Bolt, Mach. w/Hex Nut, 3/4" x 2-1/4" (Post to Base)	6
240	904114	Washer, Lock, 3/4" (Post to Base)	7
241	902370	Bolt, Mach. w/Hex Nut, 5/8" x 1-3/4" (Rear to Front Post Leg)	14
242	904112	Washer, Lock, 5/8" (Rear to Front Post Leg)	16
256	902468	Bolt, Mach. w/Hex Nut, 3/4" x 2-3/4" (Reducer to Sub Base)	7
282	BP 13466	Brake, Cable, 8'-6", High Speed Engine	1
287	928482	Bolt, Mach. Less Nut, 3/4" x 6" (Counterweight Stop)	4
288	903112	Nut, Jam, 3/4" (Counterweight Stop)	4

COUNTERWEIGHT BOLTS: QUANTITY, SIZE, PART NUMBER			
Counter Weight	45	40	35
Size and Part Number	CM 36952	BM 36951	BM 36957
Quantity of Bolts	2 Bolts	2 Bolts	2 Bolts
Bolt Size and Part Number	1" x 6" A-4782	1" x 6" A-4782	1" x 6" A-4782



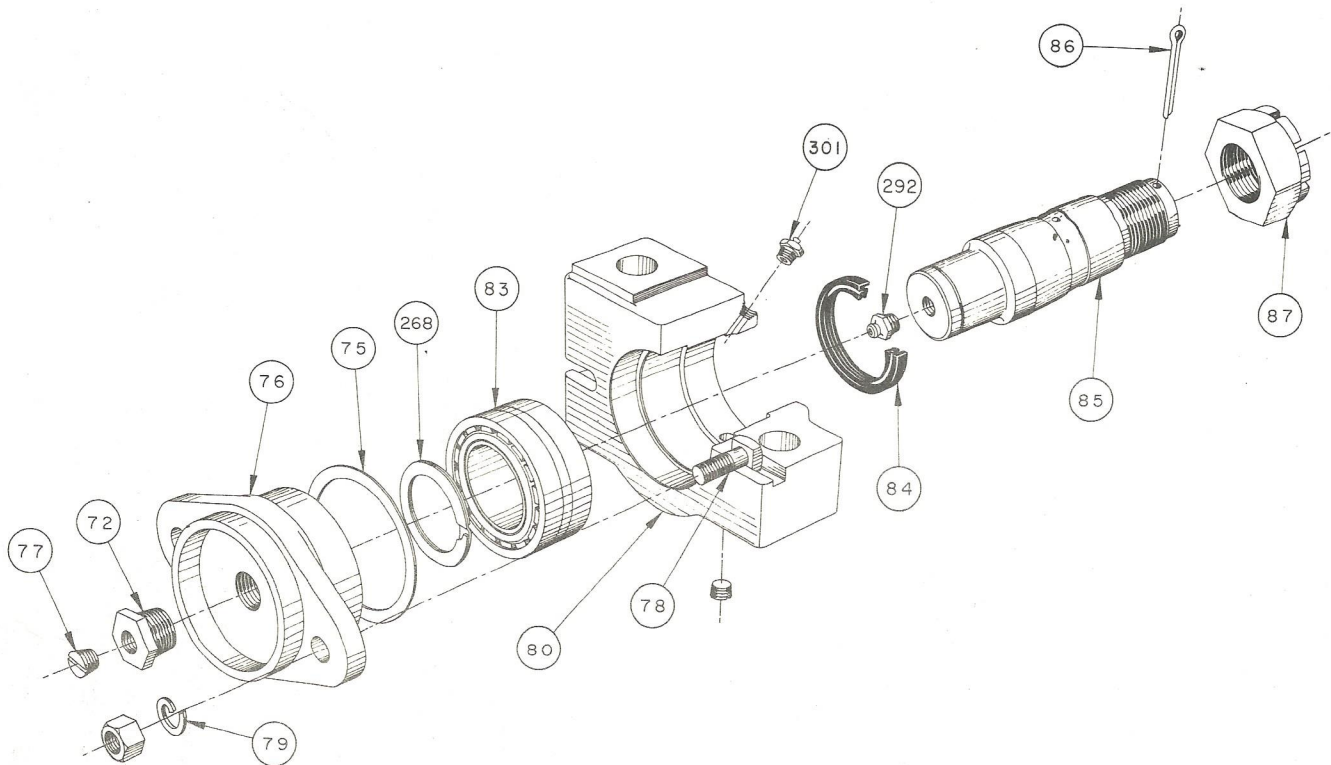
# Bethlehem PUMPING UNITS



## 2SDB GEAR REDUCER

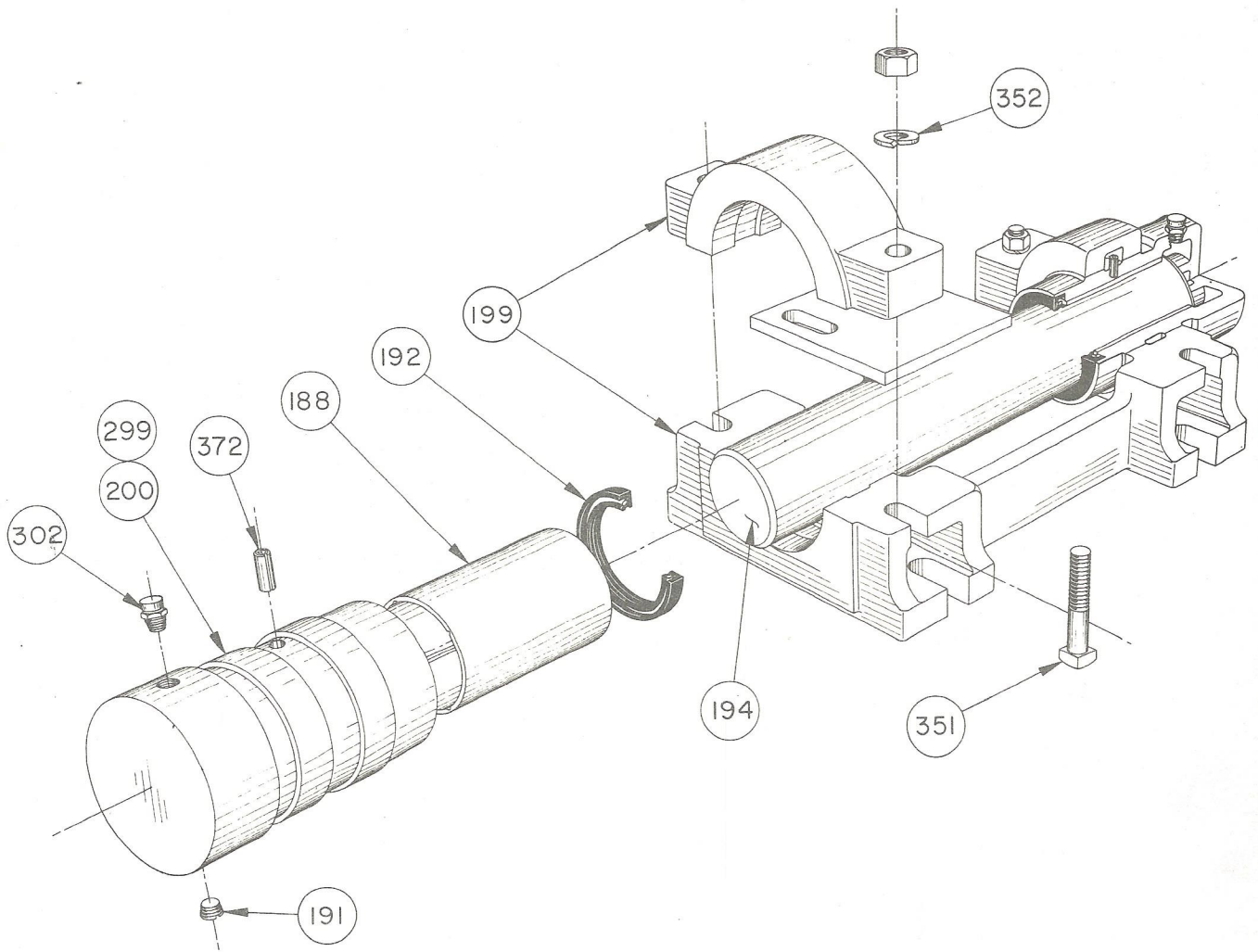
Item No.	Part No.	Description	No. Req'd.	Item No.	Part No.	Description	No. Req'd.
6	902292	Cap Screw, Inspection Cover 1/2 x 3-1/2 w/Nut	2	33F	AP06565	Gasket, Bearing Carrier, S.S. Pinion	2
8	BM 31575	Inspection Cover	1	35	BM 06905	H. S. Pinion	1
9	AP 12944	Breather	1	36	AM 27340	Oil Seal, H.S. Shaft	2
11	923803	Pipe Plug (3/8" Sq. Hd.)	1	36A	AP 27341	Slinger, H. S. Oil Seal	2
12	923810	Pipe Plug, Oil Drain (1" Sq. Hd.)	1	37	BM 25686	S.S. Pinion and H.S. Gear Assembly	1
14	923203	3/8" Street Ell	1	38	952008	Bearing, S.S. Pinion	2
26	BM 06373	Crankshaft	1	42	BM 25681	Slow Speed Gear	1
27	BM 06367	Bearing Carrier, S.S. Pinion	2	45	BM 27620	Bushing, Crankshaft	2
28	AP 06549	Snap Ring, S.S. Pin. Bearing Carrier	2	46	AM 16506	Lock Washer, Oil Wiper	4
30	952007	Bearing, H.S. Pinion	2	47	907168	Cap Screw, Oil Wiper, 3/8 x 1	4
31	BM 06368	Bearing Carrier, H.S. Pinion	2	48	AM 06405	Key, S.S. Gear to Crankshaft	1
32	AP 06550	Snap Ring, H.S. Pin. Bearing Carrier	2	53	AM 16507	Blade, Oil Wiper	2
33	AM 28269	Gaskets for Gear Box, Set Complete, except Inspection Cover	1	55	AM 05433	Oil Wiper Pin, Hanger to Bracket	2
33A	AP06565	Gasket, Bearing Carrier, H. S. Pin.	2	56	AM 16499	Bracket, Oil Wiper	2
33C	AP 27623	Gasket, Crankshaft Oil Seal	2	56A	AM 16513	Oil Wiper Assembly (Items 53, 55 & 56)	2
				344	AP 31608	Gasket, Inspection Cover	1

# Bethlehem PUMPING UNITS



<u>Item No.</u>	<u>Part No.</u>	<u>Description</u>	<u>No. Req'd.</u>
	CM 34439	WRIST PIN BEARING ASSEMBLY #6S	2
72	925122	Bushing	2
75	AP 34863	Gasket, W. P. Bearing Housing	2
76	CM 34393	Cap, Bearing	2
77	927901	Pipe Plug	2
78	902282	Bolt, Mach. w/Hex Nut 1/2 x 2	4
79	904108	Lock Washer - 1/2"	4
80	CM 34399	Housing, W.P. Bearing	2
83	AP 34233	Bearing, Spherical Roller	2
84	920280	Oil Seal	2
85	BM 34499	Wrist Pin	2
86	916264	Cotter Key	2
87	AM 11314	Nut, Wrist Pin	2
268	918178	Snap Ring	2
292	AP 34160	Alemite Fitting	2
301	AP 34160	Alemite Relief Fitting	2

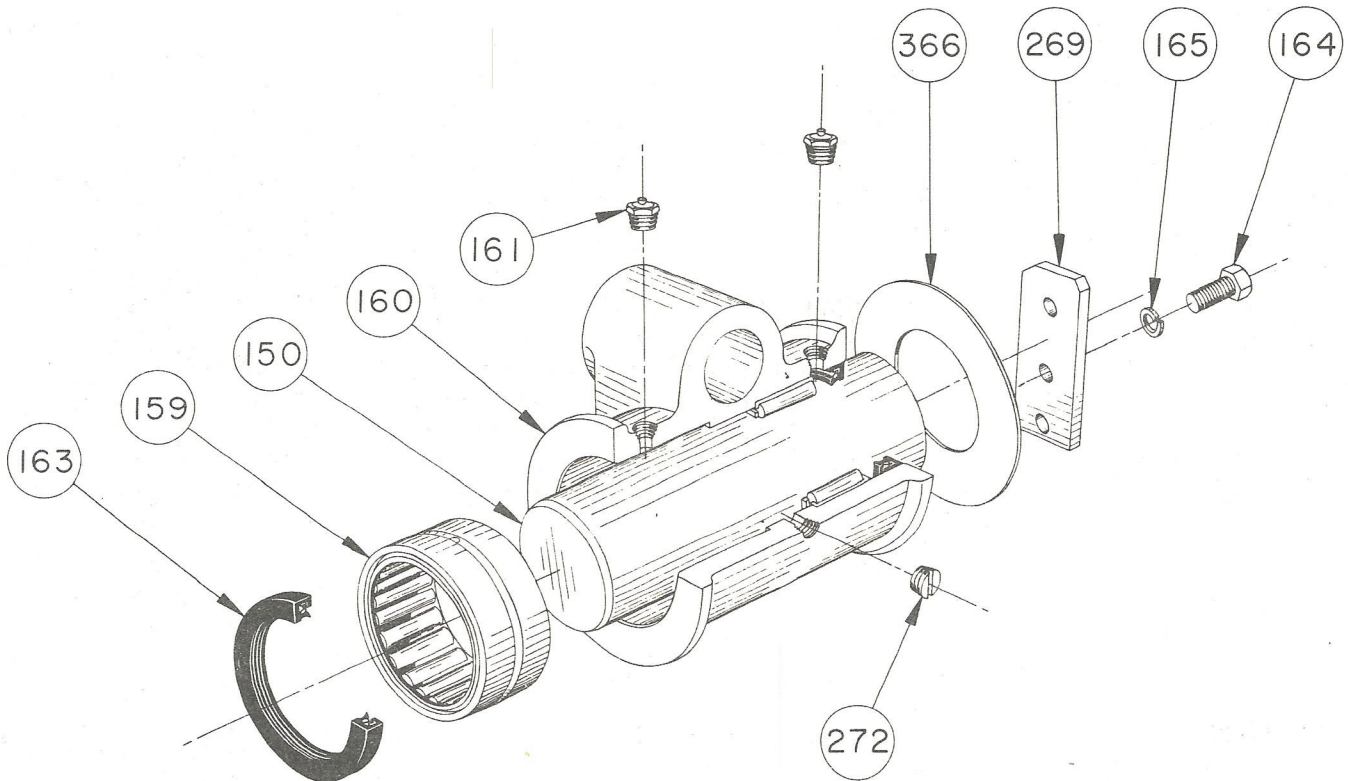
# Bethlehem PUMPING UNITS



<u>Item No.</u>	<u>Part No.</u>	<u>Description</u>	<u>No. Req'd.</u>
	AM 31292	Saddle Bearing Assembly - 6CA	1
188	AM 04780	Bushing, Center Bearing	2
191	927901	Pipe Plug	3
192	920350	Oil Seal	2
194	BM 18128	Saddle	1
199	AM 31370	Assembly, Base and Cap	1
200	AM 31404	Assembly, Bearing Housing with Bushing and Seal	2
299	BM 31367	Bearing Housing	1
302	AP 32404	Alemite Relief Fitting	1
351	902382	Bolt, Mach. w/Hex Nut 5/8" x 3-1/2"	4
352	904112	Lock Washer, 5/8"	4
372	AM 31369	Roll Pin, Bearing Housing to Cap	2



# Bethlehem PUMPING UNITS



Item No.	Part No.	Description	No. Req'd.
		ASSEMBLY, EQUALIZER BEARING #7R	1
150	AM 29496	Shaft, Equalizer Bearing	1
159	AM 27083	Bearing, Caged Roller	2
160	BM 27078	Box, Equalizer Bearing	1
161	AP 04811	Alemite Relief Fitting, Equalizer Bearing	2
163	920330	Oil Seal, Equalizer Bearing	4
164	907248	Cap Screw, Equalizer Bearing Shaft	3
165	904108	Lock Washer, Shaft Cap Screw	3
269	AM 27081	Retainer, Shaft, Equalizer Bearing	1
272	927901	Pipe Plug, Equalizer Bearing	1
366	AM 20034	Shim, Equalizer Bearing Shaft	1