

# Bethlehem API PUMPING UNITS

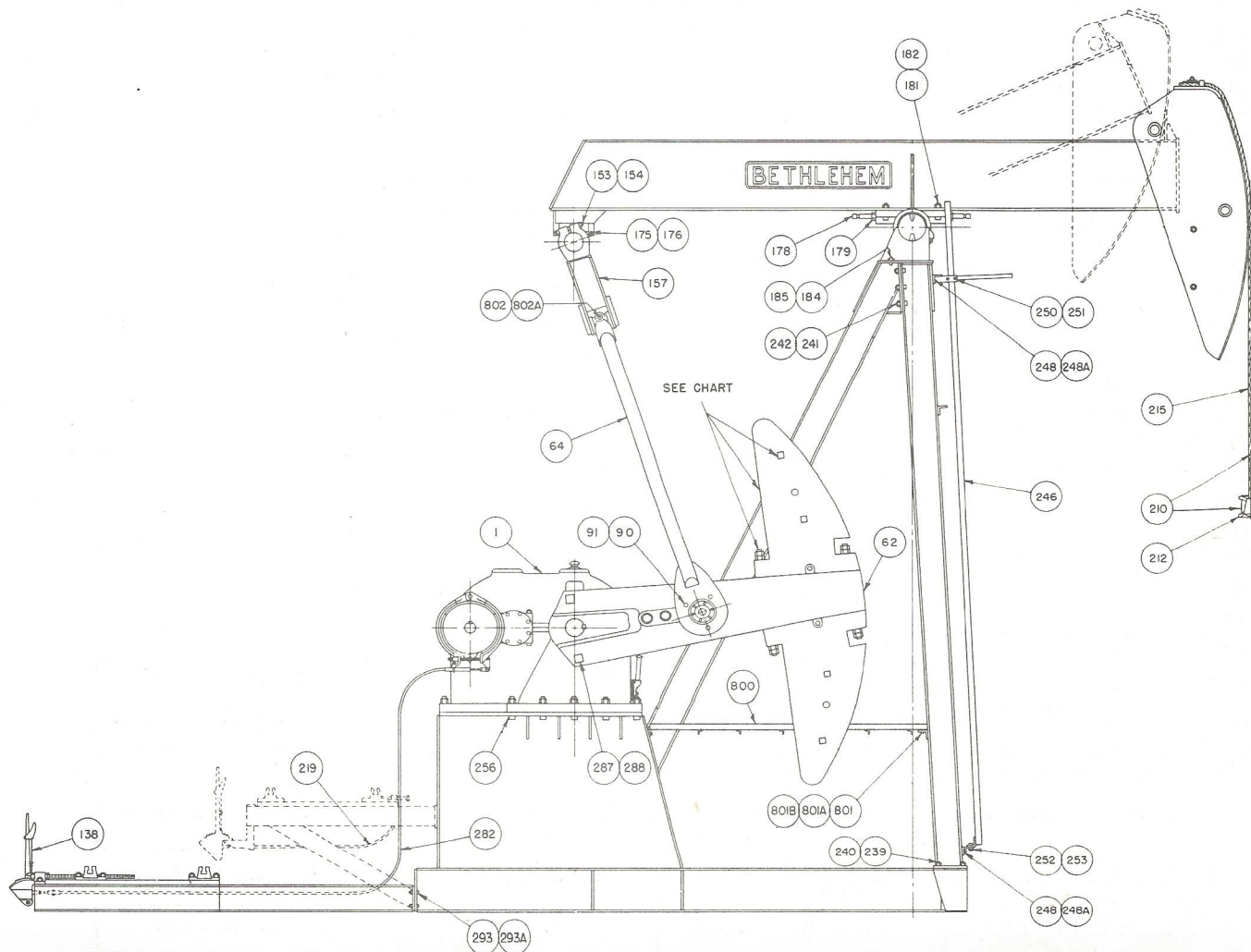
## PARTS LIST

456-256-120

### INSTRUCTIONS FOR ORDERING PARTS

The following information must be furnished with all orders for BETHLEHEM API Pumping Unit Parts:

1. Structural designation of Unit, e. g. 456-256-120
2. Serial Number of Unit (This number is stamped on gear box name plate.)



STRUCTURAL COMPONENTS

Item No.	Part No.	Description	No. Req'd.
1	DM-27064	Assembly, Reducer, 456DC	1
62	DM-29266	Crank, 8495-B	2
64	BM-34148	Pitman, 8' - 7-1/8" Centers	2
90	907502	Screw, Cap, 7/8" x 2-3/4" (Pitman to Wrist Pin)	6
91	904116	Washer, Lock, 7/8" (Pitman to Wrist Pin)	6
153	902672	Bolt, Mach. w/Hex Nut 1" x 8-1/2" (Cross Beam to Tail Bearing)	2
154	904118	Washer, Lock, 1" (Cross Beam to Tail Bearing)	2
157	CM37008	Cross Beam	1
175	902672	Bolt, Mach. w/Hex Nut 1" x 8-1/2" (Tail Bearing to Beam)	2
176	904118	Washer, Lock, 1" (Tail Bearing to Beam)	2
178	VM12425	Jack Screw (Adjusting Bolt, Beam)	2
179	903120	Nut, Hex Jam 1-1/4"	2
181	902838	Bolt, Mach. w/Hex Nut 1-1/4" x 5" (Saddle to Beam)	4
182	904122	Washer, Lock, 1-1/4" (Saddle to Beam)	4
184	902932	Bolt, Mach. w/Hex Nut 1-1/2" x 6" (Saddle Bearing to Post)	4
185	904124	Washer, Lock, 1-1/2" (Saddle Bearing to Post)	4
210	BM-30336	Assembly, Wire Line	1
212	CM-10823	Carrier Bar	1
215		Wire Line, Size 1-1/8" x 29'-0"	1
219	BP-13467	Brake Cable 10'-6", Elevated Electric Motor	1
239	902830	Bolt, Mach. w/Hex Nut 1-1/4" x 3" (Post to Base)	12
240	904122	Washer, Lock, 1-1/4" (Post to Base)	12
241	902644	Bolt, Mach. w/Hex Nut 1" x 2-1/4" (Rear to Front Post Leg)	12
242	904118	Washer, Lock, 1" (Rear to Front Post Leg)	12
246	BM-29709	Ladder	1
248	902462	Bolt, Mach. w/Hex Nut 3/4" x 2" (Ladder Bracket to Post)	3
248-A	904114	Washer, Lock, 3/4" (Ladder Bracket to Post)	3
250	902286	Bolt, Mach. w/Hex Nut 1/2" x 2-1/2" (Clamps Upper Ladder Bracket)	4
251	904108	Washer, Lock, 1/2" (Clamps Upper Ladder Bracket)	4
252	902276	Bolt, Mach. w/Hex Nut 1/2" x 1-1/4" (Ladder to Lower Bracket)	2
253	904108	Washer, Lock, 1/2" (Ladder to Lower Bracket)	2
256	902840	Bolt, Mach. w/Hex Nut, 1-1/4" x 5-1/2" (Reducer to Sub Base)	12
282	BP-13933	Brake Cable 14'-0", High Speed Engine	1
287	902940	Bolt, Mach. w/Hex Nut 1-1/2" x 8" (Counterweight Stop)	4
288	904124	Washer, Lock, 1-1/2" (Counterweight Stop)	4
293	902464	Bolt, Mach. w/Hex Nut 3/4" x 2-1/4" (Base Joint)	4
293-A	904014	Washer, Cut, 3/4" (Base Joint)	8
800	CM34196	Platform, Working	1
801	902370	Bolt, Mach. w/Hex Nut 5/8" x 1-3/4" (Working Platform)	4
801-A	904112	Washer, Lock, 5/8" (Working Platform)	4
801-B	904012	Washer, Cut, 5/8" (Working Platform)	4
802	902844	Bolt, Mach. w/Hex Nut 1-1/4" x 6-1/2" (Upper Pitman Connection)	2
802-A	904122	Washer, Lock, 1-1/4" (Upper Pitman Connection)	2

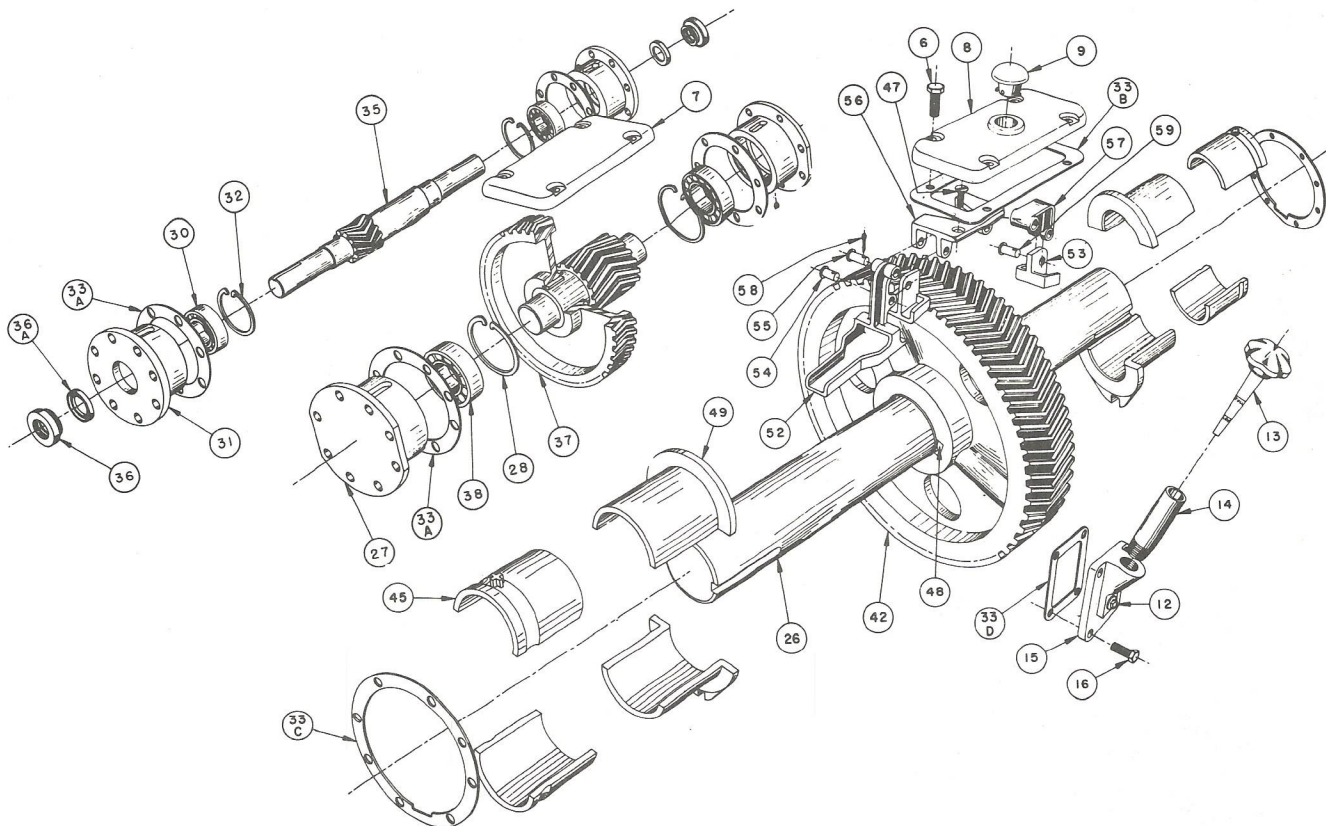
COUNTERWEIGHT BOLTS: QUANTITY, SIZE, PART NUMBER

Counter Weight	95R - DM 34297	78R - DM 34706	68R - DM 34662
Size and Part Number	95L - DM 34449	78L - DM 34707	68L - DM 34663
Quantity of Bolts	2 Bolts	2 Bolts	2 Bolts
Bolt Size and Part Number	1-1/2" x 11-1/2" A-6672	1-1/4" x 11" A-5051	1-1/4" x 11" A-5051

FILLERWEIGHT BOLTS: QUANTITY, SIZE, PART NUMBER

Filler Weight	95 CF-34303	78 CF-34708	68 DF-34688
Quantity of Bolts	2 Bolts	2 Bolts	2 Bolts
Bolt Size and Part Number	1" x 10" A-34839	1" x 10" A-34839	1" x 10" A-34839

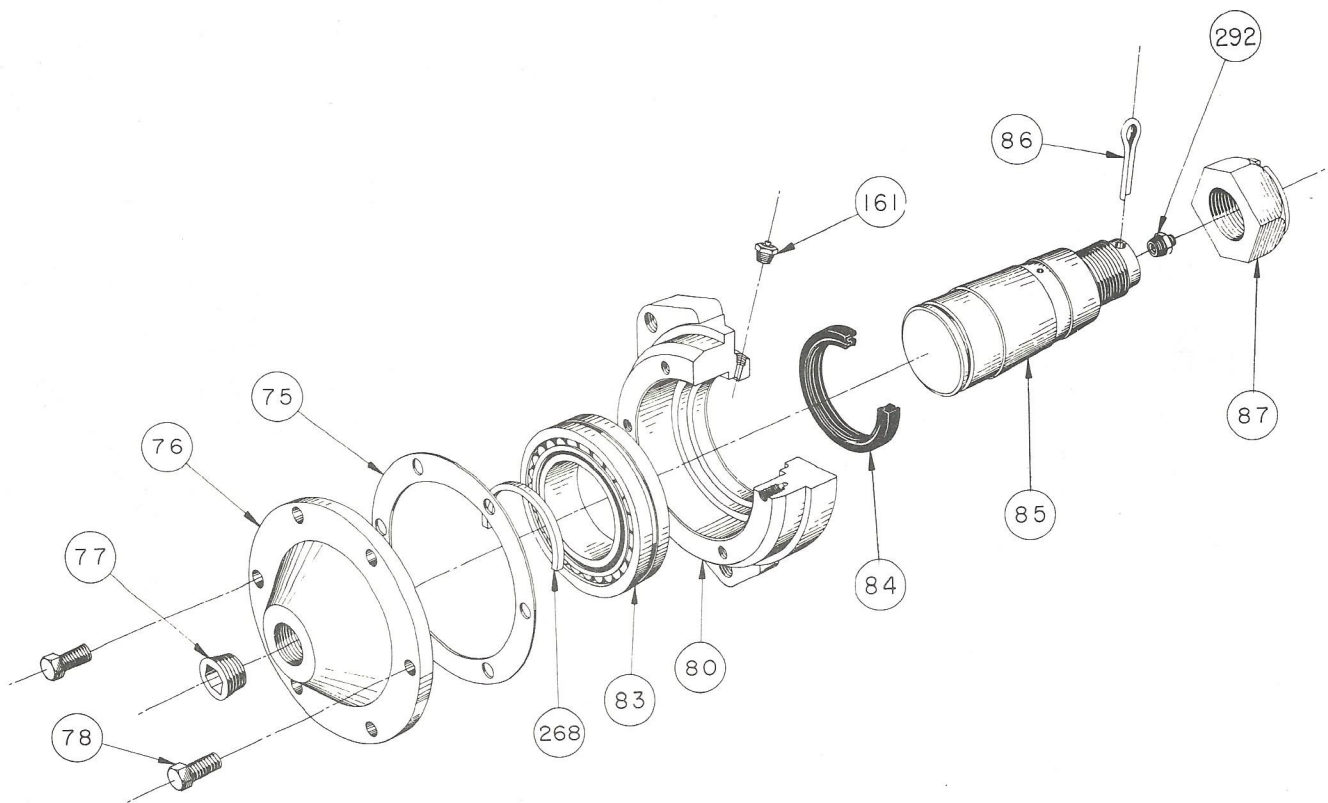
# Bethlehem PUMPING UNITS



## 456DC GEAR REDUCER

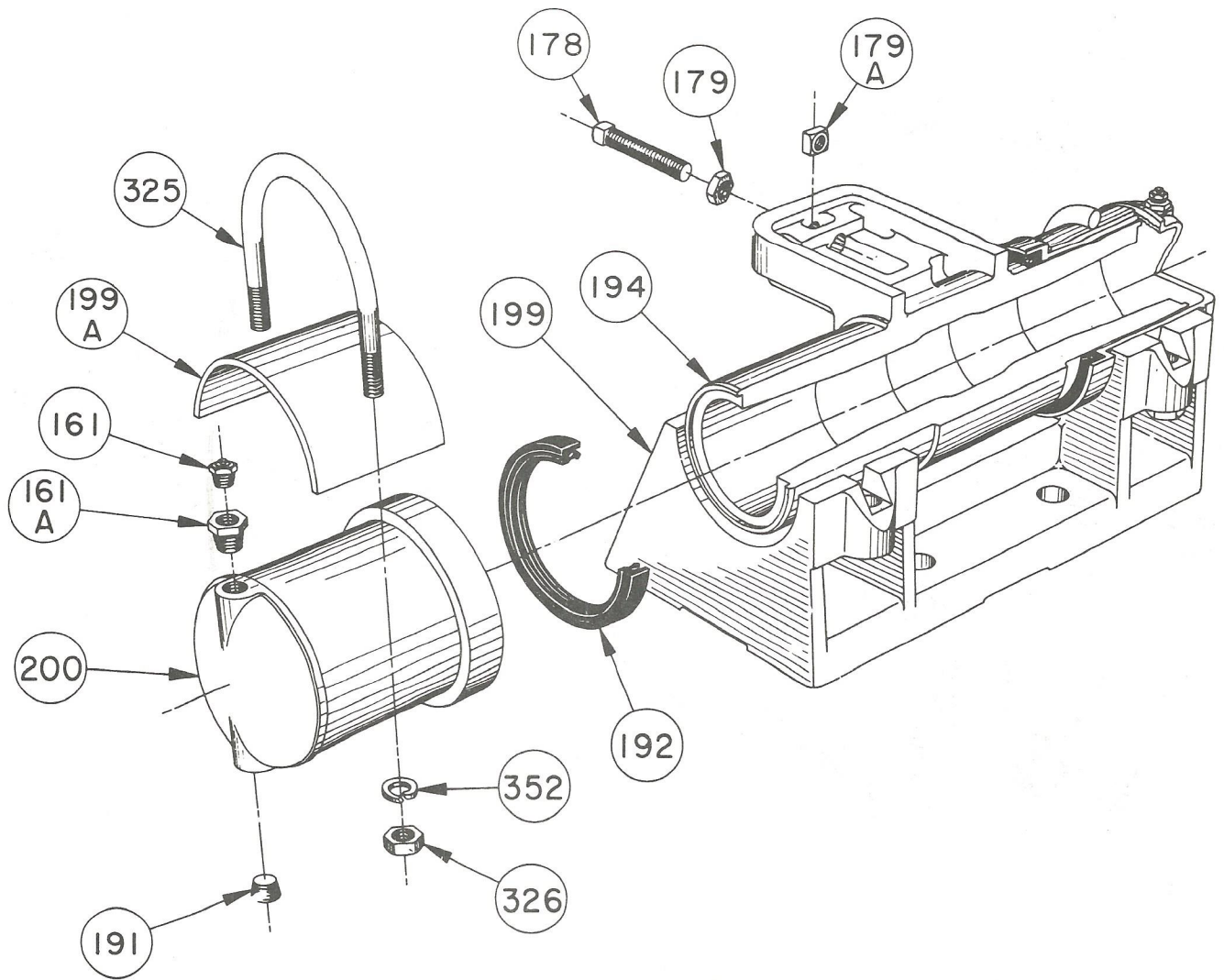
Item No.	Part No.	Description	No. Req'd.	Item No.	Part No.	Description	No. Req'd.
6	907254	Cap Screw, Inspection Cover, 1/2" x 1-1/34"	8	35	BM 09627	H. S. Pinion	1
7	BM 08551	Inspection Cover H. S. Shaft	1	36	AM 27043	Oil Seal, H. S. Shaft	2
8	BM 08552	Inspection Cover L. S. Shaft	1	36A	AP 27044	Slinger, H. S. Oil Seal	2
9	AP 12944	Breather	1	37	CM 09632	S. S. Pinion and H. S. Gear Assembly	1
12	923810	Pipe Plug, Oil Drain (1" Sq. Hd.)	1	38	952024	Bearing, S. S. Pinion	2
13	BP 08761	Oil Gage	1	42	CM 09630	Slow Speed Gear	1
14	AM 29838	Oil Gage Pipe	1	45	BM 08575	Outer Bronze Bushing, Crankshaft,	2
15	AM 09901	Cover Plate, Oil Drain	1	46	904108	Lock Washer, Oil Wiper (1/2" Not Shown (on 47))	2
16	907250	Cap Screw, Cover Plate 1/2" x 1-1/4"	4	47	907250	Cap Screw, Oil Wiper (1/2" x 1-1/4")	2
26	BM 14856	Crankshaft	1	48	AM 08570	Key, S. S. Gear to Crankshaft	1
27	BM 09658	Bearing Carrier, S. S. Pinion	2	49	BM 08576	Bronze Bushing, Crankshaft, Inner	2
28	AP 09654	Snap Ring, S. S. Pinion Bearing Carrier	2	52	Not Used	Spout, Oil Wiper (Integral w/Item 56)	
30	952020	Bearing, H. S. Pinion	2	53	AM 20852	Blade, Oil Wiper	2
31	BM 09659	Bearing Carrier, H. S. Pinion	2	54	AM 05022	Pin, Blade to Hanger	2
32	AP 06629	Snap Ring, H. S. Pinion Bearing Carrier	2	55	AM 04667	Oil Wiper Pin, Hanger to Bracket	2
33	AM 09652	Gaskets for Gear Box, Set Complete	1	56	CM 08555	Bracket, Oil Wiper	1
33A	AP 08565	Gasket, Bearing Carrier, H. S. Pinion, S. S. Pinion	4	57	AM 06626	Hanger, Oil Wiper Blade	2
33B	AP 08564	Gasket, Inspection Covers	2	58	916046	Cotter, Oil Wiper Pins 1/8" x 1"	4
33C	AP 09653	Gasket, Crankshaft Oil Seal	2	59	Not Used	Oil Wiper Pin, Blade to Hander (Same as 54)	
33D	AP 09480	Gasket, Oil Drain Cover Plate	1				

# Bethlehem PUMPING UNITS



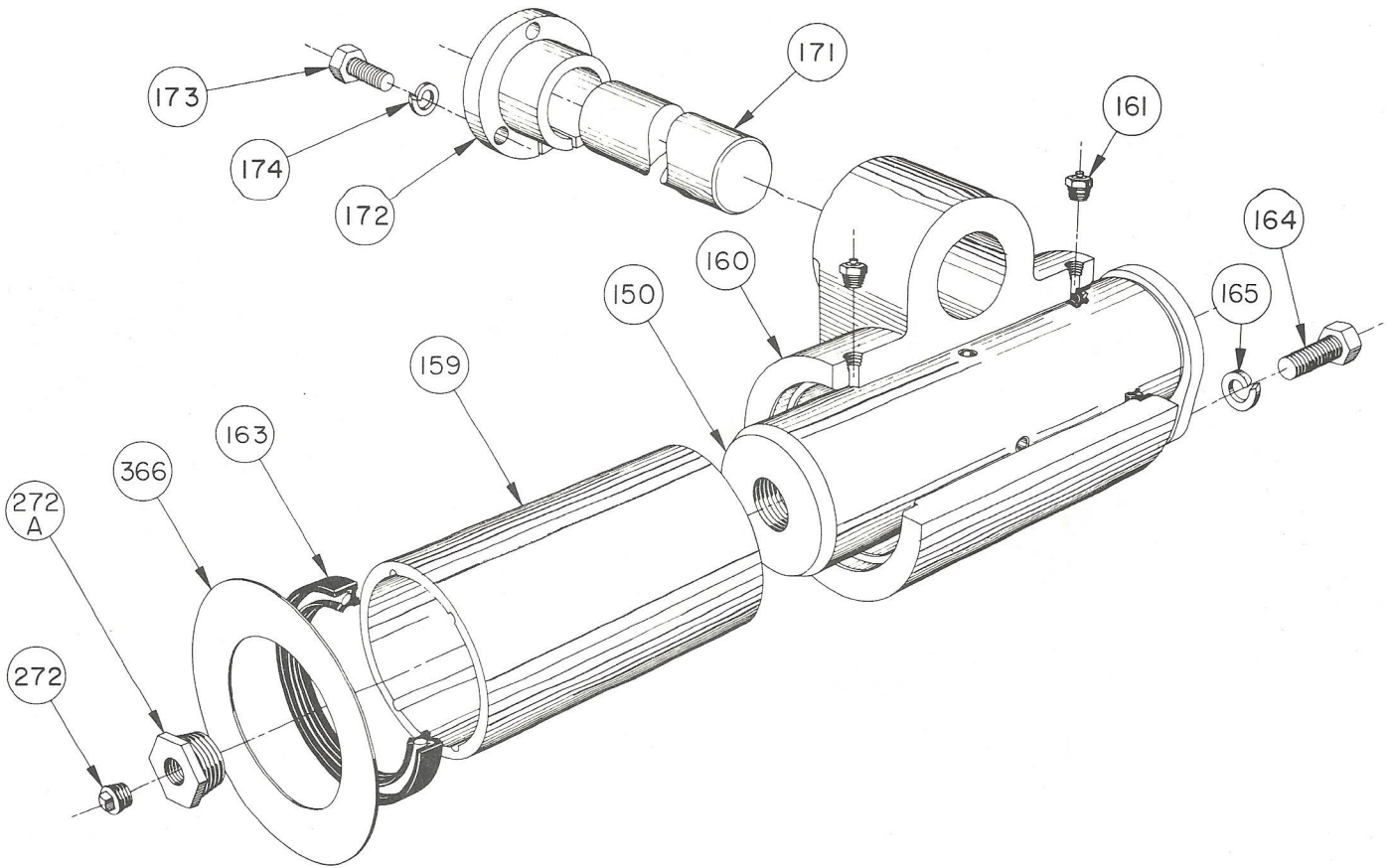
<u>Item No.</u>	<u>Part No.</u>	<u>Description</u>	<u>No. Req'd.</u>
	CM 34343	WRIST PIN BEARING ASSEMBLY #2SL	2
75	AP 29258	Gasket, W. P. Bearing Housing	2
76	CM 29259	Cap, Bearing	2
77	923907	Pipe Plug	2
78	907250	Cap Screw Hex Head	12
80	CM29256	Housing, W. P. Bearing	2
83	AP 15501	Bearing, Spherical Roller	2
84	E 920470	Oil Seal	2
85	BM 34341	Wrist Pin	2
86	916270	Cotter Key	2
87	AM 06769	Nut, Wrist Pin	2
161	AP 34160	Alemite Relief Fitting 1/8" #317400	2
268	AP 29257	Snap Ring	2
292	AP 14327	Alemite Fitting	2

# Bethlehem PUMPING UNITS



<u>Item No.</u>	<u>Part No.</u>	<u>Description</u>	<u>No. Req'd.</u>
		ASSEMBLY, SADDLE BEARING - #C125	1
161	AP34160	Alemite Relief Fitting, 1/8" #317400	2
161-A	925042	Pipe Bushing, 3/8" x 1/8"	2
178	VM 12425	Bolt, Adjusting 1-1/4" x 8"	2
179	903120	Nut, Hex Jam 1-1/4"	2
179-A	E 765032	Nut, Square 1-1/4"	2
191	923903	Pipe Plug, Flush 3/8"	2
192	920900	Oil Seal, 9-1/2" OD x 8" ID x 3/4"	4
194	YM 60402	Saddle	1
199	XM 60395	Saddle Bearing Base	1
199-A	VM 60392	Saddle Bearing Cap	2
200	XM 60397	Bushing, Saddle	2
325	VM 60393	U-Bolt 1-1/4"	2
326	903020	Nut, Hex 1-1/4"	4
352	904122	Lock Washer 1-1/4"	4

# Bethlehem PUMPING UNITS



<u>Item No.</u>	<u>Part No.</u>	<u>Description</u>	<u>No. Req'd.</u>
		ASSEMBLY, EQUALIZER BEARING #E-60	1
150	BM 34127	Shaft, Equalizer Bearing	1
159	AM 34115	Bushing, Equalizer Bearing	1
160	BM 34109	Housing, Equalizer Bearing	1
161	AP 34160	Alemite Relief Fitting 1/8" #317400	2
163	E 920710	Oil Seal	2
171	AM 28305	Pin, Equalizer Bearing to Beam	1
172	AM 28311	Adjusting Bushing, Bearing to Beam	1
173	907416	Cap Screw, for Adj. Bushing	3
174	904114	Lockwasher	3
272	923802	Pipe Plug	1
272-A	925284	Pipe Bushing	1
366	AM 24597	Shim, Equalizer Bearing	1