

Bethlehem PUMPING UNITS

PARTS LIST

57-109-48

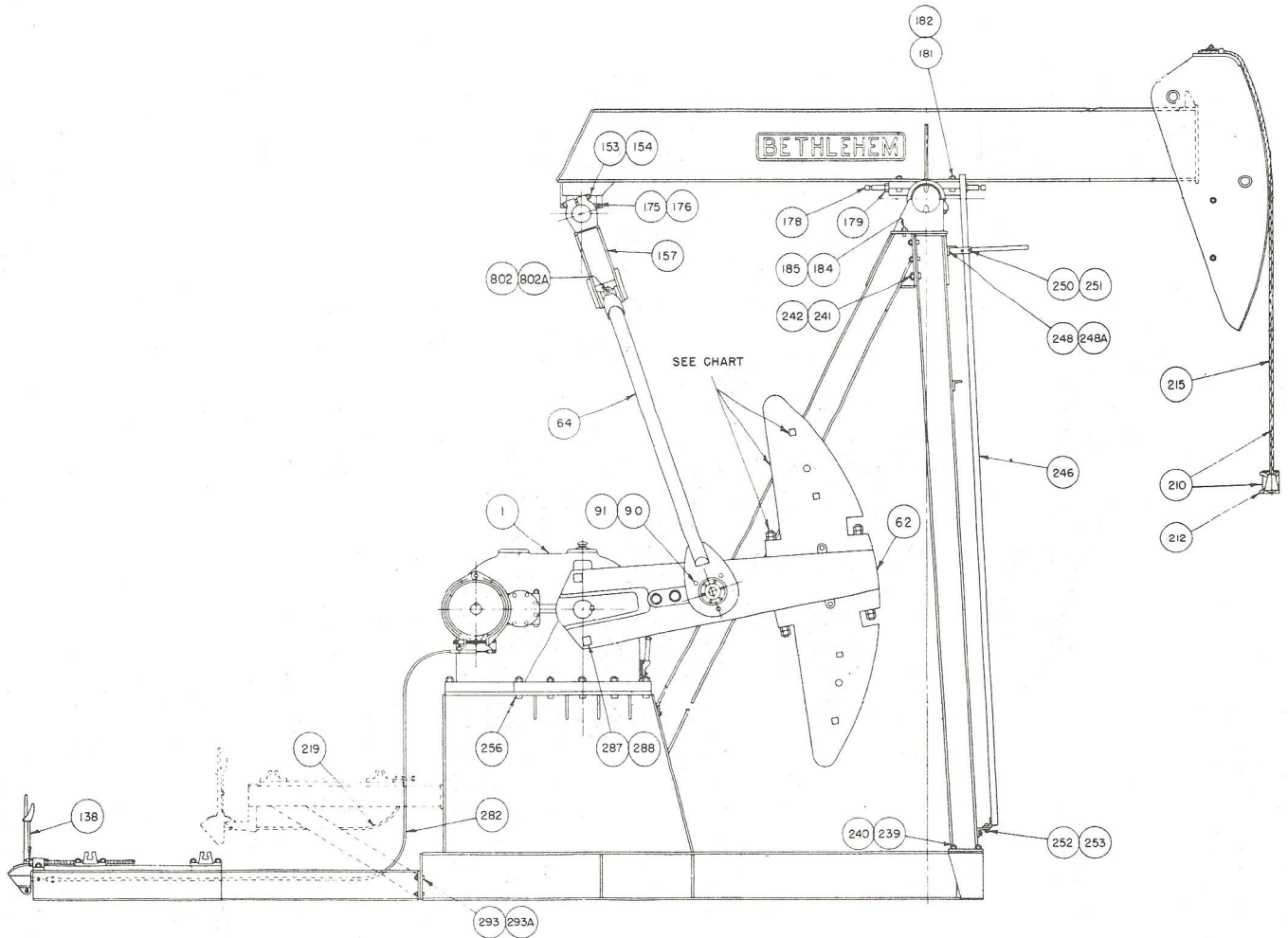
57- 95-48

57-109-42

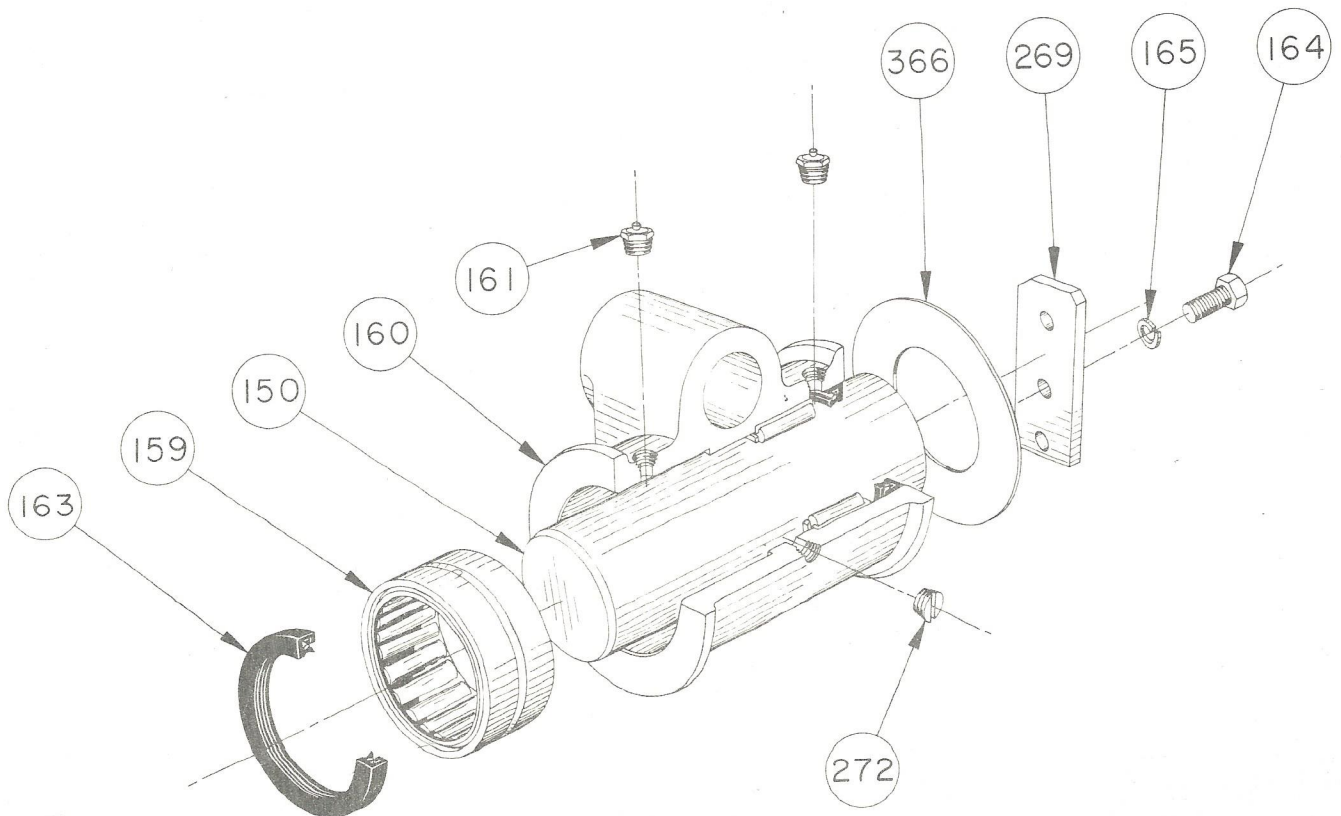
INSTRUCTIONS FOR ORDERING PARTS

The following information must be furnished with all orders for BETHLEHEM API Pumping Unit Parts:

1. Structural designation of Unit, e. g. 57-109-48
2. Serial Number of Unit (This number is stamped on gear box name plate.)

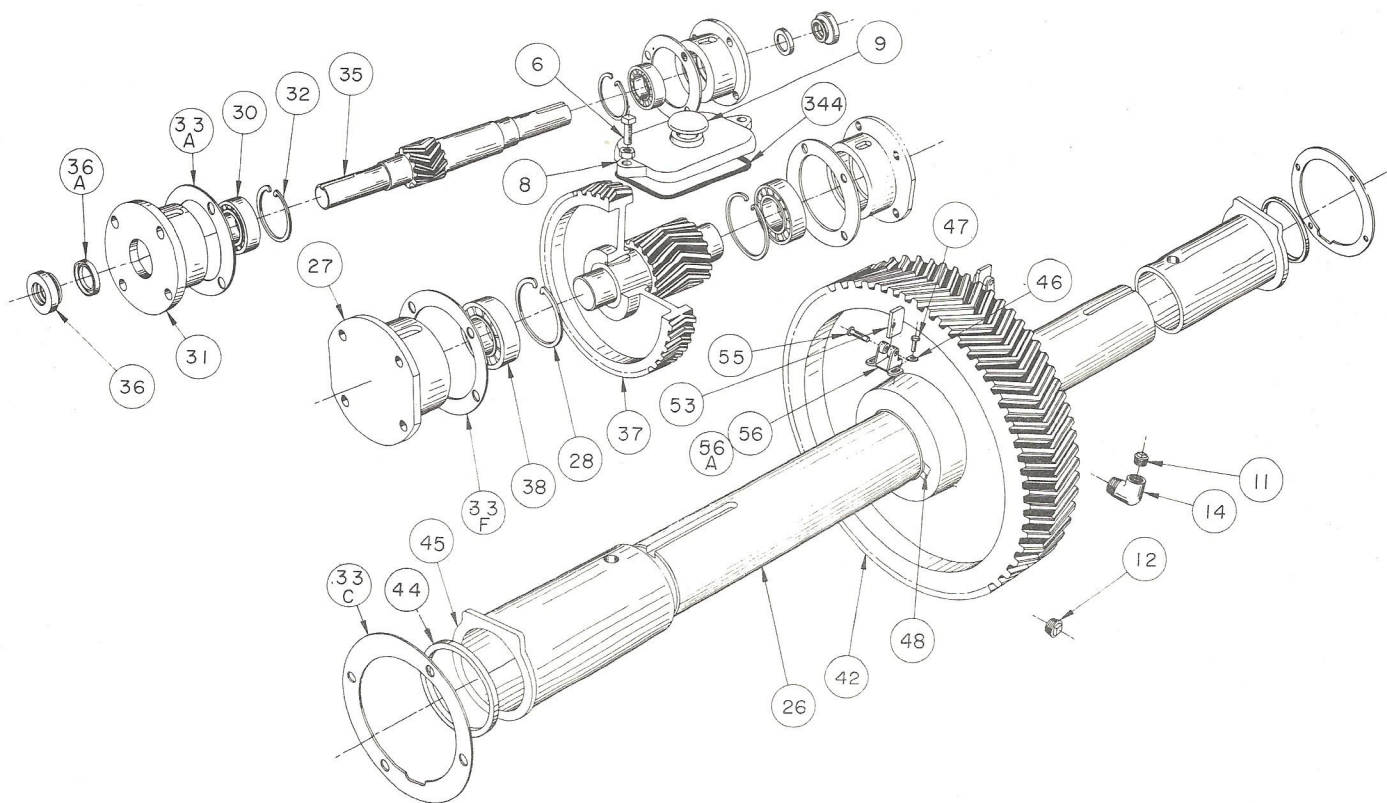


Bethlehem PUMPING UNITS



<u>Item No.</u>	<u>Part No.</u>	<u>Description</u>	<u>No. Req'd.</u>
		ASSEMBLY, EQUALIZER BEARING #7R	1
150	AM 29496	Shaft, Equalizer Bearing	1
159	AM 27083	Bearing, Caged Roller	2
160	BM 27078	Box, Equalizer Bearing	1
161	AP 04811	Alemite Relief Fitting, Equalizer Bearing	2
163	920330	Oil Seal, Equalizer Bearing	4
164	907248	Cap Screw, Equalizer Bearing Shaft	3
165	904108	Lock Washer, Shaft Cap Screw	3
269	AM 27081	Retainer, Shaft, Equalizer Bearing	1
272	927901	Pipe Plug, Equalizer Bearing	1
366	AM 20034	Shim, Equalizer Bearing Shaft	1

Bethlehem PUMPING UNITS



57DC GEAR REDUCER

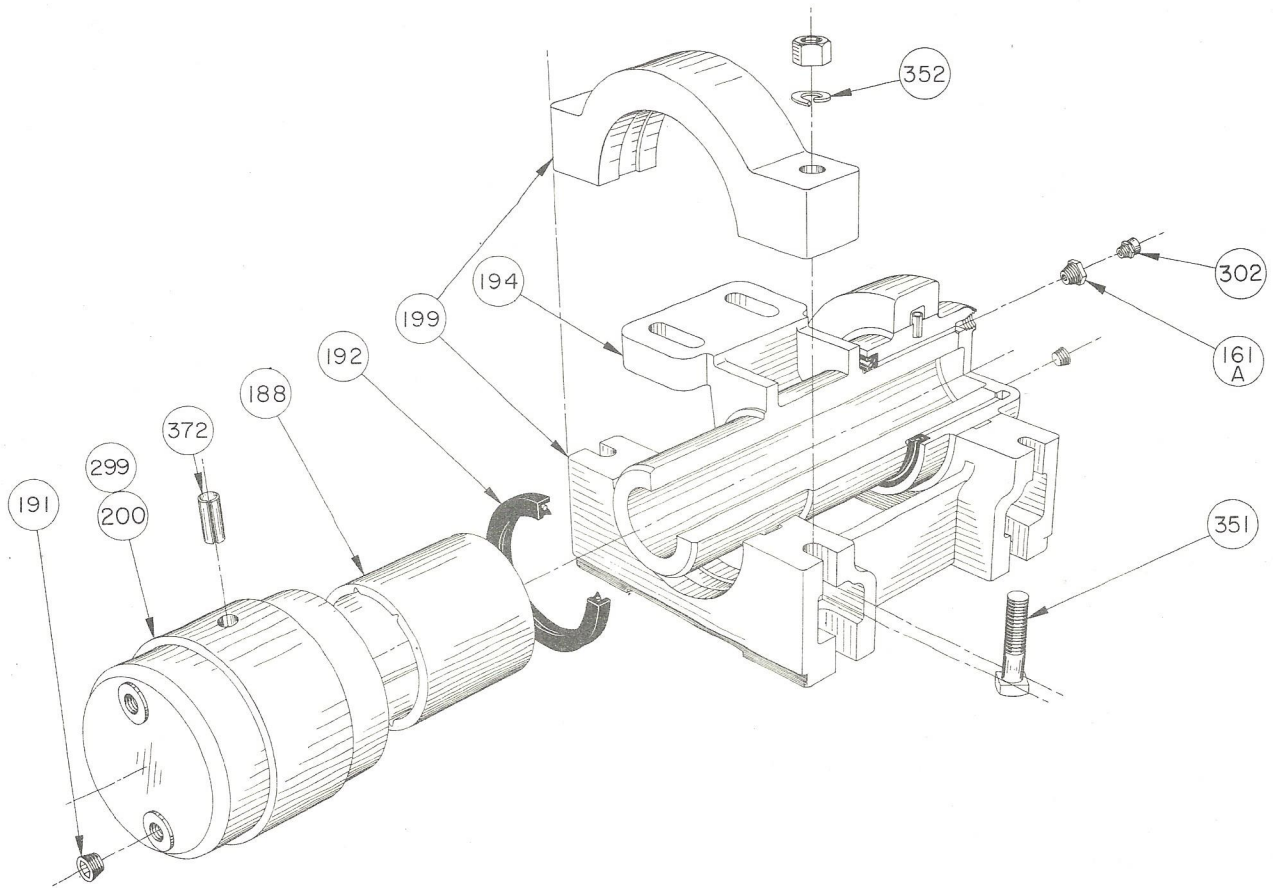
Item No.	Part No.	Description	No. Req'd.	Item No.	Part No.	Description	No. Req'd.
6	902292	Bolt, Inspection Cover, 1/2x3-1/2 w/Nut	2	35	BM 35506	H. S. Pinion	1
8	BM 35489	Inspection Cover	1	36	Not Used	Oil Seal, H.S. Shaft	
9	AP 12944	Breather	1	36A	AM 35564	Slinger, H. S. Shaft	2
11	923803	Plug (3/8" Sq. Hd. Pipe)	1	37	BM 25675	S. S. Pinion & H. S. Gear Assy.	1
12	923810	Plug (1" Sq. Hd. Pipe)	1	38	952012	Bearing, S. S. Pinion	2
14	923203	Street Ell (3/8")	1	42	CM25674	S. S. Gear	1
26	BM 05121	Crank Shaft (or S. S. Shaft)	1	44	BM 27022	Slinger, S. S. Shaft	2
27	AM 05087	S. S. Pinion Bearing Carrier	2	45	BM 35452	Bushing, Crank Shaft	2
28	AF 05025	S. S. Pinion Bearing Carrier Snap Ring	2	46	AM 16506	Lock Washer, Oil Wiper	4
30	952010	H. S. Pinion Bearing	2	47	907168	Capscrew, Oil Wiper 3/8 x 1	4
31	BM 35520	H. S. Pinion Bearing Carrier	2	48	AM 05109	Key, S. S. Gear	1
32	AP05089	H. S. Pinion Bearing Carrier Snap Ring	2	53	AM 35557	Blade, Oil Wiper	2
33	AM 36104	Gaskets, Complete Set (Except Inspection Cover)	1	55	AM 05433	Pin, Blade to Bracket	2
33A	AP07660	H. S. Pinion Bearing Carrier, Gasket	2	56	BM 31483	Bracket, Oil Wiper	2
33C	AP 36232	Gasket, Crankshaft Oil Seal	2	56A	AM 35560	Assembly, Oil Wiper (Items 53, 55 & 56)	2
33F	AP 07660	Gasket, S. S. Pinion Bearing Carrier	2	344	AP 35550	Gasket, Inspection Cover	1

STRUCTURAL COMPONENTS

Item No.	Part No.	Description	No. Req'd.
1	DM 35450	Assembly, Reducer, 57DC	1
62	DM 29552	Crank, 4246-B	2
64	BM 37022	Pitman, 45-5/8" Centers	2
90	902766	Bolt, Mach. w/Hex Nut 1-1/8"x9-1/2 (Pitman to Wrist Pin)	4
91	903118	Nut, Jam, 1-1/8" (Pitman to Wrist Pin)	4
153		Not Used	
154		Not Used	
157	CM 37021	Cross Beam	1
175	902480	Bolt, Mach. w/Hex Nut 3/4 x 5-1/2" (Tail Bearing to Beam)	2
176	904114	Washer, Lock, 3/4" (Tail Bearing to Beam)	2
178		Not Used	
179		Not Used	
181	902472	Bolt, Mach. w/Hex Nut 3/4"x 3-1/2" (Saddle to Beam)	4
182	904114	Washer, Lock, 3/4" (Saddle to Beam)	4
184	902654	Bolt, Mach. w/Hex Nut 1"x 4" (Saddle Bearing to Post)	4
185	904118	Washer, Lock, 1" (Saddle Bearing to Post)	4
210	BM 30335	Assembly, Wire Line (109-48 and 95-48)	1
210	BM 30334	Assembly, Wire Line (109-42)	1
212	CM 10828	Carrier Bar (109-48 and 95-48)	1
212	BM 10827	Carrier Bar (109-42)	1
215		Wire Line, Size 7/8"x14'-0" (109-48 and 95-48)	1
215		Wire Line, Size 7/8" x 12'-6" (109-42)	1
219	BP-21610	Brake Cable 7'-0" Elevated Electric Motor	1
239	902554	Bolt, Mach. w/Hex Nut 7/8" x 2-1/4" (Post to Base)	8
240	904116	Washer, Lock, 7/8" (Post to Base)	8
241	902372	Bolt, Mach. w/Hex Nut 5/8" x 2" (Rear to Front Post Leg)	12
242	904112	Washer, Lock, 5/8" (Rear to Front Post Leg)	12
246	BM 36832	Ladder	1
248	902460	Bolt, Mach. w/Hex Nut 3/4" x 1-3/4" (Ladder Bracket to Post)	1
248-A	904114	Washer, Lock, 3/4" (Ladder Bracket to Post)	1
250	902280	Bolt, Mach. w/Hex Nut 1/2"x1-3/4" (Clamps Upper Ladder Bracket)	4
251	904108	Washer, Lock, 1/2" (Clamps Upper Ladder Bracket)	4
252	902460	Bolt, Mach. w/Hex Nut 3/4"x1-3/4" (Ladder to Base)	2
253	904114	Washer, Lock, 3/4" (Ladder to Base)	2
256	902654	Bolt, Mach. w/Hex Nut, 1"x4" (Reducer to Sub Base)	9
282	BP 13467	Brake Cable 10'-6" High Speed Engine	1
287	902484	Bolt, Mach. w/Hex Nut 3/4"x6=1/2" (Counterweight Stop)	4
288	904114	Washer, Lock, 3/4" (Counterweight Stop)	4
293	902464	Bolt, Mach. w/Hex Nut 3/4" x 2-1/4" (Base Joint)	4
293-A	904014	Washer, Cut, 3/4" (Base Joint)	8
802	902564	Bolt, Mach. w/Hex Nut 7/8" x 4" (Upper Pitman Connection)	2
802-A	904116	Washer, Lock, 7/8" (Upper Pitman Connection)	2

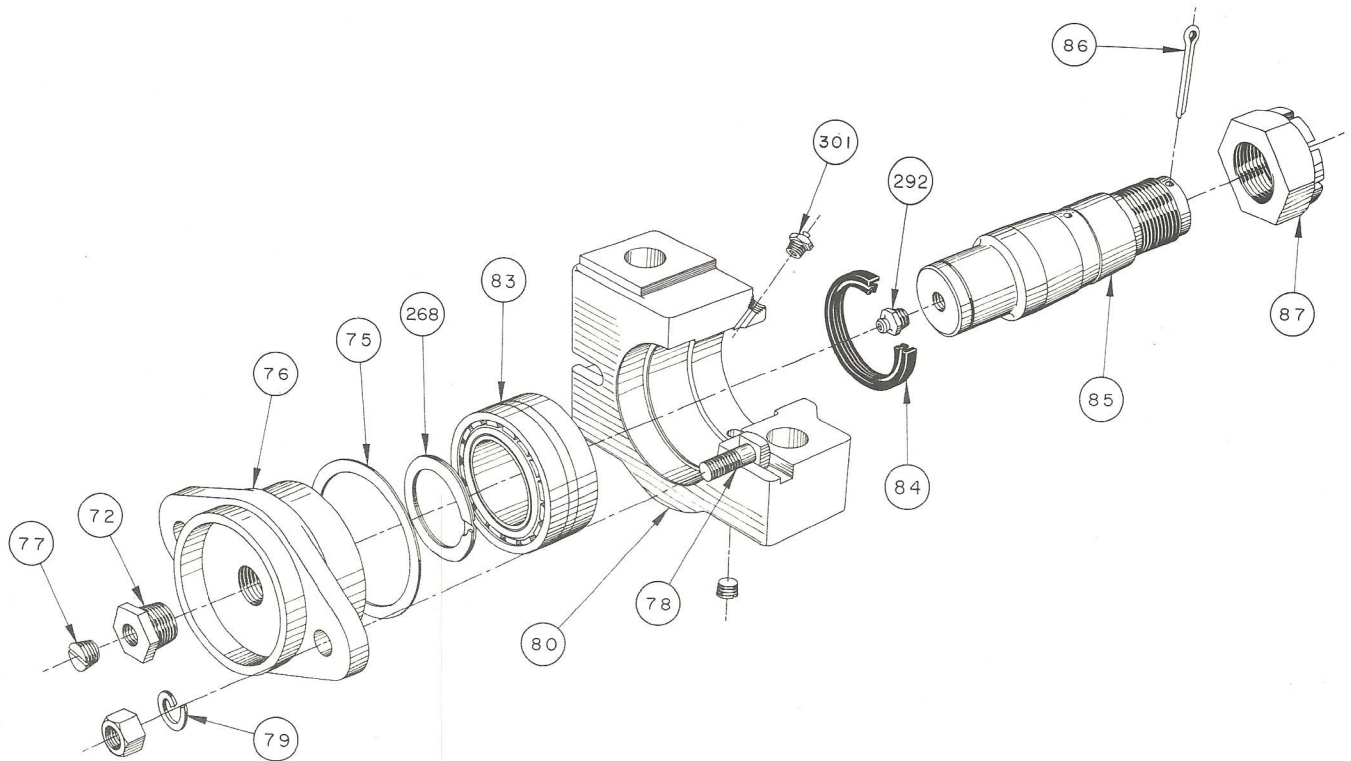
COUNTERWEIGHT BOLTS: QUANTITY, SIZE, PART NUMBER	
Counter Weight	46R - CM 36222
Size and Part Number	46L - CM 36223
Bolt Size and Part Number	1-1/4" x 7-1/2" A-5103
Quantity of Bolts	2 Bolts
FILLERWEIGHT BOLTS: QUANTITY, SIZE, PART NUMBER	
Filler Weight	46 - CF-36224
Quantity of Bolts	2 Bolts
Bolt Size and Part Number	7/8"x8-1/2" A-36326

Bethlehem *AP* PUMPING UNITS



<u>Item No.</u>	<u>Part No.</u>	<u>Description</u>	<u>No. Req'd.</u>
	CM18345	SADDLE BEARING ASSEMBLY - 5C	1
161A	925002	Pipe Bushing, Relief Fitting	1
188	AM 05092	Bushing, Center Bearing	2
191	923802	Pipe Plug	3
192	920530	Oil Seal	2
194	CM 18342	Saddle	1
199	BM 18343	Assembly, Base and Cap	1
200	AM 18344	Assembly, Bearing Housing, with Bushing & Seal	2
299	BM 18339	Bearing Housing	1
302	AP 04811	Alemite Relief Fitting	1
351	902386	Bolt, Mach. w/Hex Nut 5/8 x 4-1/2	4
352	904112	Lock Washer, 5/8"	4
372	AM26447	Roll Pin, Bearing Housing to Cap	2

Bethlehem PUMPING UNITS



<u>Item No</u>	<u>Part No</u>	<u>Description</u>	<u>No. Req'd.</u>
	CM 34403	WRIST PIN BEARING ASSEMBLY #5S	2
72	925122	Bushing	2
75	AP 34864	Gasket, W. P. Bearing Housing	2
76	CM 34402	Cap, Bearing	2
77	927901	Pipe Plug	2
78	902282	Bolt, Machine, with Hex Nut 1/2" x 2"	4
79	904108	Lock Washer, 1/2"	4
80	CM 34400	Housing, W. P. Bearing	2
83	AP 34232	Bearing, Spherical Roller	2
84	920370	Oil Seal	2
85	BM 34488	Wrist Pin	2
86	916268	Cotter Key	2
87	AM 05226	Nut, Wrist Pin	2
268	918283	Snap Ring	2
292	AP 14327	Alemite Fitting	2
301	AP 34160	Alemite Relief Fitting	2