

# Bethlehem PUMPING UNITS

## PARTS LIST

80-133-54

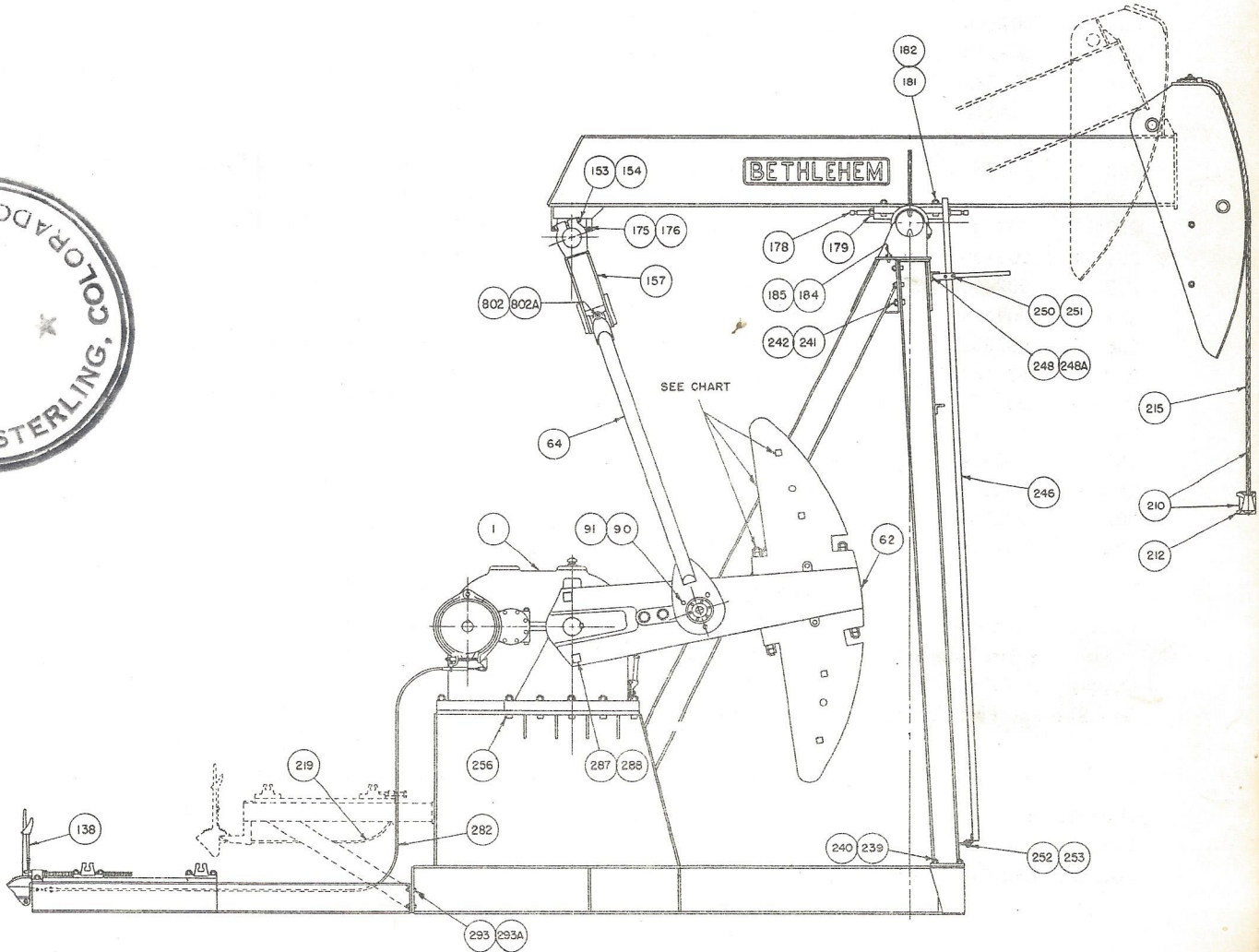
80-119-54

80-133-48

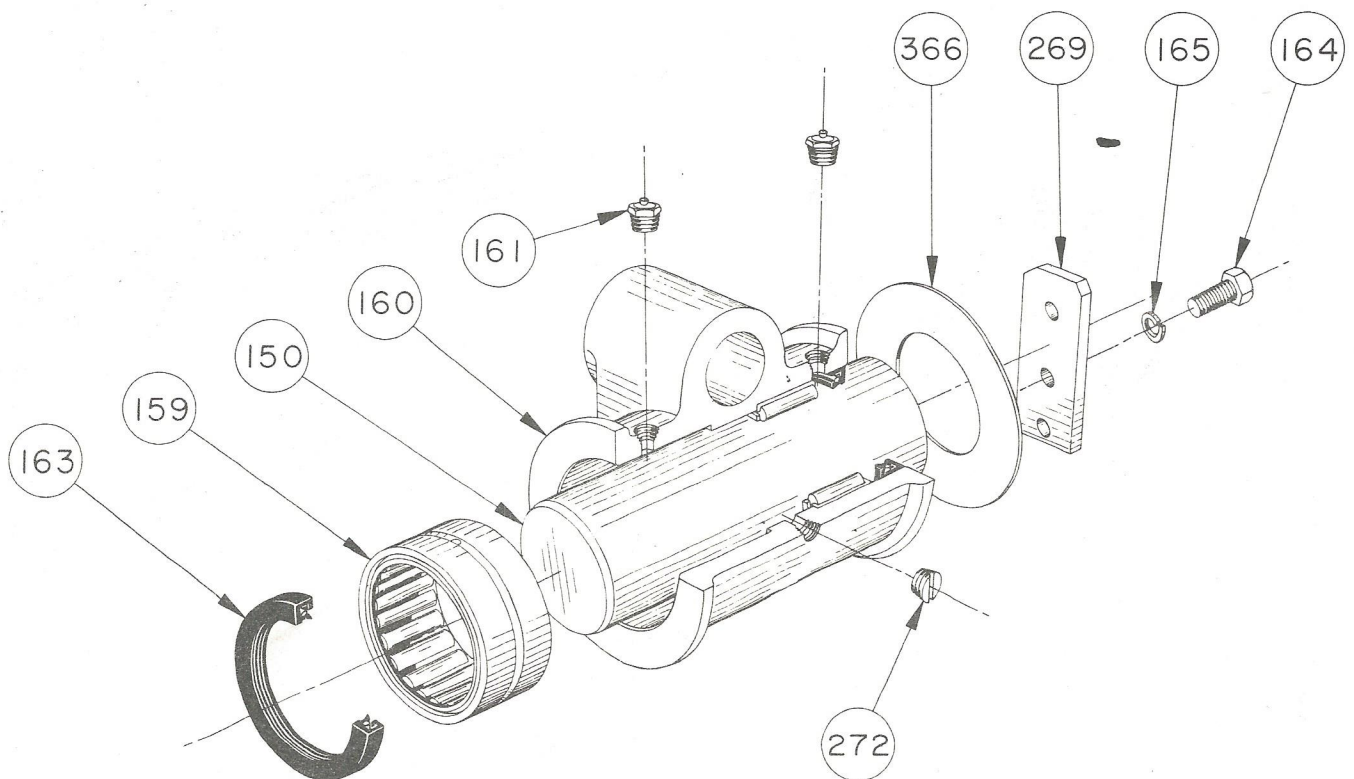
### INSTRUCTIONS FOR ORDERING PARTS

The following information must be furnished with all orders for BETHLEHEM API Pumping Unit Parts:

1. Structural designation of Unit, e. g. 80-133-54
2. Serial Number of Unit (This number is stamped on gear box name plate.)

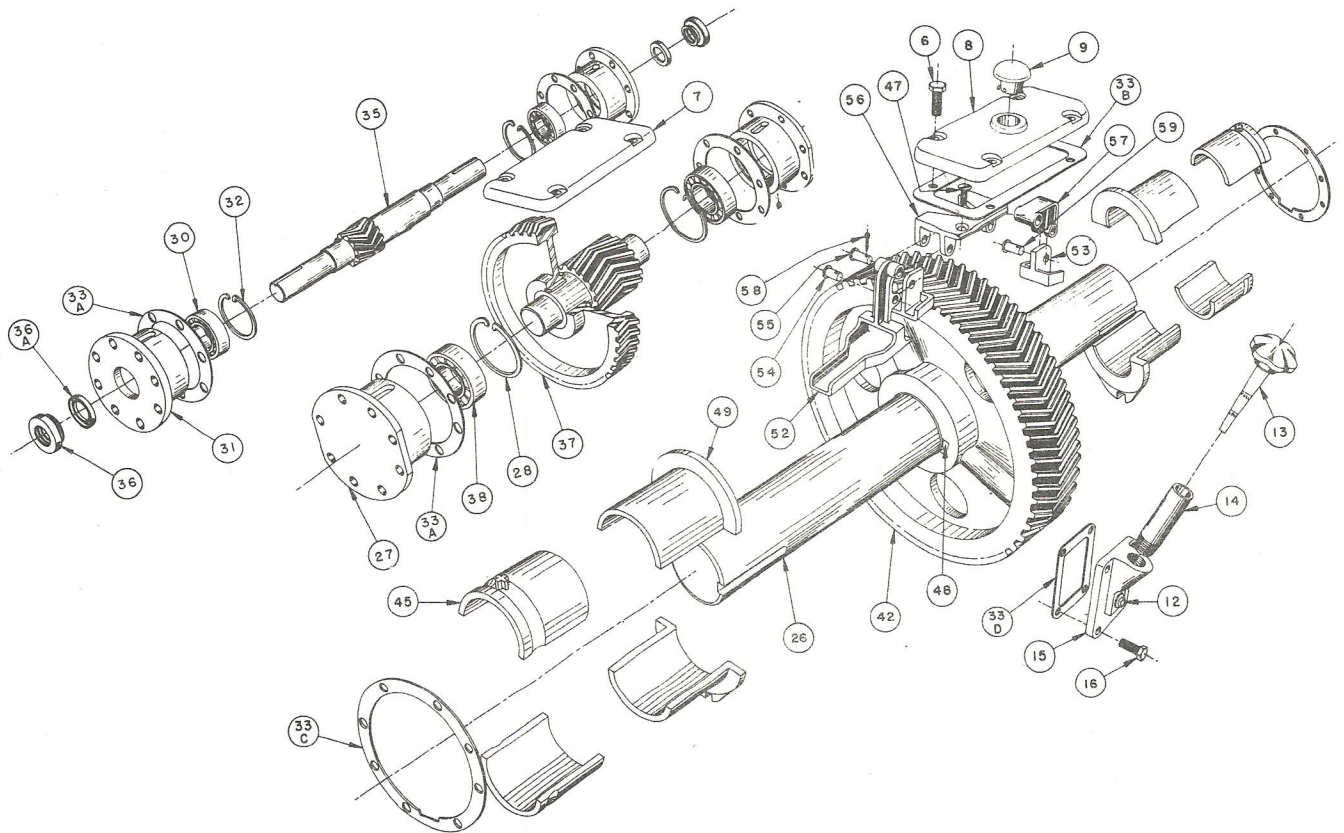


# Bethlehem <sup>AP</sup> PUMPING UNITS



<u>Item No.</u>	<u>Part No.</u>	<u>Description</u>	<u>No. Req'd.</u>
		ASSEMBLY, EQUALIZER BEARING #7R	1
150	AM 29496	Shaft, Equalizer Bearing	1
159	AM 27083	Bearing, Caged Roller	2
160	BM 27078	Box, Equalizer Bearing	1
161	AP 04811	Alemite Relief Fitting, Equalizer Bearing	2
163	920330	Oil Seal, Equalizer Bearing	4
164	907248	Cap Screw, Equalizer Bearing Shaft	3
165	904108	Lock Washer, Shaft Cap Screw	3
269	AM 27081	Retainer, Shaft, Equalizer Bearing	1
272	927901	Pipe Plug, Equalizer Bearing	1
366	AM 20034	Shim, Equalizer Bearing Shaft	1

# Bethlehem PUMPING UNITS



## 80DC GEAR REDUCER

Item No.	Part No.	Description	No. Req'd.	Item No.	Part No.	Description	No. Req'd.
6	907172	Cap Screw, Inspection Cover, 3/8" x 1-1/2"	8	35	BM07568	H. S. Pinion	1
7	BM07625	Inspection Cover H.S. Shaft	1	36	AM24797	Oil Seal, H.S. Shaft	2
8	BM07626	Inspection Cover L.S. Shaft	1	36A	AP24798	Slinger, H.S. Oil Seal	2
9	AP12944	Breather	1	37	BM07723	S.S. Pinion and H.S. Gear Assembly	1
12	923810	Pipe Plug, Oil Drain	1	38	952013	Bearing, S.S. Pinion	2
13	BP08761	Oil Gage	1	42	BM07567	Slow Speed Gear	1
14	AP09560	Pipe for Oil Gage	1	45	BM05914	Bronze Bushing, Crankshaft, Long	1
15	AP09901	Cover Plate, Oil Drain	1	46	904106	Lock Washer, Oil Wiper 3/8"	2
16	907250	Cap Screw, Cover Plate 1/2" x 1-1/4"	4	47	907168	Cap Screw, Oil Wiper, 3/8" x 1"	2
26	BM07570	Crankshaft	1	48	AM07661	Key S.S. Gear to Crankshaft	1
27	BM07565	Bearing Carrier, S.S. Pinion	2	49	BM05913	Bronze Bushing, Crankshaft, Short	1
28	AP05605	Snap Ring, S.S. Pinion Bearing Carrier	2	51	AM05901	Blade, Oil Wiper, Flat	1
30	952011	Bearing, H.S. Pinion	2	52	BM13097	Spout, Oil Wiper	1
31	BM07564	Bearing Carrier, H.S. Pinion	2	53	AM05600	Blade, Oil Wiper	1
32	AP04675	Snap Ring, H.S. Pinion Bearing Carrier	2	55	AM04667	Oil Wiper Pin, Hanger to Bracket	2
33	AM10763	Gaskets for Gear Box, Set Complete	1	56	AM07770	Bracket, Oil Wiper	1
33A	AP07660	Gasket, Bearing Carrier, H.S. Pinion, S.S. Pinion	4	57	AM05902	Hanger, Oil Wiper	2
33B	AP07669	Gasket, Inspection Covers	2	58	916046	Cotter, Oil Wiper Pins, 1/8" x 1"	4
33C	AP10762	Gasket, Crankshaft Oil Seal	2	59	AM05899	Oil Wiper Pin, Blade to Hanger	2
33D	AP09480	Gasket, Oil Drain Cover Plate	1				



STRUCTURAL COMPONENTS

Item No.	Part No.	Description	No. Req'd
1	DM 26625	Assembly, Reducer, 80 DC	1
62	CM 29265	Crank, 4850-B	2
64	BM 35184	Pitman, 54-1/2" Centers	2
90	902766	Bolt, Mach. w/Hex Nut 1-1/8" x 9-1/2" (Pitman to Wrist Pin)	4
91	903118	Nut, Jam, 1-1/8" (Pitman to Wrist Pin)	4
153		Not used	
154		Not used	
157	CM 35181	Cross Beam	1
175	902480	Bolt, Mach. w/Hex Nut 3/4" x 5-1/2" (Tail Bearing to Beam)	2
176	904114	Washer, Lock, 3/4" (Tail Bearing to Beam)	2
178	908266	Jack Screw (Adjusting Bolt, Beam) 3/4" x 5" Set Screw	2
179	903112	Nut, Hex Jam 3/4"	2
181	902561	Bolt, Mach. w/Hex Nut 7/8" x 3-1/4" (Saddle to Beam)	4
182	904116	Washer, Lock 7/8" (Saddle to Beam)	4
184	902652	Bolt, Mach. w/Hex Nut 1" x 3-1/2" (Saddle Bearing to Post)	4
185	904118	Washer, Lock, 1" (Saddle Bearing to Post)	4
210	BM-35438	Assembly, Wire Line (133-54 and 119-54)	1
210	BM 30335	Assembly, Wire Line (133-48)	1
212	CM 10828	Carrier Bar	1
215		Wire Line, Size 7/8" x 16'0" (133-54 and 119-54)	1
215		Wire Line, Size 7/8" x 14'0" for 133-48	1
219	BP-21610	Brake Cable 7'0" Elevated Electric Motor	1
239	902646	Bolt, Mach. w/Hex Nut 1" x 2-1/2" (Post to Base)	8
240	904118	Washer, Lock, 1" (Post to Base)	8
241	902372	Bolt, Mach. w/Hex Nut 5/8" x 2" (Rear to Front Post Leg)	12
242	904112	Washer, Lock, 5/8" (Rear to Front Post Leg)	12
246	BM-34830	Ladder	1
248	902458	Bolt, Mach. w/Hex Nut 3/4" x 1-1/2" (Ladder Bracket to Post)	2
248-A	904114	Washer, Lock, 3/4" (Ladder Bracket to Post)	2
250	902280	Bolt, Mach. w/Hex Nut 1/2" x 1-3/4" (Clamps Upper Ladder Bracket)	4
251	904108	Washer, Lock, 1/2" (Clamps Upper Ladder Bracket)	4
252	902460	Bolt, Mach. w/Hex Nut 3/4" x 1-3/4" (Ladder to Base)	2
253	904114	Washer, Lock, 3/4" (Ladder to Base)	2
256	902652	Bolt, Mach. w/Hex Nut, 1" x 3-1/2" (Reducer to Sub Base)	9
282	BP-13467	Brake Cable 10'-6", High Speed Engine	1
287	902578	Bolt, Mach. w/Hex Nut, 7/8" x 7-1/2" (Counterweight Stop)	4
288	904116	Washer, Lock, 7/8" (Counterweight Stop)	4
293	902464	Bolt, Mach. w/Hex Nut 3/4" x 2-1/4" (Base Joint)	4
293-A	904014	Washer, Cut 3/4" (Base Joint)	8
802	902564	Bolt, Mach. w/Hex Nut 7/8" x 4" (Upper Pitman Connection)	2
802-A	904116	Washer, Lock, 7/8" (Upper Pitman Connection)	2

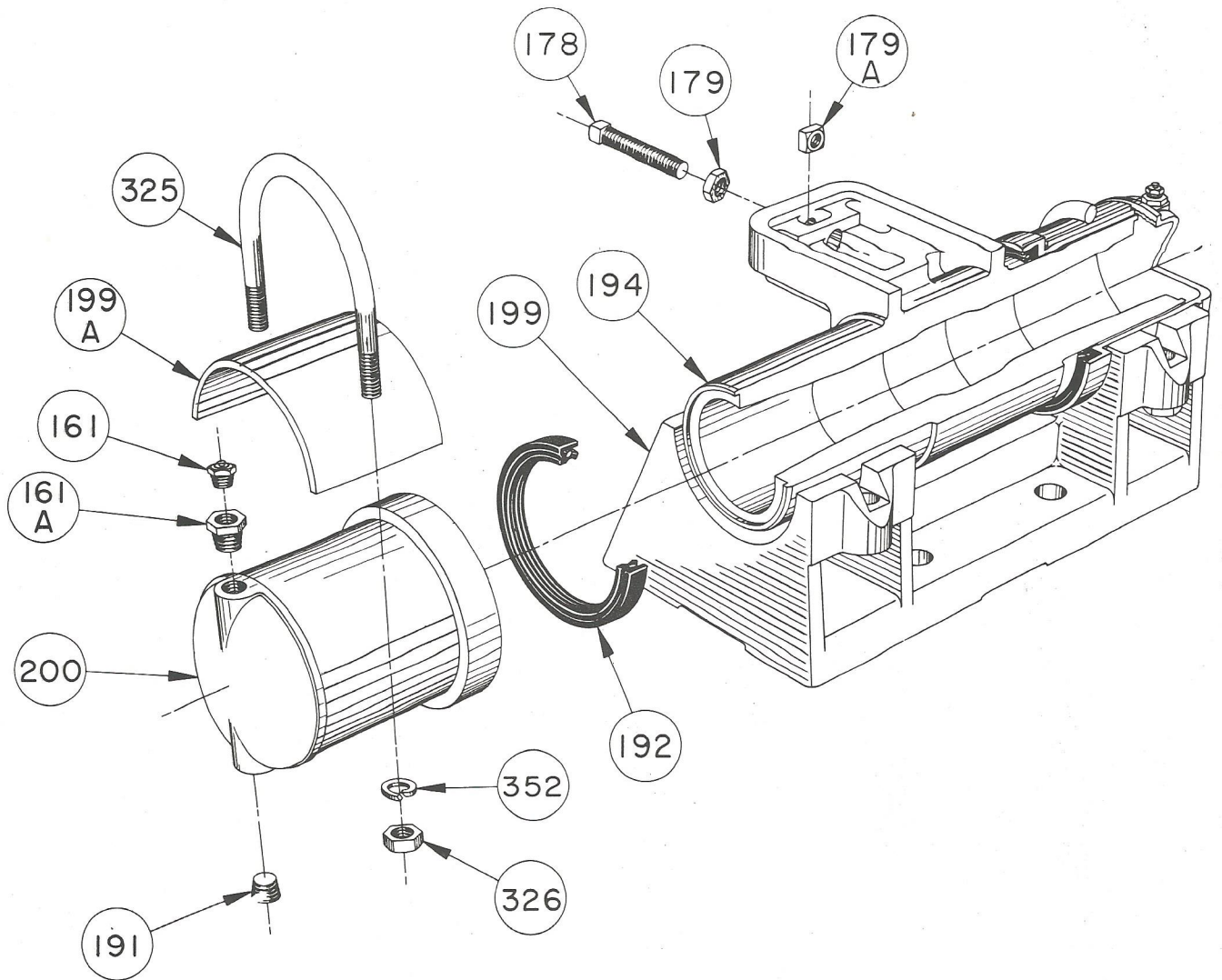
COUNTERWEIGHT BOLTS: QUANTITY, SIZE, PART NUMBER

Counterweight	50R - CM 34773	46R - CM 36222
Size and Part Number	50L - CM 34774	46L - CM 36223
Quantity of Bolts	2 Bolts	2 Bolts
Bolt Size and Part Number	1-1/4" x 7-1/2" A-5103	1-1/4" x 7-1/2" A-5103

FILLERWEIGHT BOLTS: QUANTITY, SIZE, PART NUMBER

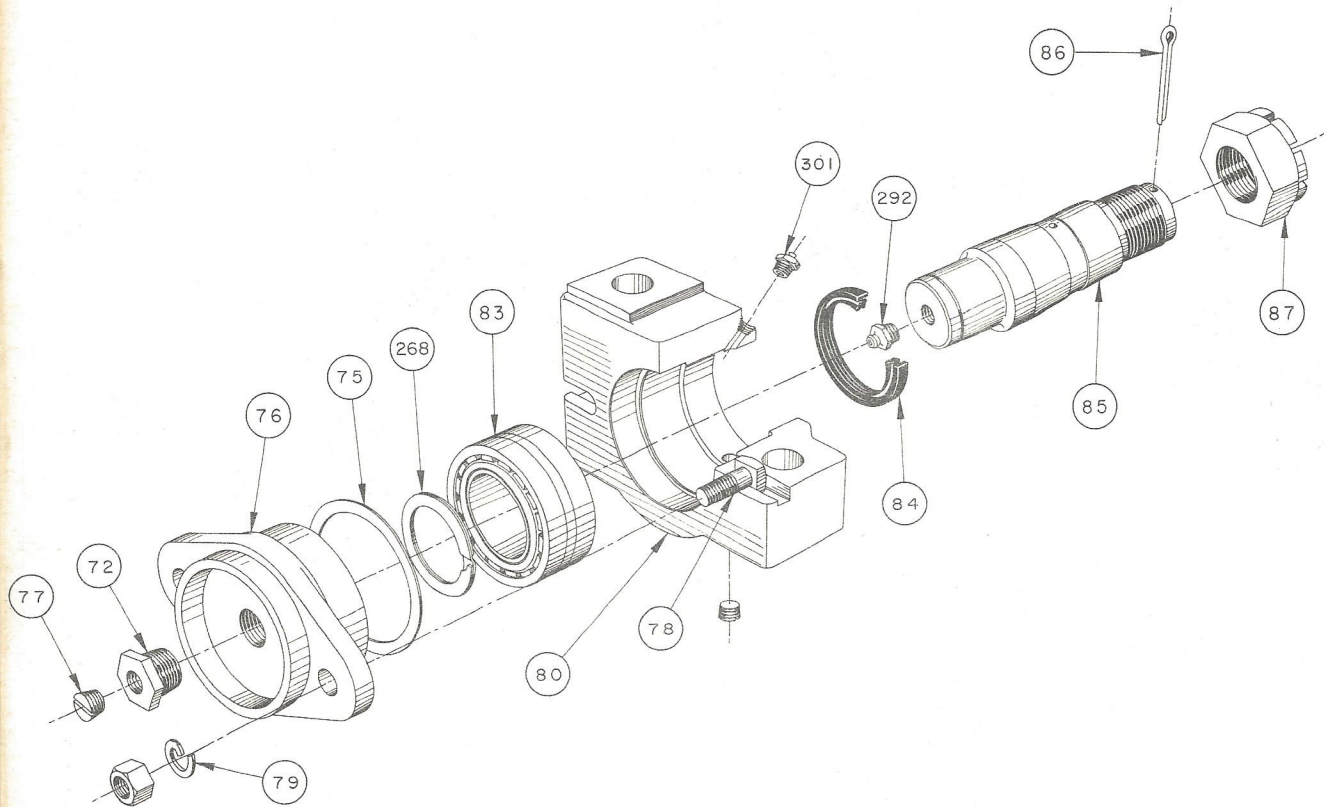
Filler Weight	50 CF-34775	46 CF 36224
Quantity of Bolts	2 Bolts	2 Bolts
Bolt Size and Part Number	1" x 10" A-34839	7/8" x 8-1/2" A=36326

# Bethlehem PUMPING UNITS



<u>Item No.</u>	<u>Part No.</u>	<u>Description</u>	<u>No. Req'd.</u>
		ASSEMBLY, SADDLE BEARING #C-50	1
161	AP 34160	Alemite Relief Fitting, 1/8" #317400	2
161-A	925042	Pipe Bushing, 3/8" x 1/8"	2
178	908266	Bolt, Adjusting 3/4" x 5" Set Screw	2
179	903112	Nut, Hex Jam 3/4" Hvy.	2
179-A	E 765030	Nut, Square 3/4" Hvy.	2
191	923930	Pipe Plug, Flush 3/8"	2
192	SP 10778	Oil Seal	4
194	YM 60526	Saddle	1
199	DM 34836	Saddle Bearing Base	1
199-A	VM 60529	Saddle Bearing Cap	2
200	WM 60528	Bushing, Saddle	2
325	VM 60530	U-Bolt 7/8"	2
326	903014	Nut, Hex 7/8"	4
352	904116	Lock Washer 7/8"	4

# Bethlehem PUMPING UNITS



<u>Item No.</u>	<u>Part No.</u>	<u>Description</u>	<u>No. Req'd.</u>
	CM 34403	WRIST PIN BEARING ASSEMBLY #5S	2
72	925122	Bushing	2
75	AP 34864	Gasket, W. P. Bearing Housing	2
76	CM 34402	Cap, Bearing	2
77	927901	Pipe Plug	2
78	902282	Bolt, Machine, with Hex Nut 1/2" x 2"	4
79	904108	Lock Washer, 1/2"	4
80	CM 34400	Housing, W. P. Bearing	2
83	AP 34232	Bearing, Spherical Roller	2
84	920370	Oil Seal	2
85	BM 34488	Wrist Pin	2
86	916268	Cotter Key	2
87	AM 05226	Nut, Wrist Pin	2
268	918283	Snap Ring	2
292	AP 14327	Alemite Fitting	2
301	AP 34160	Alemite Relief Fittings	2