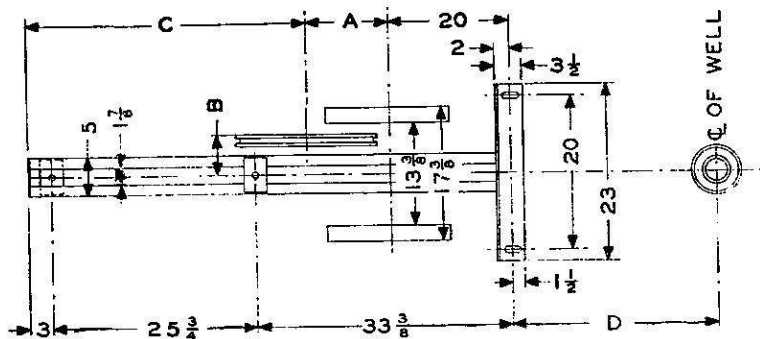


Jensen Straight Lift Pumping Jacks

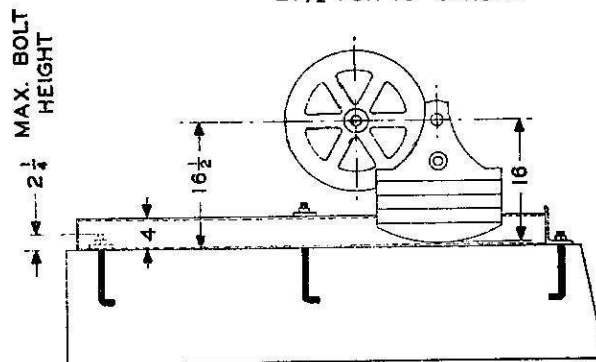
BOLT SETTING AND PARTS LIST DRAWING FOR NO. 2S7-2D7-12 2S7-2D7-18



NOTICE:
TOP OF STUFFING BOX MUST BE LESS
THAN 21" ABOVE THE TOP OF THE
FOUNDATION

UNIT	DIMENSION			PULLEY		
	A	B	C	WIDTH	O. D.	NO. GROOVES
2S7	10 1/2	5 1/4	31 3/8	1 1/2	18 1/2	1 AB
2D7	14 1/2	6 3/8	27 3/8	1	18	1 AB

DIMENSION D IS 13 1/2 FOR 12" STROKE
21 1/2 FOR 18" STROKE



4 FOUNDATION BOLTS—5/8"

Cut No.	Name of Part	No. Pcs.	Part No.	Wt. Each
1.....	Gear Housing	1.....	2DC1	116
*1DD.....	Case	1.....	4DD1&2	19 1/2
2.....	Gear Housing Cover	1.....	2DC2	24
*2DD.....	Lid	1.....	2DD2	7 1/2
3.....	Crank	2.....	50DC3	27
5.....	Main Retainer Plate	2.....	2DC5A	1 1/2
6.....	Pinion Retainer Plate	1.....	4D6	1 1/2
7.....	Pinion Retainer Plate (Pulley)	1.....	4DC7B	1 1/2
*7DD.....	1st Stage Pinion Ret. Plate	1.....	2DD7	3 1/4
11.....	Wrist Pin	2.....	50DC11	1 1/2
12.....	Wrist Pin Bearing Housing	2.....	2DC12	9 1/2
13.....	Beam Pitman Bearing	1.....	2D13	9 1/2
15.....	Wrist Pin Brg. Housing Cap	2.....	2DC15	1/2
16.....	Wrist Pin Brg. Retainer Ring	2.....	2DC16	Nat.
20.....	Beam Weight	1.....	25DC20	45
21.....	Wrist Pin Brg. Rubber	4.....	2DC21	1/4
23.....	Saddle Bearing	2.....	2DC23	5
24M.....	Crank Master Weight	2.....	50M24	16 1/2
24S.....	Crank Segment Weight	1.....	50DC24S	14 1/2
31.....	Pulley	1.....	2D31	55
*31DD.....	Pulley	1.....	4DD31	25
32.....	Pulley Key	1.....	2D32	1 1/8
*32DD.....	Pulley Key	1.....	2DD32	1 1/8
36.....	Pitman	1.....	2DC36	29
39.....	Crank Weight Bolt	4.....	2DC39	1 1/4
40.....	Crank Bolt	2.....	2DC40	1/2
42.....	Beam Pitman Pin	1.....	2DC42	2 3/4
44.....	Beam for 12" Stroke	1.....	2DC44-12	60
	Beam & Cable Head for 18" Stroke	1.....	2DC44-18	80
47.....	Beam Pitman Aligning Shoe	1.....	4DC47	1 1/2
50.....	Cable Head for 12" Stroke	1.....	50DC50	25
51.....	Bull Gear	1.....	50DC51	32 1/2
*51DD.....	Bull Gear	1.....	2DD51T	5
52.....	Pinion	1.....	2D52	3 1/2
*52-1.....	1st Stage Pinion	1.....	2DD52-1	1 1/2
*52-2.....	2nd Stage Pinion	1.....	2DD52-2T	2 3/4
53.....	Bull Gear Shaft	1.....	2DC53	9
54.....	Bull Gear Key	1.....	2D54	1/8
55.....	Crank Key	2.....	2DC55	1/8

Cut No.	Name of Part	No. Pcs.	Part No.	Wt. Each
56.....	Compression Plate, Upper	2.....	456B	2
57.....	Compression Plate, Lower	2.....	457B	2
58.....	Saddle	1.....	2D58	10
60.....	Frame	1.....	2DC60	140
60S.....	Slide Rail	2.....	50SR	4 1/2
65.....	Pinion Bearings	2.....	2D65	3/4
*65DD.....	1st Stage Pinion Bearing	2.....	2DD65	1/2
66.....	Cable Assembly for 12" Stroke	1.....	2D66	4 3/4
	Cable Assembly for 18" Stroke	1.....	2D66-18	5 1/4
67.....	Main Bearing Oil Retainer	2.....	2DC67	1/8
68.....	Pitman Pin Clamp	2.....	2DC68	4
70.....	Polished Rod Crosshead	1.....	2D70	3 1/2
71.....	Pinion Brg. Oil Retainer	1.....	2DC71	1/8
*71DD.....	Pinion Brg. Oil Retainer	1.....	2DD71	1/8
76.....	Saddle Bearing Oil Seal	2.....	2D76	1/8
79.....	Wrist Pin Bearing	2.....	2DC79	1 1/2
85.....	Beam Pitman Brg. Oil Seal	2.....	2D85	1/8
87.....	Pulley Set Screw	1.....	2D87	S.S.
*87DD.....	Pulley Set Screw	1.....	2DD87	S.S.
88.....	Bull Gear Shaft Bearing	2.....	2D88	1 1/8
94.....	Cable (less crosshead) for 12" Stroke	1.....	2D94	1 1/4
	Cable (less crosshead) for 18" Stroke	1.....	2D94-18	1 3/4
95.....	Upper Polished Rod Crosshead	1.....	25DC95	1 1/2
96.....	Hold Down Clamp	2.....	25DC96	1 1/4
97.....	Upper Cable Assembly for 12" Stroke	1.....	50DC97	4 1/2
	Upper Cable Assembly for 18" Stroke	1.....	50DC97-18	5
98.....	Upper Cable (less crosshead) for 12" Stroke	1.....	50DC98	3/4
	Upper Cable (less crosshead) for 18" Stroke	1.....	50DC98-18	1 1/4
99.....	Oil Level Cup	1.....	50DC99	1/4
100.....	Oil Filler Cup	1.....	2DC100	1/8
102.....	Pinion Oil Slinger	1.....	2DC102	1/8
*102DD.....	Pinion Oil Slinger	1.....	25DC102	1/8
*105DD.....	1st Stage Bull Gear Retainer	1.....	2DD105	1/4
*106DD.....	1st Stage Bull Gear Key	1.....	2DD106	1/8

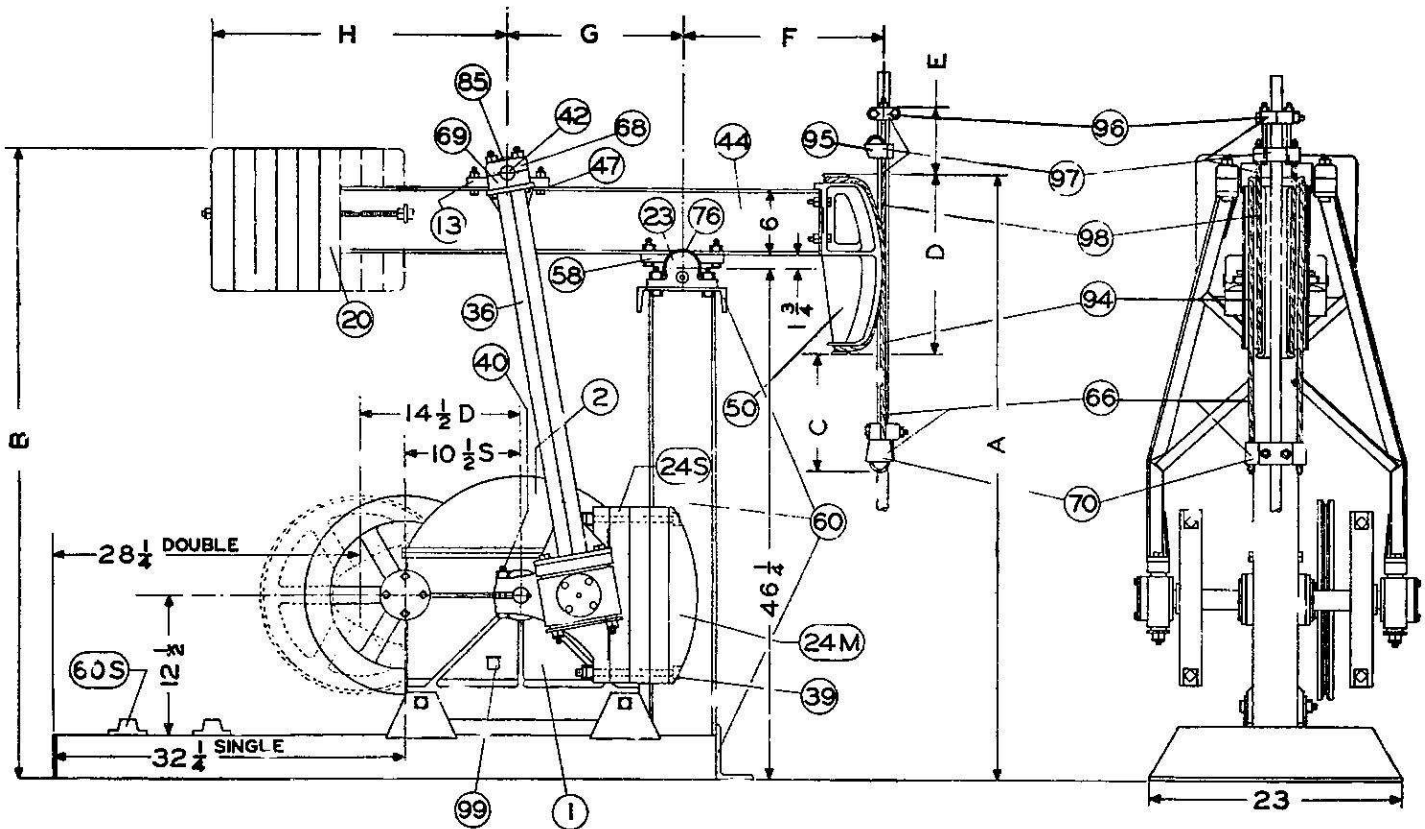
NOTICE: * Used on Double Reduction Jacks Only

ABSOLUTELY NECESSARY TO GIVE SERIAL NUMBER WHEN ORDERING PARTS
(All Weights above for One Piece Only)
Subject to Change Without Notice

For Serial No. Only

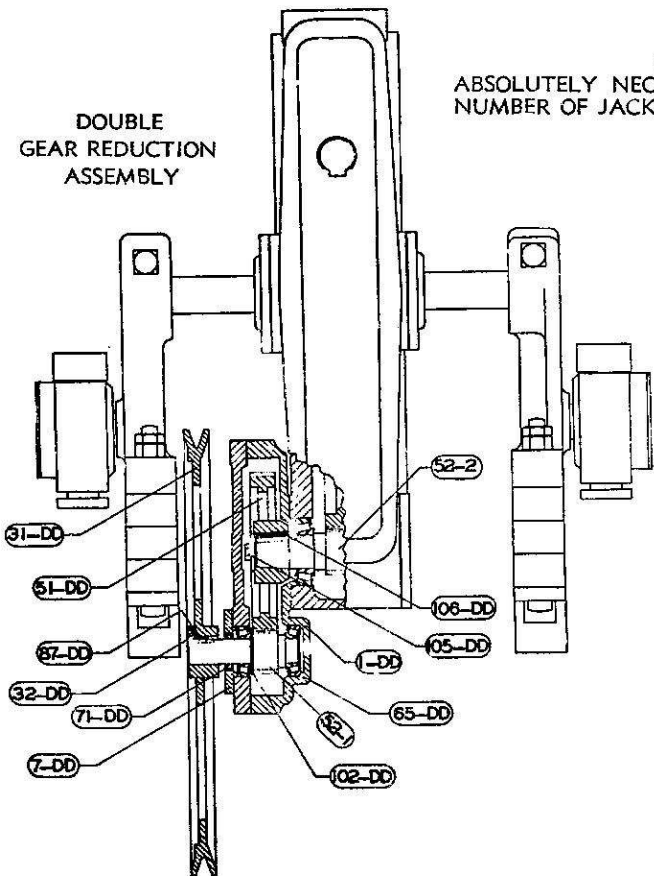
JENSEN BROS. MFG. CO., INC.

Export Office: 250 Park Ave., New York 17, N. Y.
14th & Pacific Sts., Coffeyville, Kansas, U. S. A.



DIMENSION	A		B		C	D	E	F	G	H
	MAX.	MIN.	MAX.	MIN.						
12 STROKE	59	50 1/2	69 3/4	45	6 1/2	16 1/4	6	15 5/8	16 1/8	24 3/8
18 STROKE	65 1/2	50	70 1/4	45	4 3/4	22 3/4	10	23 3/4	15 3/8	22 1/4

DOUBLE GEAR REDUCTION ASSEMBLY



NOTICE:
ABSOLUTELY NECESSARY TO GIVE SERIAL NUMBER OF JACK WHEN ORDERING PARTS

SINGLE GEAR REDUCTION ASSEMBLY

