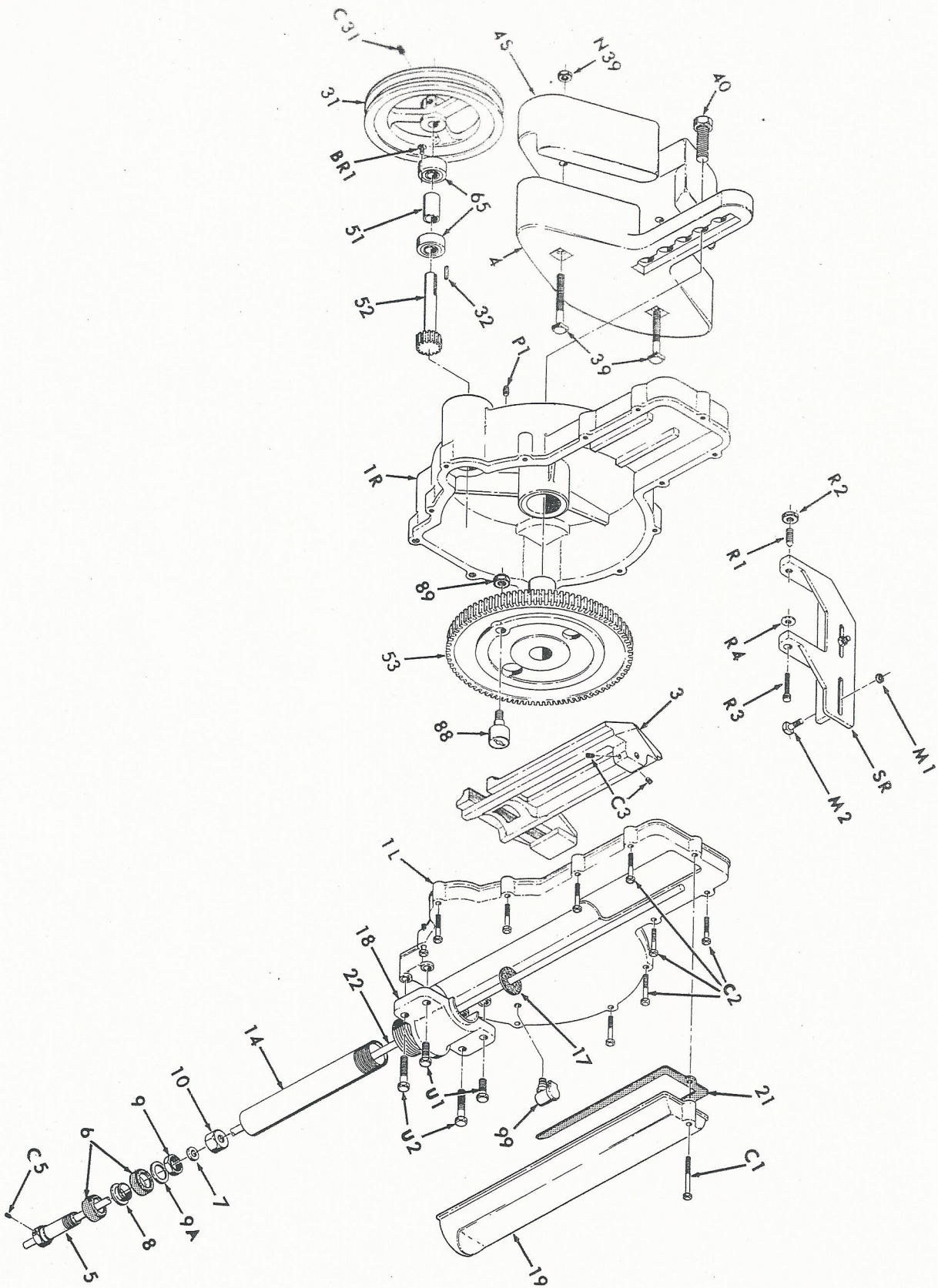


PARTS DRAWING FOR 11W5A



ABSOLUTELY NECESSARY TO GIVE SERIAL NUMBER WHEN ORDERING PARTS

(All Weights for One Piece Only)

PARTS LIST FOR 11W5A

May 23, 1966

Cut No.	Description	Serial Number		Part No.	No. Pcs.	Approx. Shipping Weight	Price Each
		From	To & Incl.				
1-L	Case (left side)	62-1	- - -	11WILA	1	10-3/4#	
1-R	Case (right side)	62-1	- - -	11WIRA	1	20#	
3	Yoke	62-1	- - -	11W3A	1	4-3/4#	
C-3	Yoke Set Screws	58-1	- - -	3/8-16 x 1/2 Cup Pt. Allen	2	1/2 oz.	
4	Crank	58-1	- - -	11W4	1	23-1/4#	
4-S	Segment Weight	58-1	- - -	1124S	1		* **
5	Stuffing Box Body	62-1	- - -	11W5A	1	5 oz.	
C-5	Stuffing Box Body Set Screws	62-1	- - -	5/16-18x3/8 Cup Pt. Allen	1	1/4 oz.	
6	Cup Leathers	60-196	- - -	1-3/8x7/8 Adams Blk.	2	1 oz.	
7	Stuffing Box Body Packing	62-1	- - -	11W7A	1	1 oz.	
8	Follower Ring	62-1	- - -	1-3/8 WC6	1	1 oz.	
9	Cup Adjusting Nut	62-1	- - -	11W9A	1	1 oz.	
10	Stuffing Box Body Packing Nut	62-1	- - -	11W10A	1	2 oz.	
14	Stuffing Box Cylinder	62-1	- - -	11W14A	1	11 oz.	
17	Packing Cylinder Cover	62-1	- - -	11W17A	1	1 oz.	
18	Unit Mount	62-1	- - -	11W18A	1	2-1/2#	
19	Yoke Cover	62-1	- - -	11W19A	1	3-1/4#	
21	Cover Gasket	62-1	- - -	11W21A	1	1 oz.	
22	Polished Rod 7/16 x 48"	62-1	- - -	11W22A (7/16-14 thrd.)	1	2#	
31	Pulley	62-1	- - -	11W31A	1	4#	
C-31	Pulley Set Screw	58-1	- - -	1/4-20x3/8 cup pt. Allen	1	1/4 oz.	
32	Pulley Key	58-1	- - -	11W32A	1	1/2 oz.	
39	Segment Weight Bolts	58-1	- - -	3/8-16x3 Mach. Bolts	2	3 oz.	
N-39	Segment Weight Bolt Nuts	58-1	- - -	3/8-16 Hex	2	1 oz.	
40	Weight Bolt	58-1	- - -	5/8-11x1-1/2 Hex Hd. Cap Screw	1	3 oz.	
51	Pinion Brg. Spacer	62-1	- - -	11W51A	1	1 oz.	
52	Pinion	62-1	- - -	11W52-A	1	1/2#	
53	Main Gear	62-1	- - -	11W53A	1	5-3/4#	
65	Pinion Bearings	58-1	- - -	11W65	2	4 oz.	
88	Cam Roller Bearing	58-1	- - -	11W88	1	2 oz.	
89	Cam Roller Nut	58-1	- - -	11W89	1	1/2 oz.	
99	Oil Level Cup	58-1	- - -	13W99	1	1 oz.	
C-1	Yoke Cover Cap Screw	62-1	- - -	1/4-20 x 2-1/4 Hex Hd.	1	1 oz.	
C-2	Case, Cap Screws	58-1	- - -	1/4-20 x 1-1/4 Hex Hd.	9	3/4 oz.	
SR	Motor Mount	62-1	- - -	11WSRA	1	1-1/2#	
M-1	Motor Mount Nuts	58-1	- - -	5/16-18 Hex	2	1/4 oz.	
M-2	Motor Mount Bolts	58-1	- - -	5/16-18x3/4 sq. hd. Mach.	2	1/2 oz.	
R-1	Motor Mount Set Screw	58-1	- - -	3/8-16x1 cone pt. slotted	1	1/2 oz.	
R-2	Motor Mount Lock-Nut	58-1	- - -	3/8-16 Hex Jam	1	1/4 oz.	
R-3	Motor Mount to case cap screws	62-1	- - -	1/4-20 x 1-1/4 Allen	1	3/4 oz.	
P-1	Drain Plug Case	58-1	- - -	1/8" Pipe Plug	1	1/4 oz.	
U-1	Unit Mount Cap Screws	62-1	- - -	3/8-16x1 Hex Hd.	2	1/2 oz.	
U-2	Unit Mount Cap Screws	62-1	- - -	3/8-16x1-7/8 Hex Hd.	2	3/4 oz.	
*	Motor Pulley (specify bore)	58-1	- - -	11WMP	1		**
*	Motor Pulley Set Screw	58-1	- - -	10-24x3/8 Allen	1	1/8 oz.	**
*	"V" Belt for Elect. Motor	58-1	- - -	#1420	1		**
*	Weight Guard	62-1	- - -	11WGA	1	6#	**

FOR PRICES REFER TO CURRENT PARTS PRICE LIST

* Items not shown in picture; ** For price on these items see Accessorie Price Sheet;

* ** For price on these items see Unit Price Sheet.

All prices are F.O.B. Coffeyville, Kansas, or origin of shipment and are

SUBJECT TO CHANGE WITHOUT NOTICE.

Jensen Bros. Mfg. Co., Inc.

14th and Pacific Streets

Litho in U. S. A.

Coffeyville, Kansas U. S. A.