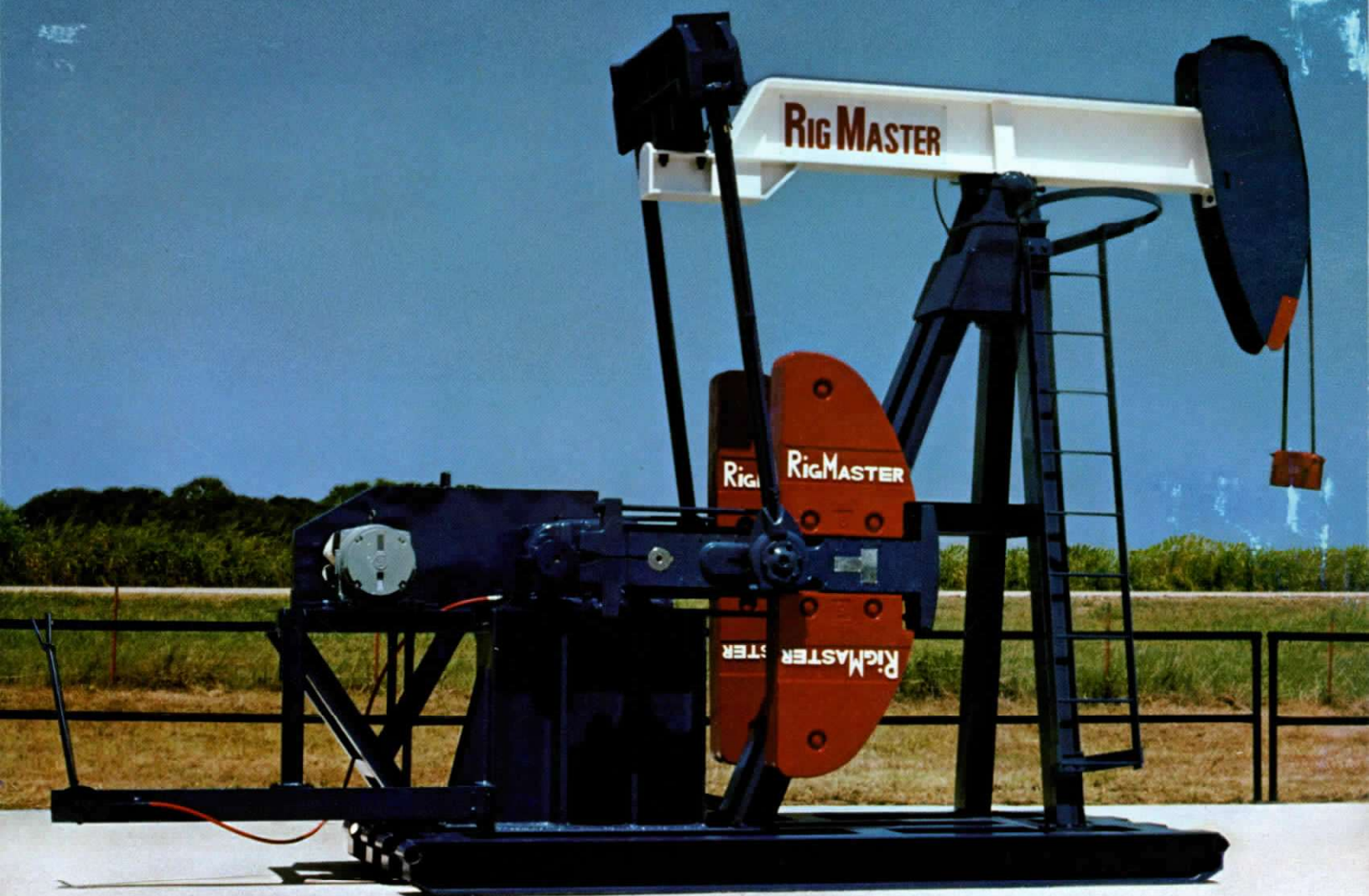


# RIGMASTER 80 PUMPING UNITS



RigMaster, Inc.

HOUSTON OFFICES P.O. Box 19801 Houston, Texas 77024 Phone 713-467-4660  
PLANT 807 Bohlmann Avenue Schulenburg, Texas 78956 Phone 713-743-4107



# RIGMASTER API PUMPING UNITS

SERIES 80 SIZE 160

160,000 INCH POUND PEAK TORQUE REDUCERS

## STRUCTURE DATA

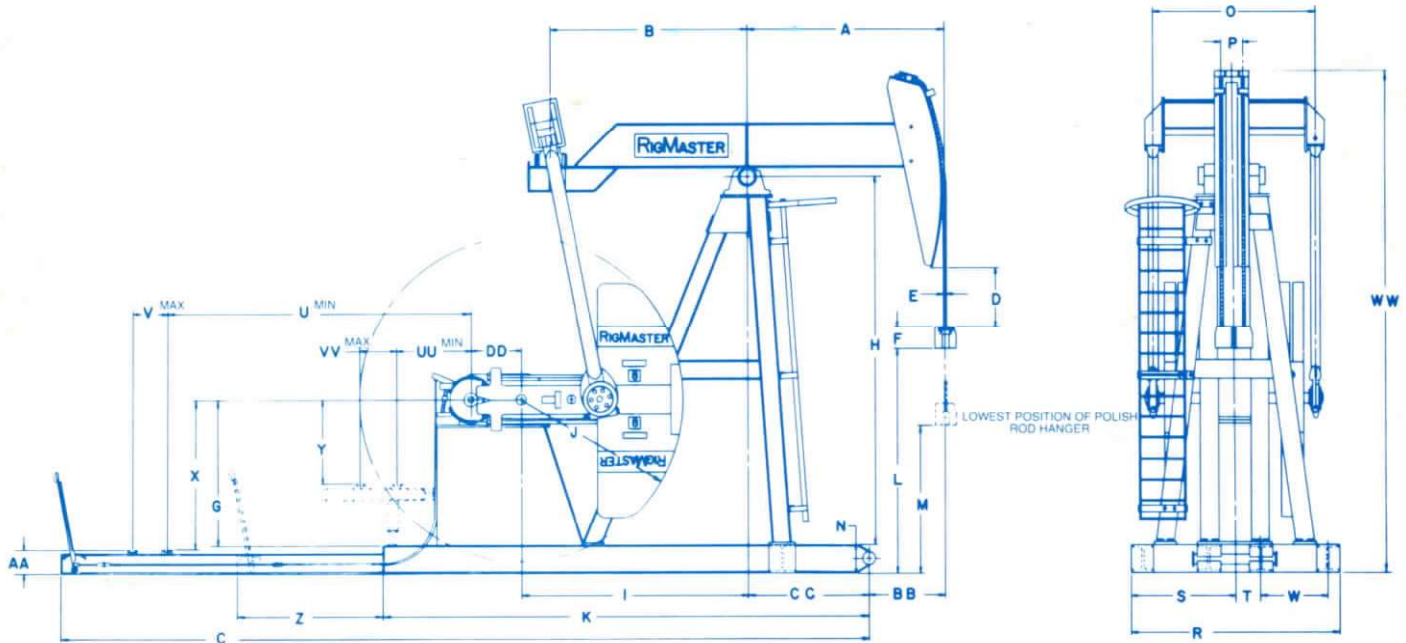
Structure Size	173-86	173-74	200-74	173-100
Unit Designation	160-173-86	160-173-74	160-200-74	160-173-100
Structure Capacity, Lbs.	17,300	17,300	20,000	17,300
Length of Stroke, In.	86,76,66	74,64,54	74,64,54	100,86,72
Walking Beam Size	24 x 104#	24 x 94#	24 x 104#	24 x 104#
Saddle Bearing Pt. No.	Rm 28124	RM 28124	RM 28124	RM 28124
Tailbearing Pt. No.	RM 28125	RM 28125	RM 28125	RM 28125
Wrist Pin Bearing Pt. No.	RM 28123	RM 28123	RM 28123	RM 28123
Pitman Size	3 1/2" Sch. 80 Pipe	3 1/2" Sch. 80 Pipe	3 1/2" Sch. 80 Pipe	3 1/2" Sch. 80 Pipe
Wire Line Hanger	1 1/2" x 10 1/8" Ctrs.	1 1/4" x 10 1/8" Ctrs.	1 1/4" x 10 1/8" Ctrs.	1 1/4" x 10 1/8" Ctrs.
Cranks	71033	71033	71033	71033
Net Structure Unbalance	+ 538	+ 877	+ 895	+ 98

## GEAR REDUCER DATA

Reducer Size	160
Peak Torque @ 20 S.P.M.	160,000 In. Lbs.
Gear Ratio, Double Reduction	30.525:1
Crankshaft Diameter	5 1/2"; Key - 1 1/4 x 1 1/4 x 7 1/2 Lg.
V-Belt Sheave Outside Diameter	Std. - 36" 4G4C
Diameter of Reducer High Speed Shaft	2 1/4"; Key - 5/8 x 5/8 x 5 Lg.
Gear Reducer Oil Capacity, U.S. Gal.	32

## OPTIONAL

- Wide Main Base (Portable Type).
- Power Assemblies for: Single Cylinder Engines, Hi Speed Engines, Electric Motors, Elevated or Ground Level.
- Crank Guard Rails
- Two Tone Paint.



Model	A	B	C	D	E	F	G	H	I	J	K	L	M	N	O	P	R	S	T	U	V	W	X	Y	Z	AA	BB	CC	DD	UU	VV	WW	XX
160-173-86	10'-6 5/16"	9'-3"	27'-4 9/16"	45"	1 1/4"	8 5/8"	66"	14'-1 7/8"	10'-1"	76"	19'-5 1/4"	7'-5 1/8"	4'-3 3/8"	13 5/8"	72 1/4"	10 1/8"	90"	45"	12"	72 7/8"	67 1/4"	29"	61 9/16"	39 1 1/16"	24 1/2"	18 1/16"	91 1/16"	35 1/4"	28 1 9/16"	14 1/4"	32 3/16"	3"	19'-3"
160-173-74	9'-3 1/16"	9'-3"	27'-4 9/16"	45 9/16"	1 1/4"	8 5/8"	66"	14'-1 7/8"	10'-1"	76"	19'-5 1/4"	7'-4 3/8"	4'-6 1 1/16"	13 5/8"	72 1/4"	10 1/8"	90"	45"	12"	72 7/8"	67 1/4"	29"	61 9/16"	39 1 1/16"	24 1/2"	18 1/16"	75 3/16"	35 1/4"	28 1 9/16"	14 1/4"	32 3/16"	3"	19'-3"
160-200-74	9'-3 1/16"	9'-3"	27'-4 9/16"	46 9/16"	1 1/4"	8 5/8"	66"	14'-1 7/8"	10'-1"	76"	19'-5 1/4"	7'-4 3/8"	4'-6 1 1/16"	13 5/8"	72 1/4"	10 1/8"	90"	45"	12"	72 7/8"	67 1/4"	29"	61 9/16"	39 1 1/16"	24 1/2"	18 1/16"	75 3/16"	35 1/4"	28 1 9/16"	14 1/4"	32 3/16"	3"	19'-3"
160-173-100	12'-2 1/16"	9'-3"	27'-4 9/16"	15 1/2"	1 1/4"	8 5/8"	66"	14'-1 7/8"	10'-1"	76"	19'-5 1/4"	8'-3 3/8"	4'-3 3/8"	13 5/8"	72 1/4"	10 1/8"	90"	45"	12"	72 7/8"	67 1/4"	29"	61 9/16"	39 1 1/16"	24 1/2"	18 1/16"	111 1/16"	35 1/4"	28 1 9/16"	14 1/4"	32 3/16"	3"	20'-5 3/8"