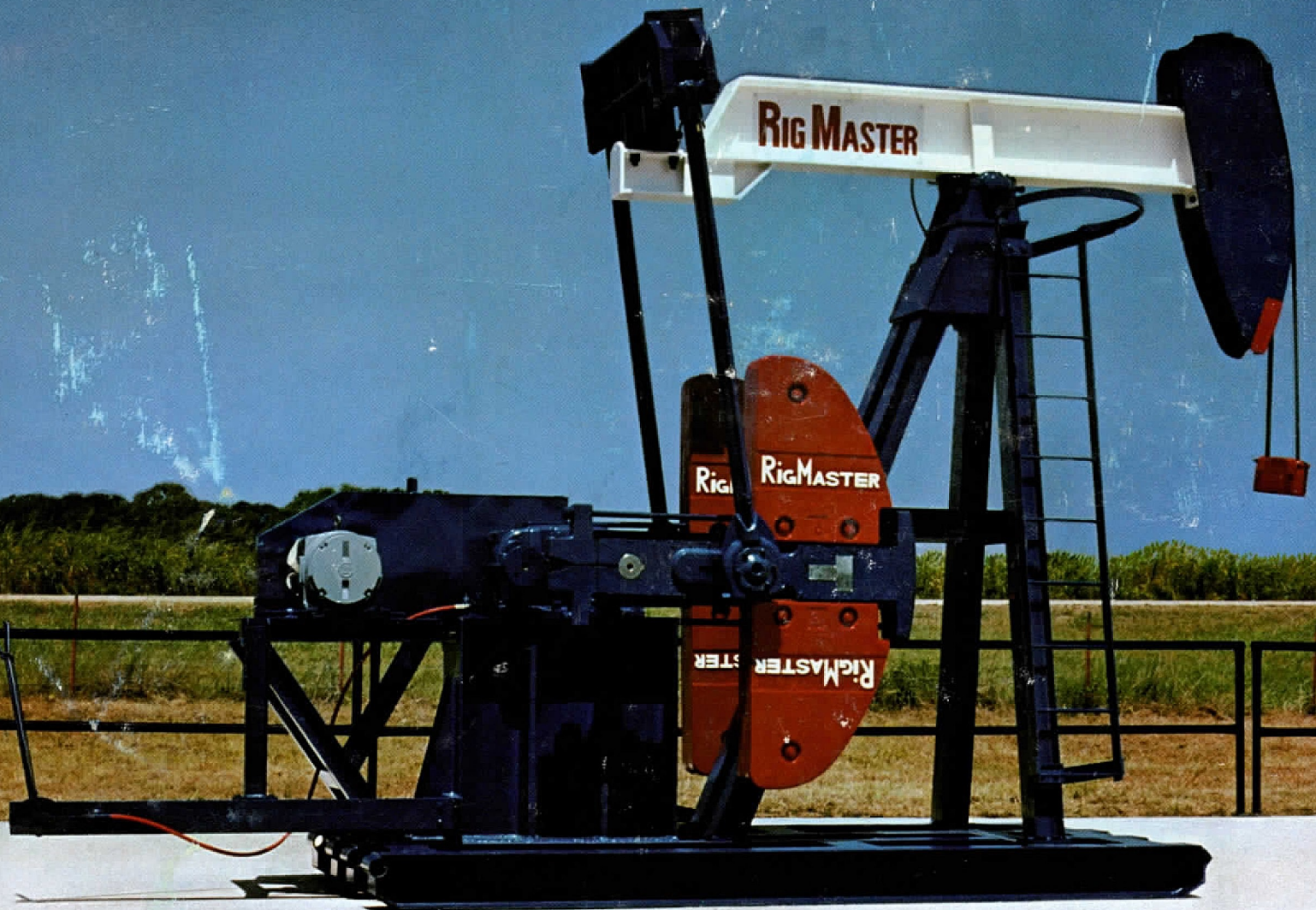


RIGMASTER 80 PUMPING UNITS



RigMaster, Inc.

HOUSTON OFFICES P.O. Box 19801 Houston, Texas 77024 Phone 713-467-4660
PLANT 807 Bohmann Avenue Schulenburg, Texas 78956 Phone 713-743-4107



RIGMASTER API PUMPING UNITS

SERIES 80 SIZE 456

456,000 INCH POUND PEAK TORQUE REDUCERS

STRUCTURE DATA

Structure Size	305-144
Unit Designation	456-305-144
Structure Capacity, Lbs.	30,500
Length of Stroke, In.	144,
Walking Beam Size	30 x 173#
Saddle Bearing Pt. No.	100005
Tailbearing Pt. No.	100005
Wrist Pin Bearing Pt. No.	RM 32230
Pitman Size	4" Sch. 80 Pipe
Wire Line Hanger	1 3/8" x 14 3/8" Ctrs.
Cranks	71019
Net Structure Unbalance	- 265

GEAR REDUCER DATA

Reducer Size	456
Peak Torque @ 20 S.P.M.	456,000 In./Lbs.
Gear Ratio, Triple Reduction	30.266:1
Crankshaft Diameter	6 1/2"; Key - 1 1/2 x 1 1/2 x 7 1/2 Lg.
V-Belt Sheave Outside Diameter	Std. - 44" 5G5C
Diameter of Reducer High Speed Shaft	3"; Key - 3/4 x 3/4 x 4 1/2 Lg.
Gear Reducer Oil Capacity, U.S. Gal.	37

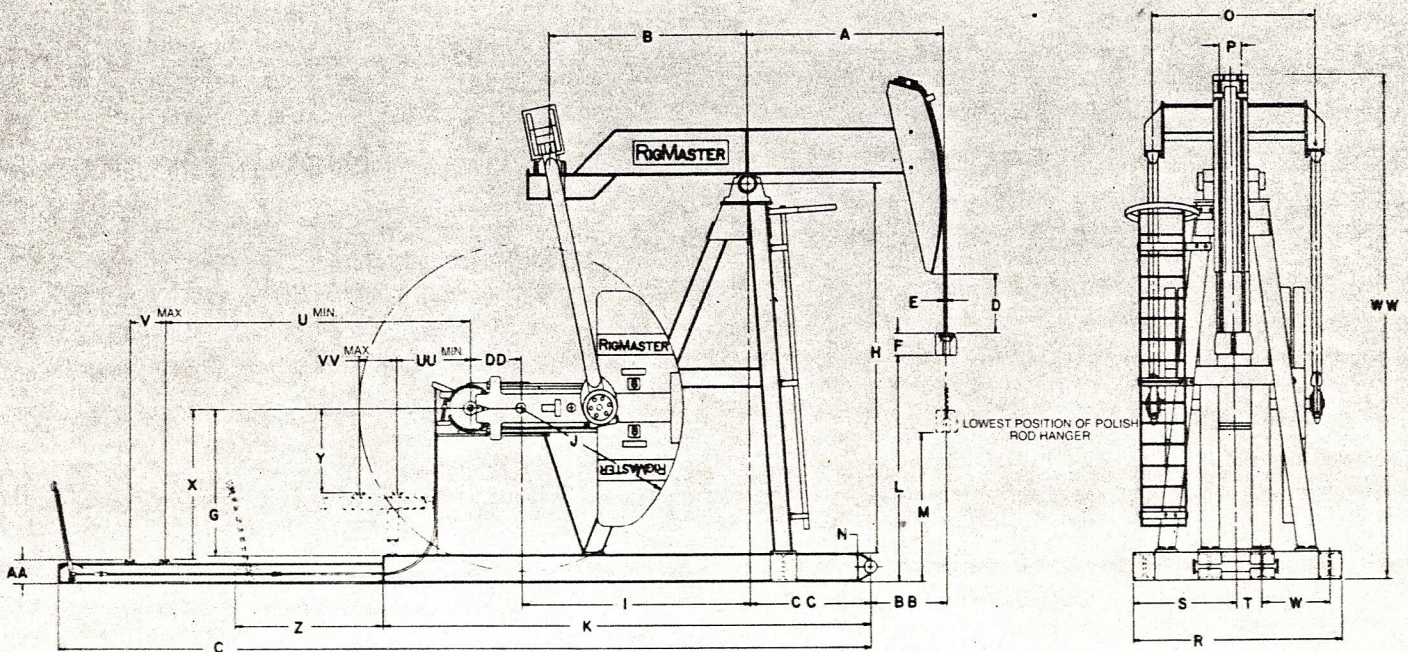
OPTIONAL

Wide Main Base (Portable Type).

Power Assemblies for: Single Cylinder Engines, Hi Speed Engines, Electric Motors, Elevated or Ground Level.

Crank Guard Rails

Two Tone Paint.



Model	A	B	C	D	E	F	G	H	I	J	K	L	M	N	O	P	R	S	T	U	V	W	X	Y	Z	AA	BB	CC	DD	UU	VV	WW
456-305-144	154"	120"	32 4/8"	38 1/4"	1 1/4"	9 1/8"	83"	241 3/4"	120"	90"	256"	145 3/8"	60 5/8"	13 3/8"	79 7/8"	14 3/8"	96"	48"	16"	73 7/8"	79 3/8"	32"	78 3/8"	56 1 1/8"	24 1/2"	18 1/8"	97 1/2"	56 1/2"	34 1/8"	17 1/8"	43 3/8"	29 2 3/8"