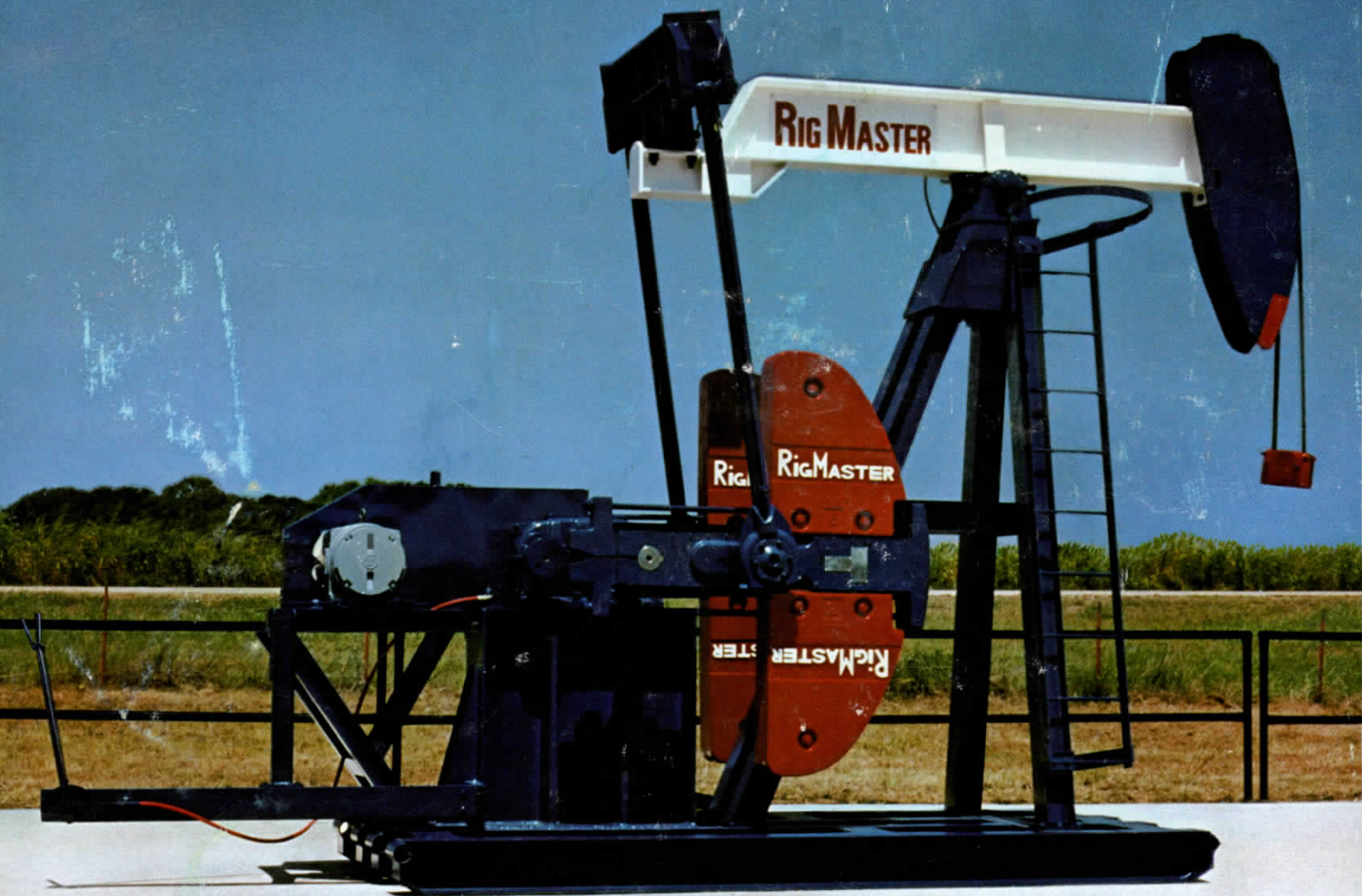


RIGMASTER 80 PUMPING UNITS



RigMaster, Inc.

HOUSTON OFFICES P.O. Box 19801 Houston, Texas 77024 Phone 713-467-4660
PLANT 807 Bohlmann Avenue Schulenburg, Texas 78956 Phone 713-743-4107



RIGMASTER API PUMPING UNITS

SERIES 80 SIZE 640

80,000 INCH POUND PEAK TORQUE REDUCERS

STRUCTURE DATA

Structure Size	305-144	305-168
Unit Designation	640-305-144	640-305-1684
Structure Capacity, Lbs.	30,500	30,500
Length of Stroke, In.	144,	168, 144, 120
Walking Beam Size	30" x 173#	33" x 201#
Saddle Bearing Pt. No.	RM 100005	RM 100005
Tailbearing Pt. No.	RM 100005	RM 10005
Wrist Pin Bearing Pt. No.	RM 100027	RM 100027
Pitman Size	5" Sch. 80 Pipe	5" Sch. 80 Pipe
Wire Line Hanger	1 3/8" x 14 3/8" Ctrs.	1 3/8" x 14 3/8" Ctrs.
Cranks	71036	71036
Net Structure Unbalance	- 169	+ 152

GEAR REDUCER DATA

Reducer Size	640
Peak Torque (at 20 S.P.M.)	640,000 In./Lbs.
Gear Ratio, Double Reduction	30.426:1
Crankshaft Diameter	7"; Key - 1 x 1 1/2 x 7 1/2 Lg.
V-Belt Sheave Outside Diameter	Std. 50" 7G7C
Diameter of Reducer High Speed Shaft	3 1/8"; Key - 3/4 x 3/4 x 6 1/4 Lg.
Gear Reducer Oil Capacity, U.S. Gal.	96

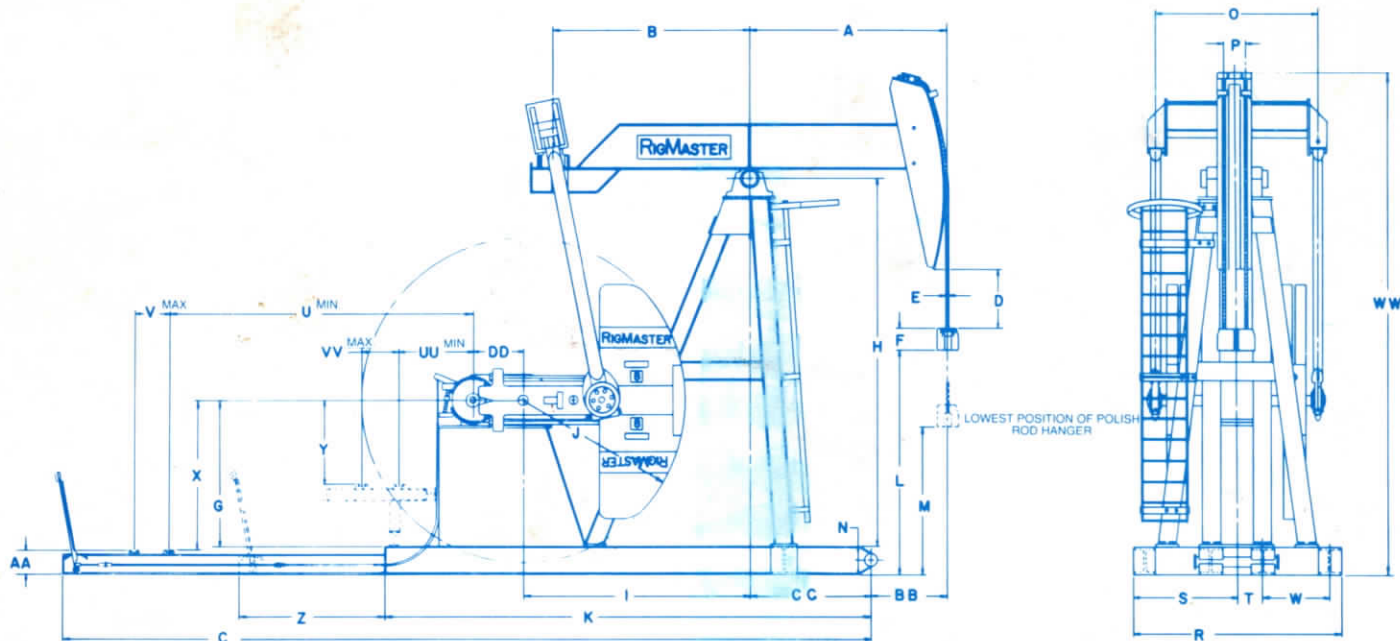
OPTIONAL

Wide Main Base (Portable Type).

Power Assemblies for: Single Cylinder Engines, Hi Speed Engines, Electric Motors, Elevated or Ground Level.

Crank Guard Rails

Two Tone Paint.



Model	A	B	C	D	E	F	G	H	I	J	K	L	M	N	O	P	Q	R	S	T	U	V	W	X	Y	Z	AA	BB	CC	DD	UU	VV	WW
C640D-305-168	154"	119 1/2"	435"	48 1/2"	1 3/8"	9 1/8"	88"	246 3/4"	119 3/4"	100"	264"	138 1/4"	36 5/8"	18 1/4"	106 1/2"	14 3/8"	41 9/16"	92"	46"	21"	116"	116 3/16"	61 1/16"	88 3/16"	28 1/16"	18 1/16"	82 3/4"	71 1/4"	113 1/4"	31 3/4"	40 1/16"	31'-4 3/8"	
C640D-305-144	138 3/8"	119 1/2"	435"	68 1/16"	1 3/8"	9 1/8"	88"	246 3/4"	119 3/4"	100"	264"	126 1/16"	40 1/16"	18 1/4"	106 1/2"	14 3/8"	41 9/16"	92"	46"	21"	116"	116 3/16"	61 1/16"	88 3/16"	28 1/16"	18 1/16"	59 1/8"	71 1/4"	89 5/8"	31 3/4"	40 1/16"	29'-8 1/16"	