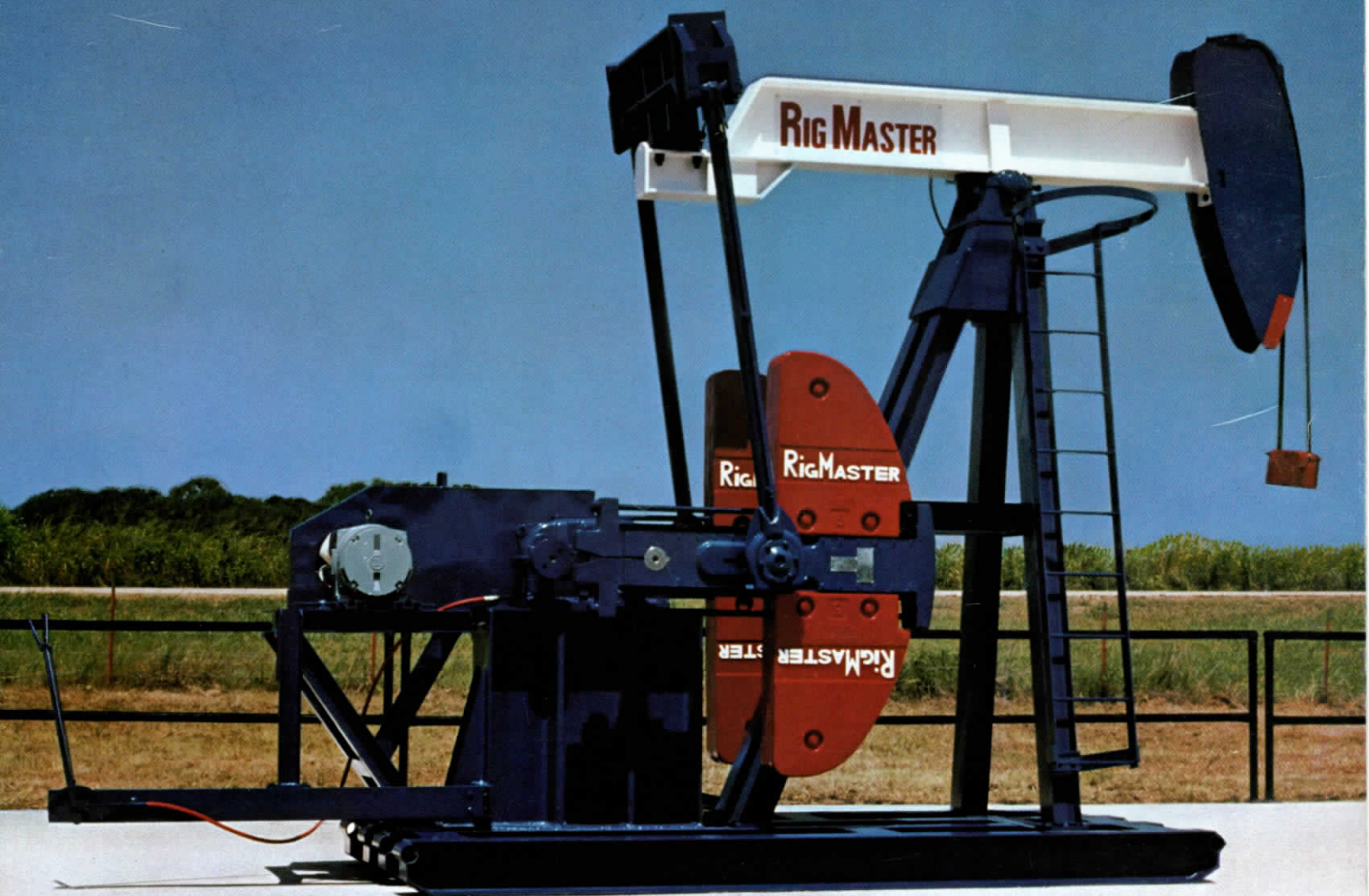


RIGMASTER 80 PUMPING UNITS



RigMaster, Inc.

HOUSTON OFFICES P.O. Box 19801 Houston, Texas 77024 Phone 713-467-4660
PLANT 807 Bohlmann Avenue Schulenburg, Texas 78956 Phone 713-743-4107

RIGMASTER SERIES 80 SIZE 80 PUMPING UNITS

80,000 INCH POUND PEAK TORQUE REDUCERS

STRUCTURE DATA

Structure Size	133-54	133-44	119-64
Unit Designation	80-133-54	80-133-44	80-119-64
Structure Capacity, Lbs.	13,300	13,300	11,900
Length of Stroke, In.	54,44,34	44,34,24	64,54,44
Walking Beam Size	16" x 67#	16" x 57#	18" x 60#
Saddle Brg. Pt. No.	RM 80142	RM 80142	RM 80142
Tail Brg. Pt. No.	RM 80148	RM 80148	RM 80148
Wrist Pin Brg. Pt. No.	RM 80139	RM 80139	RM 80139
Pitman Size	3" Sch. 80 Pipe	3" Sch. 80 Pipe	3" Sch. 80 Pipe
Wire Line Hanger	1" x 8" Centers	1" x 8" Centers	1" x 8" Centers
Cranks	71032	71032	71032
Net Structure Unbalance	+ 840	+ 975	+ 715

GEAR REDUCER DATA

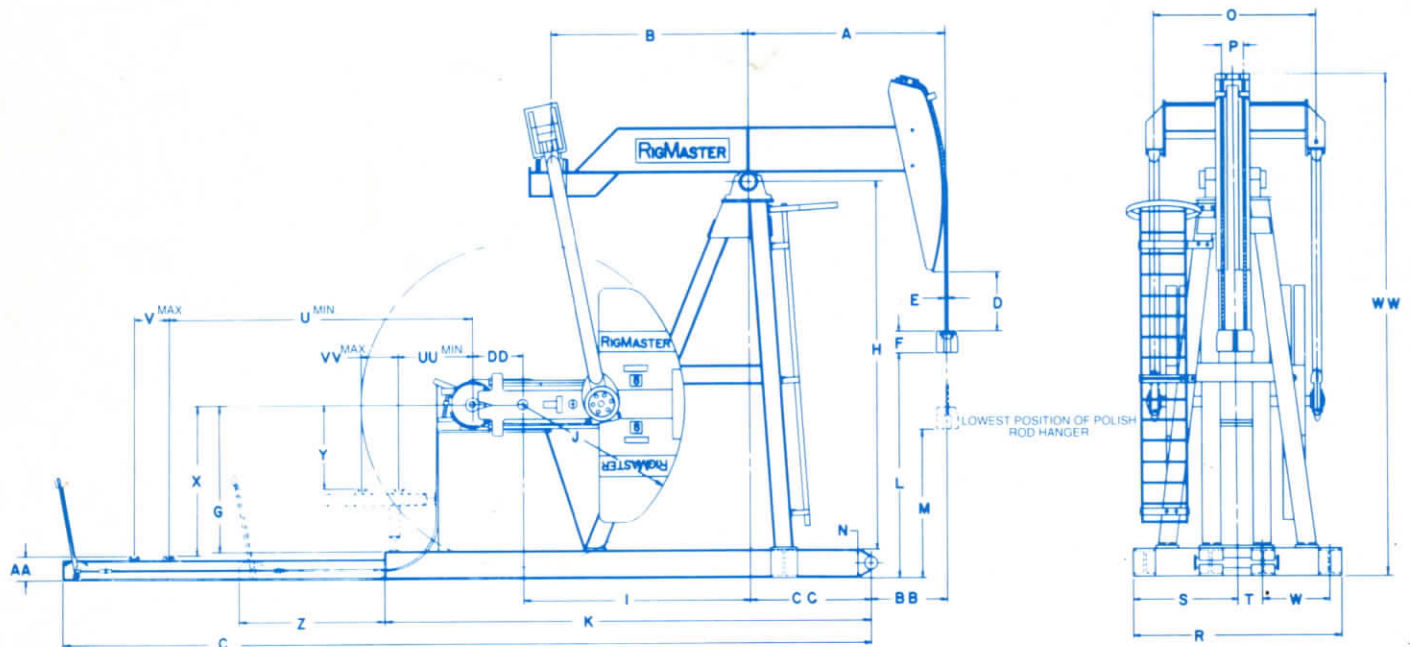
Reducer Size	80
Peak Torque (at 20 S.P.M.)	80,000 In.-Lbs.
Gear Ratio, Triple Reduction	56.57 to 1
Crankshaft Dia.	4 1/2"; Key 1 x 1 x 7 1/2 Lg.
V-Belt Sheave Outside Diameter	Std. 24 3C
Alternates:	20 3G3C, 16" 3G3C
Diameter of Reducer High Speed Shaft	1 1/2"; Key 3/8 x 3/8 x 3 1/2 Lg.
Gear Reducer Oil Capacity, U.S. Gal.	6

OPTIONAL ITEMS

Wide Main Base (Portable Type).

Power Assemblies for: Single Cylinder Engines, Hi Speed Engines, Electric Motors, Elevated or Ground Level.

Crank Guard Rails
Two Tone Paint.



Model	A	B	C	D	E	F	G	H	I	J	K	L	M	N	O	P	R	S	T	U	V	W	X	Y	Z	AA	BB	CC	DD	UU	VV	WW	XX
80-133-44	55 1/8"	5'-9 1/2"	26'-4"	20 1/4"	1"	7 3/8"	51"	10'-7 1/8"	6'-6 1/4"	56"	172"	79 1/4"	57 7/8"	9 3/4"	55 1/2"	8 3/4"	82"	41"	9"	72"	36"	28"	42 1/16"	24 1/16"	24 1/2"	18 1/16"	23 7/8"	31 1/4"	17 5/16"	20 1/2"	20"	4"	14'-4 7/8"
80-133-54	69"	5'-9 1/2"	26'-4"	21 1/4"	1"	7 3/8"	51"	10'-7 1/8"	6'-6 1/4"	56"	172"	78 1/4"	51 9/16"	9 3/4"	55 1/2"	8 3/4"	82"	41"	9"	72"	36"	28"	42 1/16"	24 1/16"	24 1/2"	18 1/16"	37 3/4"	31 1/4"	17 5/16"	20 1/2"	20"	4"	14'-4 7/8"
80-119-64	80 3/16"	5'-9 1/2"	26'-4"	22"	1"	7 3/8"	51"	10'-7 1/8"	6'-6 1/4"	56"	172"	77 1/4"	46 1/16"	9 3/4"	55 1/2"	8 3/4"	82"	41"	9"	72"	36"	28"	42 1/16"	24 1/16"	24 1/2"	18 1/16"	48 3/4"	31 1/4"	17 5/16"	20 1/2"	20"	4"	14'-4 7/8"