

Model No. 10-32-12





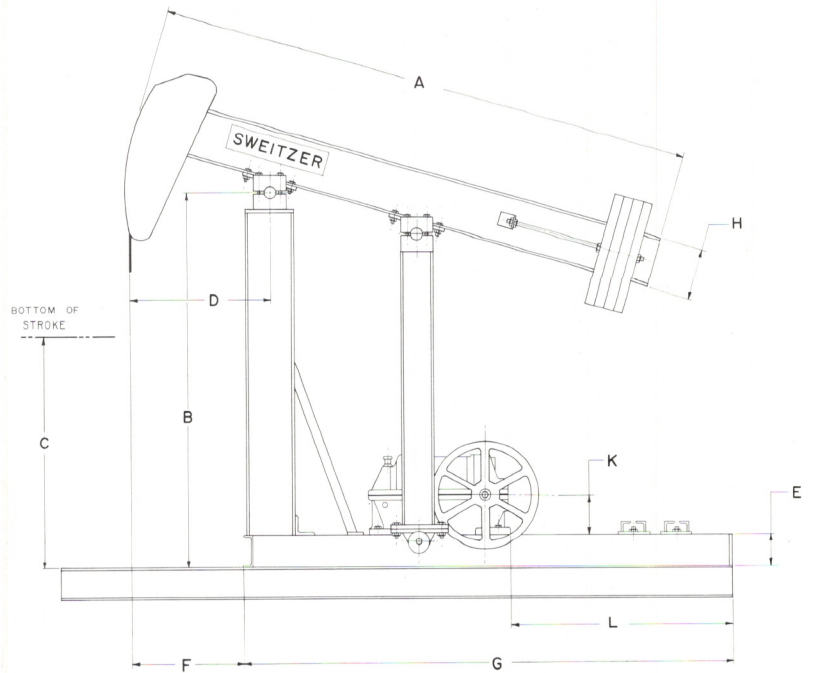
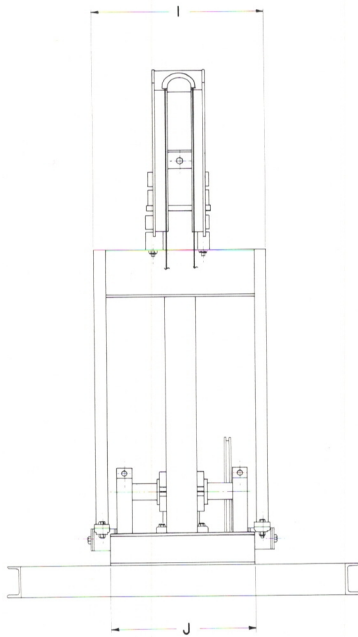
# Specifications for Sweitzer Pumping Units

## Model No. 10-32-12 GEAR REDUCER

Peak Torque Rating .....	10,000 in. lbs.
Nominal Horsepower Rating .....	3.2 @ 20 s.p.m.
Reduction Ratio .....	40:1
Type Bearings .....	Tapered Roller
Sheave Section .....	1b x 12.5" dia.
Oil Capacity .....	2.5 qts.

## STRUCTURE

Unit Structure Rating .....	3,200 lbs.
Stroke .....	12"
Well Working Center .....	15"
Walking Beam Section and Weight .....	6" x 4" wf 12 lb.
Height of Saddle Bearing Above Top of Foundation .....	46½"
Overall Length of T-frame .....	61½"
Width of T-frame .....	18"
Section and Weight of Main T-frame Members .....	4" channel 5.4 lb.
Length of Base .....	84"
Width of Base .....	39"
Beam Counter Weights .....	65 lbs.
Wrist Pin Bearings .....	Bushing-Sweitzer Wear Ever
Total Weight of Unit .....	700 lbs.



	A	B	C	D	E	F	G	H	I	J	K	L
10-32-12	66-½	46-½	30	18	4	14	60	6	21-¼	18	5	28

Sweitzer Manufacturing, Inc.

Highway 31-W North  
 CAVE CITY, KENTUCKY 42127  
 Office (502)773-2179 or 773-2170

(over)