

Model No. 25-67-36



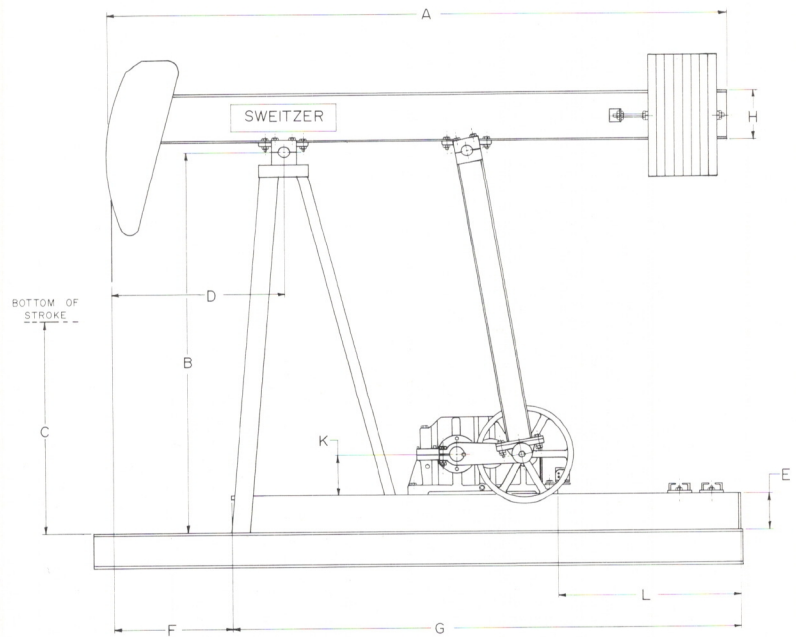
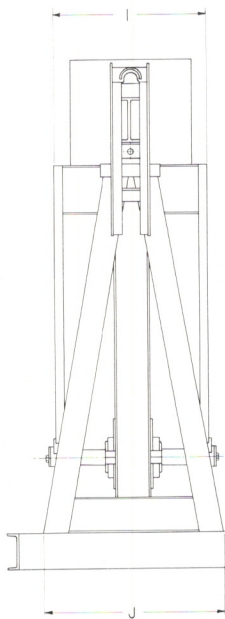
Specifications for Sweitzer Pumping Units

Model No. 25-67-36 GEAR REDUCER

Peak Torque Rating	25,000 in. lbs.
Nominal Horsepower Rating	7.9 @ 20 s.p.m.
Reduction Ratio	34.33:1
Type Bearings	Tapered Roller
Sheave Section	2b x 18.75" dia.
Oil Capacity	14 qts.

STRUCTURE

Unit Structure Rating	6,700 lbs.
Stroke	30-36"
Well Working Center	31"
Walking Beam Section and Weight	10" @ 22 lbs.
Height of Saddle Bearing Above Top of Foundation	80"
Overall Length of T-frame	108"
Width of T-frame	36"
Section and Weight of Main T-frame Members	8" channel 11.5 lbs.
Length of Base	144"
Width of Base	47"
Beam Counter Weights	150 lbs.
Wrist Pin Bearings	Bushing-Sweitzer Wear Ever
Total Weight of Unit	2,000 lbs.



	A	B	C	D	E	F	G	H	I	J	K	L
25-67-36	142	80	48	44	8	32	110	10	32-3/4	37	8-1/8	43

Sweitzer Manufacturing, Inc.

Highway 31 W North
 CAVE CITY, KENTUCKY 42127
 Office (502) 773-2179 or 773-2170

(over)