



Model No. 50-89-48



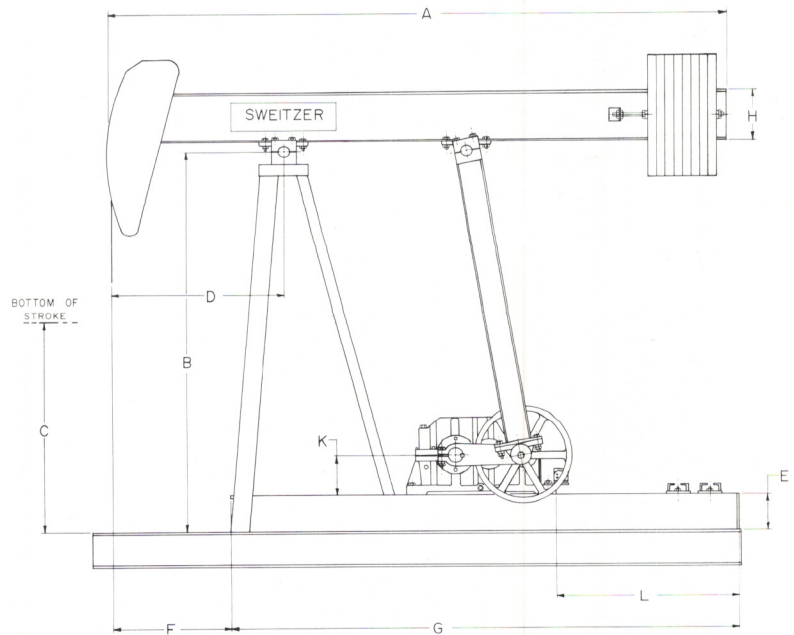
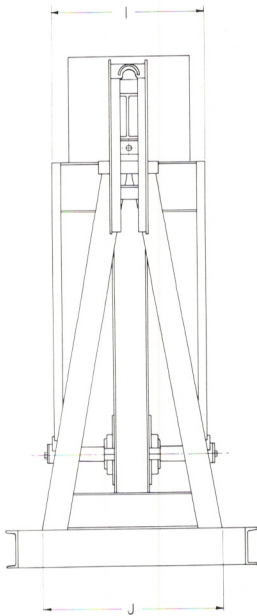
# Specifications for Sweitzer Pumping Units

## Model No. 50-89-48 GEAR REDUCER

|                                 |                 |
|---------------------------------|-----------------|
| Peak Torque Rating .....        | 40,000 in. lbs. |
| Nominal Horsepower Rating ..... | 12.7            |
| Reduction Ratio .....           | 29.49:1         |
| Type Bearings .....             | Tapered Roller  |
| Sheave Section .....            | 3B x 20" dia.   |
| Oil Capacity .....              | 19 qts.         |

### STRUCTURE

|   |                            |
|---|----------------------------|
| Unit Structure Rating .....                               | 8,900 lbs.                 |
| Stroke .....  | 42" to 48"                 |
| Well Working Center .....                                 | 50"                        |
| Walking Beam Section and Weight .....                     | 14" @ 43 lbs.              |
| Height of Saddle Bearing Above<br>Top of Foundation ..... | 108"                       |
| Overall Length of T-frame .....                           | 144"                       |
| Width of T-frame .....                                    | 48"                        |
| Section and Weight of Main<br>T-frame Members .....       | 12" @ 20.7 lbs.            |
| Base (Optional) Length of Base .....                      | 180"                       |
| Width of Base .....                                       | 76"                        |
| Beam Counter Weights .....                                | 150 lbs.                   |
| Wrist Pin Bearings .....                                  | Bushing-Sweitzer Wear Ever |
| Total Weight of Unit .....                                | 4,950 lbs.                 |



|          | A   | B   | C  | D  | E  | F  | G   | H  | I  | J      | K      | L  |
|----------|-----|-----|----|----|----|----|-----|----|----|--------|--------|----|
| 50-89-48 | 192 | 108 | 62 | 60 | 12 | 49 | 147 | 14 | 39 | 48-3/4 | 21-1/8 | 60 |

*Sweitzer Manufacturing, Inc.*

Highway 31-W North  
 CAVE CITY, KENTUCKY 42127  
 Office (502) 773-2179 or 773-2170

(over)