



Model No. 57-109-48



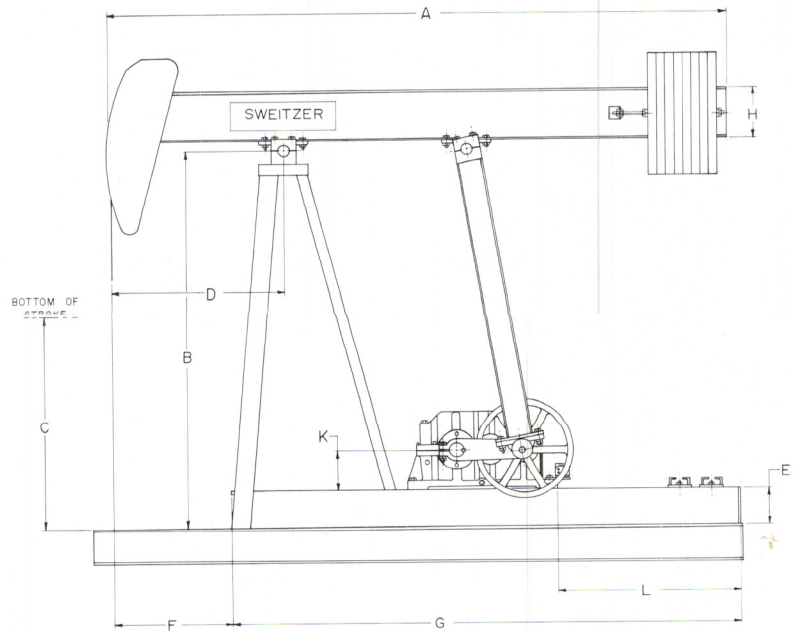
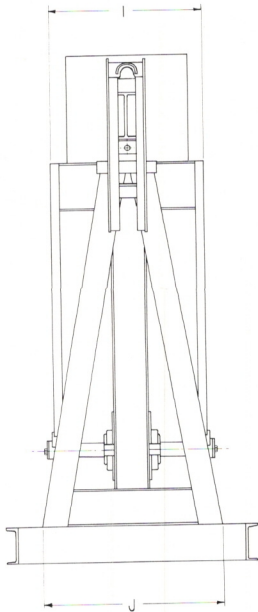
# Specifications for Sweitzer Pumping Units

## Model No. 57-109-48 GEAR REDUCER

Peak Torque Rating .....	57,000 in. lbs.
Nominal Horsepower Rating .....	18.1
Reduction Ratio .....	29.49:1
Type Bearings .....	Tapered Roller
Sheave Section .....	3B x 20" dia.
Oil Capacity .....	26 qts.

### STRUCTURE

Unit Structure Rating .....	10,900 lbs.
Stroke .....	42" to 48"
Well Working Center .....	50"
Walking Beam Section and Weight .....	14" @ 43 lbs.
Height of Saddle Bearing Above Top of Foundation .....	108"
Overall Length of T-frame .....	144"
Width of T-frame .....	48"
Section and Weight of Main T-frame Members .....	12" @ 20.7 lbs.
Base (Optional) Length of Base .....	180"
Width of Base .....	76"
Beam Counter Weights .....	150 lbs.
Wrist Pin Bearings .....	Bushing-Sweitzer Wear Ever
Total Weight of Unit .....	5,100 lbs.



	A	B	C	D	E	F	G	H	I	J	K	L
57-109-48	192	108	62	60	12	49	147	14	39	48-3/4	21-1/8	60

*Sweitzer Manufacturing, Inc.*

Highway 31-W North  
 CAVE CITY, KENTUCKY 42127  
 Office (502) 773-2179 or 773-2170

(over)