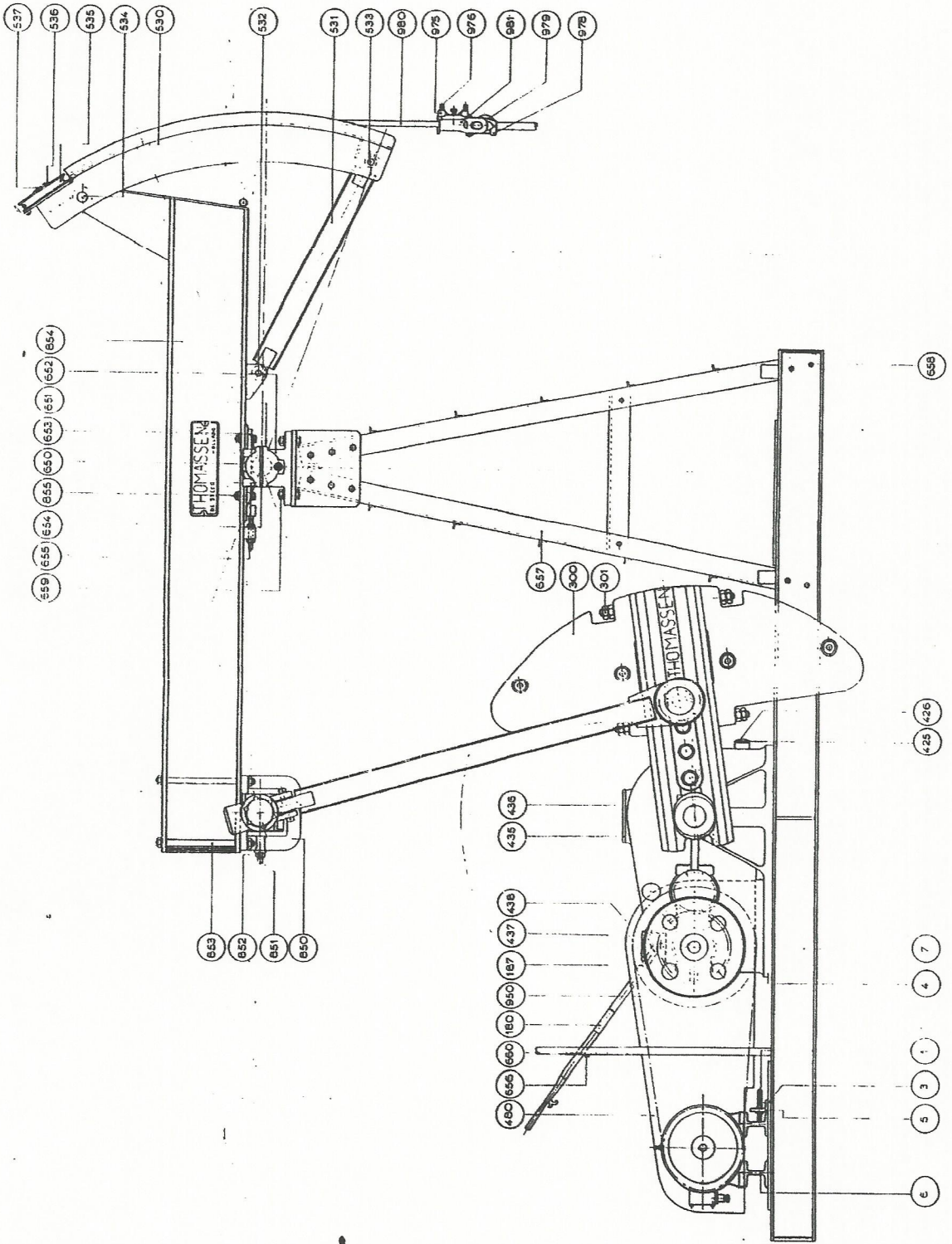


**ORIGINAL PARTSBOOK
PARTSBOOK YANG ASLI
THOMASSEN PUMPING UNIT
TYPE 730 BF**

**ORIGINAL PARTSBOOK
PARTSBOOK YANG ASLI
THOMASSEN PUMPING UNIT
TYPE 730 BF**

02.25.42.03B



GROUP: 02 CEMENT & PRODUCTION MACHINERY

SUB-GROUP: 25 PUMPING UNITS, BEAM TYPE, CONTINENTAL, THOMASSEN

SUB-SUB-GROUP: 81.98

PARTS TYPE 730 BF (MESC 02.25.42)

Page :

SERIAL NOS	INDENT REFERENCE	YEAR OF MFG	REMARKS
1039	748 aWN	1949	Electric motor
1123 to 1128 incl.	DIR 504/1 IOJ	1949	S-3
1129 to 1137 incl.	4181 VOC/BAC	1949	S 3
1138 to 1152 incl.	4181 VOC/BAC	1949	Supplied, for drive by S 3 motor, but changed locally for electric motor driver.
1165 to 1177 incl.	HV 0002 PL	1949	Electric motor
1178 to 1186 incl.	7543/001 IPL/NIA/Z1	1952	Electric motor
1187, 1188	2553 IOJ/Z1	1952	S 3
1192 to 1194 incl.	4182 VOC/BAC	1949	Electric motor
1195 to 1197 incl.	5110/19 COL-C	1949	Electric motor
1198 to 1203 incl.	HB 0629 IOJ	1949	Electric motor
1204	5110/25 COL-C	1949	Electric motor
1205 to 1207 incl.	5110/20 COL-C	1949	Electric motor
1208 to 1210 incl.	5110/27 COL-C	1949	Electric motor
1211 to 1213 incl.	5110/28 COL-C	1949	Electric motor
1214, 1215	9022 VOC/LGS	1949	Electric motor
1216 to 1224 incl.	4181 VOC/BAC	1950	Electric motor
1225 to 1236 incl.	HB 0629 IOJ	1950	Electric motor
1237 to 1254 incl.	9022 VOC/LGS /01	1950	Electric motor
1255 to 1266 incl.	9022 VOC/LGS /Z3	1950	Electric motor
1267, 1268	4755/007 VOC/BAC/01	1950	Electric motor
1269 to 1278 incl.	0034 VOC/TIJ/01	1950	Electric motor
1279 to 1281 incl.	2655/002 VCP/MGR/Z1	1951	Electric motor
1282 to 1302 incl.	4755/007 VOC/BAC/01	1951	Electric motor

DRAWING(S):

N° 02.25.42 - Figs. C1/01A/02/02A/03/03A/03B/03C/03D/
C3E/03F/04/04A/05

(4), March '57

GROUP: 02

CEMENT & PRODUCTION MACHINERY

SUB-GROUP: 25

PUMPING UNITS, BEAM TYPE, CONTINENTAL, THOMASSEN

UB-SUB-GROUP: 81-98

PARTS TYPE 730 BF (MESC 02.25.42)

Page 52

SERIAL NOS	INDENT REFERENCE	YEAR OF MFG	REMARKS
1303 to 1319 incl.	9194/008 VOC/LAG/01	1951	Electric motor
1320 to 1332 incl.	9194/008 VOC/LAG/01	1951	Electric motor
1333 to 1337 incl.	9194/008 VOC/LAG/01	1951	Electric motor
1338 to 1341 incl.	9194/008 VOC/LAG/01	1951	Electric motor
1437 to 1457 incl.	2732 VOC/LGS/Z1	1954	Electric motor
1545 to 1571 incl.	2094 VOC-B/Z2	1951	Electric motor
1572 to 1582 incl.	9194/008 VOC/BAC/01	1951	Electric motor
1583 to 1588 incl.	7544/001 IPL/Z1	1952	Electric motor
1589 to 1591 incl.	7543/001 IPL/NIA/Z1	1952	Electric motor
1752 to 1776 incl.	8480/001 IPL/Z1	1952	Electric motor
1777 to 1782 incl.	0323/001 NIA/IPL/Z1	1952	Electric motor
1783 to 1787 incl.	4344/6 NNG/01	1952	"Samofa" diesel motor
1798 to 1805 incl.	1746/001 IOJ/Z1	1952	S 3
1813 to 1822 incl.	0631 IBP/Z3	1952	Electric motor
1823 to 1828 incl.	PD 0437 VOC/LGS/Z1	1953	Electric motor
1829 to 1859 incl.	IA 0213 IPL/NIA/Z1	1953	Electric motor
1890 to 1939 incl.	7425 VOC/BAC/01	1953	Electric motor
1940 to 1950 incl.	1746/003 IOJ/Z1	1953	S 3
1956 to 1988 incl.	2805/001 IOJ/Z1	1954	S 3
1989	HB 0125 BPM/STK/Z1	1954	S 3
2012	7493 IPL/Z1	1954	Gearhousing c/w cranks, shaf gearwheel and V-belt pulley but without structural steel base, Samson post walking be horse head, counterweight, V-belt hood and V-belts.

GROUP: 02

CEMENT & PRODUCTION MACHINERY

SUB-GROUP: 25

PUMPING UNITS, BEAM TYPE, CONTINENTAL, THOMASSEN

SUB-SUB-GROUP: 81-98

PARTS TYPE 730 BF (MESC 02.25.42)

Page

SERIAL NOS	INDENT REFERENCE	YEAR OF MFG	REMARKS
2056 to 2061 incl.	0158/001 NIA/IPL/Z1	1953	Electric motor
2062 to 2073 incl.	0102/001 IPL/NIA/Z1	1953	Electric motor
2074 to 2076 incl.	7588/001 NNG/01	1953	Electric motor
2077 to 2086 incl.	5470 NAM/Z1	1953/54	Electric motor
2087, 2088	0187/001 NIA/IPL/01	1954	Electric motor
2089 to 2091 incl.	0187/001 NIA/IPL/01	1954	02
2092 to 2096 incl.	7588/001 NNG/02	1954	"Samofa" diesel motor
2097 to 2112 incl.	7425 VOC/BAC/Z2	1953	Electric motor
2113 to 2130 incl.	7425 VOC/BAC/Z2	1953	Electric motor
2149 to 2169 incl.	9482 VOC/BAC/Z1	1954	Electric motor
2170 to 2193 incl.	9482 VOC/BAC/Z1	1954	Electric motor
2200	0187/001 NIA/IPL/01	1954	Electric motor
2201 to 2219 incl.	HB 0145 BPM/STK/Z1	1954	Electric motor
2220 to 2224 incl.	FP 9162/001 IBP/Z2	1954	Electric motor
2225	7588/001 NNG/03	1954	"Samofa" motor
2226 to 2229 incl.	FP 0504/001 NIA/IPL/Z3	1955	Electric motor
2589 to 2592 incl.	FP 6300/001 IBP/X1	1956	Electric motor

GROUP: 02 CEMENT & PRODUCTION MACHINERY
SUB-GROUP: 25 PUMPING UNITS, BEAM TYPE, CONTINENTAL, THOMASSEN

SUB-SUB-GROUP: B1-98

PARTS TYPE 730 BF (MESC 02.25.42)

Page F

TECHNICAL DATA

Maximum polished rod load:	15000 lbs.
Polished rod strokes:	54" (42" - 30" - 18")
API rating at 20 strokes/min.:	123500 lbs.in.
Maximum pitch dia. drive shaft V-belt pulley:	28 $\frac{3}{8}$ " (720 mm)
V-belts type:	5 x 0
Gear ratio, number of teeth slow and high:	1 : 29.5 - 19/102 -
Speed gear:	20/110
Face width of slow and high speed gear:	7" (180 mm) - 3 $\frac{1}{2}$ " (90 mm)
Drive shaft dia.:	2 $\frac{3}{4}$ " (70 mm)
Wrist pin dia.:	3" (75 mm)
Stroke ratio at end of walking beam:	6'6 $\frac{3}{4}$ " : 6'6 $\frac{3}{4}$ " (2000 : 2000)
Maximum counter balance effect in lbs. polished rod load:	9000
Samson post height:	9'8 $\frac{3}{4}$ " (2965 mm)
Minimum pitch dia. motor V-belt pulley:	8 21/32" (220 mm)
Weight:	6960 kg.

GROUP: 02

CEMENT & PRODUCTION MACHINERY

SUB-GROUP: 25

PUMPING UNITS, BEAM TYPE, CONTINENTAL, THOMASSEN

SUB-SUB-GROUP: 81-98

PARTS TYPE 730 BF (MESC 02.25.42)

Page

INDEX OF ASSEMBLIES

DESCRIPTION	ITEM ALLOCATION
BASE	81.100 - 81.620
BEARINGS	
BEARING (MAINSHAFT-)	82.100
BEARING (PINIONSHAFT-)	82.250 - 82.350
BEARING (COUNTERSHAFT-)	82.500 - 82.600
BRAKE	83.100 - 85.905
COUNTERWEIGHT	85.100 - 85.150
CROSSBEAM - ASSEMBLY	86.550 - 87.871
GEAR HOUSING - ASSEMBLY	88.100 - 88.850
HOODS	
HOOD (BELT DRIVE-)	89.500 - 89.625
HOOD (ENGINE-)	89.750
HORSE HEAD - ASSEMBLY	90.100 - 90.500
PITMAN - ASSEMBLY	91.100 - 92.010
CAMSON POST	93.100 - 93.725
SHAFTS	
SHAFT (MAIN-)	94.100 - 94.300
SHAFT (PINION-)	95.100 - 95.200
SHAFT (COUNTER-)	96.100 - 96.400
WALKING BEAM	97.100 - 97.350
MISCELLANEOUS	
V-BELTS	98.100 - 98.150
BEAM HANGER	98.500 - 98.800
SPECIAL TOOLS	98.950 - 98.951

(3), March '57

GROUP: 02 CEMENT & PRODUCTION MACHINERY

SUB-GROUP: 25 PUMPING UNITS, BEAM TYPE, CONTINENTAL, THOMASSEN

SUB-SUB-GROUP: 81.98

PARTS TYPE 730 BF (MESC 02.25.42)

S. S. GROUP ITEM INDICATOR	DESCRIPTION	REF. IN DRWG.	MANUFACTURERS PART No	REMARKS
	BASE			Drwg. 02.25.42 Fig.
81.100.x	Thrust bolt	(2) 1-2	201 1 BE	O3, O3F
81.150.x	Bolt	(2) 3	210 CD	O3, O3B, O3D, O3E, O3F. On serial nos 1039, 1165 to 1186 incl., 1192 to 1737 incl., 1813 to 1939 incl., 1951, 2056 to 2091 incl., 2097 to 2224 incl., 2226 to 2592 incl. only. Extra supplied for serial nos 1138 to 1152 incl. only.
97.405.x	Bolt	(2) 3	210 DH	O3C On serial nos 2092 to 2096 incl., 2225 only.
81.205.x	Bolt, for item 81.300	(2) -	210 CE	On serial nos 1187, 1188 only.
81.230.x	Bolt, for item 84.700	(3) -	210 BK	On serial nos 1783 to 1787 incl., 1813 to 1828 incl., 1951, 2092 to 2592 incl. only.
81.200.x	Bolt	(10) 4	210 EG	O3, O3F On all serial nos except 2012.
81.250.x	Chair for engine adjusting bolt	(2) 5	576 BH	O3, O3B, O3D, O3E. On serial nos 1039, 1165 to 1186 incl., 1192 to 1782 incl., 1813 to 1939 incl., 1951, 2056 to 2088 incl., 2097 to 2224 incl., 2226 to 2229 incl. only. Extra supplied for serial nos 1138 to 1152 incl. only (5), March '57

GROUP: 02 CEMENT & PRODUCTION MACHINERY

SUB-GROUP: 25 PUMPING UNITS, BEAM TYPE, CONTINENTAL, THOMASSEN

SUB-SUB-GROUP: 81-98

PARTS TYPE 730 BF (MESC 02.25.42)

Page

S. S. GROUP ITEM INDICATOR	DESCRIPTION	REF. IN DRWG.	MANUFACTURERS PART No	REMARKS
	BASE (CONT'D)			Drwg. 02.25.42 Fig.
81.300.x	Chair for engine adjusting (2) bolt	5	576 BJ	03A On serial nos. 1123 to 1152 incl. 1187, 1188, 1798 to 1805 incl 1940 to 1950 incl 1986 to 1989 incl. only
81.305.x	Chair for engine adjusting (2) bolt	5	576 BG	03C On serial nos. 1783 to 1787 incl. 2089 to 2096 incl. 2225, 2589 to 2592 incl. only
81.350.x	Skid (1)	6	631 AG 1-2	03, 03B, 03D, 03E On serial nos. 1039 1165 to 1186 incl. 1192 to 1782 incl. 1813 to 1839 incl. 2056 to 2088 incl. 2097 to 2592 incl. only. Extra supplied for serial nos. 1138 to 1152 incl. only
81.400.x	Skid (1)	6	S 631 H 1-2	03A On serial nos. 1123 to 1128 incl. only.
81.401.x	Skid (1)	6	S 631 1 H 1-2	03A On serial no. 1989 only.
81.405.x	Skid (1)	6	631 CF	03C On serial nos. 1783 to 1787 incl. only.
				(5), March '57

GROUP: 02 CEMENT & PRODUCTION MACHINERY

SUB-GROUP: 25 PUMPING UNITS, BEAM TYPE, CONTINENTAL, THOMASSEN

SUB-SUB-GROUP: 81-98

PARTS TYPE 730 BF (MESC 02.25.42)

Page 3

S. S. GROUP ITEM INDICATOR	DESCRIPTION	REF. IN DRWG.	MANUFACTURERS PART No	REMARKS
	BASE (CONT'D)			Drwg. 02.25.42 Fig.
81.450.x	Structural steel base (for electric motor under Samson post)	(1) 7	730 BF 110 A-C	03 On serial nos. 1039 1165 to 1186 incl., 1192 to 1215 incl., 1225 to 1266 incl., 1583 to 1591 incl., 1772 to 1782 incl., 1813 to 1822 incl., 1829 to 1839 incl., 2056 to 2088 incl. only.
81.500.x	Structural steel base (for engine type S 3)	(1) 7	730 BF 109 A-C	03A On serial nos. 1123 to 1152 incl., 1187, 1188, 1798 to 1805 incl., 1940 to 1950 incl., 1986 to 1989 incl. only, but on serial nos. 1138 to 1152 incl. modified locally in 02.25.81.550
81.550.x	Structural steel base (for electric motor outside Samson post)	(1) 7	730 BF 108 A-D	03B On serial nos. 1216 to 1224 incl., 1267 to 1341 incl., 1542 to 1582 incl. only.
81.570.x	Structural steel base (for Samofa diesel engine outside Samson post)	(1) 7	730 BF 113 A-D	03C On serial nos. 1783 to 1787 incl. only.
81.554.x	Structural steel base (for electric motor outside Samson post)	(1) 7	730 1 BF 108	03D On serial nos. 1823 to 1828 incl., 1951, 2097 to 2130 incl. only.
81.590.x	Structural steel base (for electric motor outside Samson post)	(1)	730 2 BF 108 A-D	03D On serial nos. 1437 to 1457 incl., 2149 to 2193 incl. only.
				(5), March '57

GROUP: 02 CEMENT & PRODUCTION MACHINERY

SUB-GROUP: 25 PUMPING UNITS, BEAM TYPE, CONTINENTAL, THOMASSEN

SUB-SUB-GROUP: 81-98

PARTS TYPE 730 BF (MESC 02.25.42)

Page 4

S. S. GROUP ITEM INDICATOR	DESCRIPTION	REF. IN DRWG.	MANUFACTURERS PART No	REMARKS
	BASE (CONT'D)			Drwg. 02.25.42 Fig.
81.600.x	Structural steel base (for Samcfa diesel engine outside Samson post)	(1) 7	730 BF 117 A-E	03C On serial nos. 2092 to 2096 incl. 2225 only.
81.610.x	Structural steel base (for electric motor under Samson post)	(1) 7	730 BF 116 A-C	03E On serial nos. 2200 to 2224 incl. 2226 to 2592 incl. only.
81.620.x	Structural steel base (for engine 02 but with sub-base)	(1) 7	730 BF 160	03F On serial nos. 2089 to 2091 incl. only.

(5), March '57

GROUP: 02 CEMENT & PRODUCTION MACHINERY

SUB-GROUP: 25 PUMPING UNITS, BEAM TYPE, CONTINENTAL, THOMASSEN

SUB-SUB-GROUP: 81.98

PARTS TYPE 730 BF (MESC 02.25.42)

S. S. GROUP ITEM INDICATOR	DESCRIPTION	REF. IN DRWG.	MANUFACTURERS PART No	REMARKS	
	BEARINGS			Drwg. 02.25.42 Fig.	
	BEARING (MAINSHAFT-)				
82.100.2	Brass	(4)	30	730 BF 12 A/B	02, 02A
	BEARING (PINIONSHAFT-)				
82.250.2	Roller bearing	(2)	45	Hyatt W 218	01, 01A On serial nos. 1039 to 1186 incl., 1192 to 1341 incl., 1542 to 1591 incl. only.
	Roller bearing	(2)	45	SKF 22218	01, 01A On serial nos. 1187, 1188, 1437 to 1457 incl., 1772 to 2592 incl. only. Refer 58.07.07.518.1
82.300.2	Retainer plate	(2)	46	730 BF 22	01, 01A On serial nos. 1039 to 1186 incl., 1192 to 1341 incl., 1542 to 1591 incl. only.
82.350.2	Roller bearing housing	(2)	47	730 BF 21	01, 01A

(5), March '57

GROUP: 02 CEMENT & PRODUCTION MACHINERY

SUB-GROUP: 25 PUMPING UNITS, BEAM TYPE, CONTINENTAL, THOMASSEN

SUB-SUB-GROUP: 81-98

PARTS TYPE 730 BF (MESC 02.25.42)

Page

S. S. GROUP ITEM INDICATOR	DESCRIPTION	REF. IN DRWG.	MANUFACTURERS PART No	REMARKS
	BEARINGS (CONT'D) BEARING (COUNTERSHAFT-)			Drwg. 02.25.42 Fig.
82.500.2	Roller bearing	(2) 60	Hyatt W 215	01, 01A On serial nos. 1039 to 1186 incl. 1192 to 1341 incl. 1542 to 1591 incl. only.
	Roller bearing	(2) 60	SKF 22215	01, 01A On serial nos. 1187, 1188, 1437 to 1457 incl. 1772 to 2592 incl. only. Refer 58.07.07.515.
82.550.2	Retainer plate	(2) 61	730 AC 67	01, 01A On serial nos. 1039 to 1186 incl. 1192 to 1341 incl. 1542 to 1591 incl. only.
82.600.2	Roller bearing housing	(2) 62	730 BF 8	01, 01A

(5), March '57

GROUP: 02 CEMENT & PRODUCTION MACHINERY

SUB-GROUP: 25 PUMPING UNITS, BEAM TYPE, CONTINENTAL, THOMASSEN

SUB-SUB-GROUP: 81-98

PARTS TYPE 730 BF (MESC 02.25.42)

Page 7

S. S. GROUP ITEM INDICATOR	DESCRIPTION	REF. IN DRWG.	MANUFACTURERS PART No	REMARKS
	BRAKE			Drwg. 02.25.42 Fig.
83.100.x	Brake lever handle	(1) 180	730 BF 39	01 On serial nos. 1039, 1165 to 1186 incl., 1192 to 1215 incl., 1225 to 1266 incl., 1338 to 1341 incl., 1572 to 1591 incl., 1772 to 1782 incl., 1813 to 1822 incl., 1829 to 1839 incl., 2012, 2056 to 2088 incl. only.
83.150.x	Brake lever handle	(1) 180	730 AF 50	01A On serial nos. 1123 to 1152 incl., 1187, 1188, 1798 to 1805 incl., 1940 to 1950 incl., 1986 to 1989 incl. only.
83.155.x	Brake lever handle	(1) 180	730 BF 107	01 On serial nos. 1216 to 1224 incl., 1267 to 1337 incl., 1542 to 1571 incl. only. Extra supplied for serial nos. 1138 to 1152 incl. only.
83.160.x	Brake lever handle	(1) 180	730 BF 74 A	03F) On serial nos.
83.170.x	Brake lever	(1) 180A	730 BF 49 A	03F) 2089 to 2091 incl. only.
83.200.x	Brake bracket	(2) 181	730 BF 40	01A On serial nos. 1123 to 1152 incl., 1187, 1188, 1798 to 1805 incl., 1940 to 1950 incl., 1986 to 1989 incl., 2089 to 2091 incl. only but on serial nos. 1138 to 1152 ... removed locally (5), March '57

GROUP: 02 CEMENT & PRODUCTION MACHINERY

SUB-GROUP: 25 PUMPING UNITS, BEAM TYPE, CONTINENTAL, THOMASSEN

SUB-SUB-GROUP: 81-98

PARTS TYPE 730 BF (MESC 02.25.42)

Page

S. S. GROUP ITEM INDICATOR	DESCRIPTION	REF. IN DRWG.	MANUFACTURERS PART No	REMARKS
	BRAKE (CONT'D)			Drwg. 02.25.42 Fig.
83.250.x	Brake bracket	(1) 182	730 BF 41	01, 01A
83.300.2	Brake shaft	(1) 183	730 BF 42	01A, 03F)
83.350.x	Brake lever complete (provided with)	(1) 184	730 AF 43	01A, 03F))*
83.450.2	Fulcrum pin	(1) 185	730 AB 105	01A, 03F)
83.500.2	Connecting rod	(1) 186	730 BF 45	01A, 03F)
				*On serial nos. 1123 to 1152 incl. 1187, 1188, 1798 to 1805 incl. 1940 to 1950 incl. 1986 to 1989 incl. 2089 to 2091 incl. only, but on serial nos. 1138 to 1152 incl. removed local
83.550.x	Brake lever complete (provided with)	(1) 187	730 BF 46 A	01 On serial nos. 1039 1165 to 1186 incl. 1192 to 1341 incl. 1542 to 1782 incl. 1813 to 1822 incl. 1829 to 1839 incl. 2012, 2056 to 2088 incl. only. Extra supplied for serial nos. 1138 to 1152 incl. only.
83.600.x	Tap bolt, for item 83.550	(2) -	181 A	030, 03D, 03E On serial nos. 1437 to 1457 incl.. 1783 to 1787 incl.. 1823 to 1828 incl.. 1890 to 1939 incl.. 1951, 2092 to 2592 incl. only.
83.700.x	Lock plate, for item 83.550	(1) -	730 BF 96	
83.570.x	Brake lever complete (provided with)	(1) 187	730 BF 46 B 1	
83.600.x	Tap bolt	(2) -	181 A	
83.700.x	Lock plate	(1) -	730 BF 96	
				(5), March '57

GROUP: 02

CEMENT & PRODUCTION MACHINERY

SUB-GROUP: 25

PUMPING UNITS, BEAM TYPE, CONTINENTAL, THOMASSEN

SUB-SUB-GROUP: B1.98

PARTS TYPE 730 BF (MESC 02.25.42)

Page

S. S. GROUP ITEM INDICATOR	DESCRIPTION	REF. IN DRWG.	MANUFACTURERS PART No	REMARKS
	BRAKE (CONT'D)			Drwg. 02.25.42 Fig.
83.750.x	Brake lever complete (provided with)	(1) 188	730 BF 47	01A, 03F On serial nos. 1123 to 1152 incl. 1187, 1188, 1798 to 1805 incl. 1940 to 1950 incl. 1986 to 1989 incl. 2089 to 2091 incl. only, but on serial nos. 1138 to 1152 incl. removed local
83.600.x	Tap bolt, for item 83.750	-	181 A	
83.700.x	Lock plate, for item 83.750	-	730 BF 96	
83.950.x	Brake bracket complete (provided with)	(1) 190	730 BF 73	01, 01A, 03D, 03F
84.050.x	Fulcrum pin	191	730 BF 78	01, 01A, 03D, 03F
84.100.2	Tie spring	(1) 192	730 AB 80	01, 01A, 03D
84.150.2	Brake segment complete (provided with)	(2) -	730 BF 81	
84.250.2	Fulcrum pin	(2) 193	730 AK 79	01, 01A, 03D
84.350.2	Rivet, for item 84.400	(36) -	6 ϕ x 30	
84.400.2	Brake lining	(2) 196	580 x 50 x 6 mm	01, 01A
84.450.2	Chain connection	197	730 AK 108	01, 01A)
84.500.2	Tie spring, for item 84.450	(1) -	351 1 CK) *On serial nos. 1039 to 1341 incl. 1542 to 1782 incl. 1798 to 1822 incl. 1829 to 1839 incl. 1940 to 1950 incl. 1986 to 1989 incl. 2056 to 2091 incl. only.
84.550.x	Ring, for item 83.300	(2) -	221 CK)On serial nos. 1123 to 1152 incl. 1187, 1188,
84.600.2	Key, for item 83.300	(1) -	356 BG)1798 to 1805 incl. 1940 to 1950 incl. 1986 to 1989 incl. 2089 to 2091 incl. only, but on serial nos. 1138 to 1152 incl. removed local (5), March '57

GROUP: 02 CEMENT & PRODUCTION MACHINERY

SUB-GROUP: 25 PUMPING UNITS, BEAM TYPE, CONTINENTAL, THOMASSEN

SUB-SUB-GROUP: 81-98

PARTS TYPE 730 BF (MESC 02.25.42)

Page 10

S. S. GROUP ITEM INDICATOR	DESCRIPTION	REF. IN DRWG.	MANUFACTURERS PART No	REMARKS
	BRAKE (CONT'D)			Drwg. 02.25.42 Fig.
84.650.2	Nipples, for items 83.200 and 83.250	-	1/8" gas	
84.700.x	Brake bracket complete (provided with)	(1) 205	730 BK 141)
84.800.x	Quadrant	(2) 206	730 BK 148)
84.850.x	Stud bolt	(4) 207	177)
84.900.x	Brake lever complete (compr. foll. parts)	(1) -	X 730 BK 142)
84.950.x	Brake lever	(1) 210	730 BK 142)
85.001.x	Handle	(1) 211	730 BK 143)
85.050.x	Lock plate	(2) 212	730 BK 144) O3C, O3D, O3E) On serial nos.
85.100.x	Tie rod	(2) 213	730 BK 145) 1437 to 1457 incl., 1783 to 1787 incl.,
85.150.x	Pawl	(1) 214	730 BK 146) 1823 to 1828 incl.,
85.200.2	Spring	(1) 215	730 BK 147) 1890 to 1939 incl., 1951,
85.250.x	Stud bolt	(2) -	A 137 = 104 J) 2092 to 2592 incl.) only.
85.300.x	Bolt	(2) 217	208 A)
85.350.x	Bolt	(1) 218	208 CD)
85.400.x	Screw	(1) 219	260 1 AF)
85.455.x	Pin	(1) 220	730 BF 149)
85.500.x	Pin	(4) 221	730 BK 150)
85.555.x	Lever bracket (provided with)	(1) 222	730 BF 151)
85.650.x	Lever	(1) 223	730 BK 152)
85.455.x	Pin	(1) 224	730 BF 149)
84.650.2	Nipple	(1) 225	1/8" gas) and O3F
85.705.x	Tie rod complete (provided with)	(1) 226	730 BF 153) and O3F) O3C, O3D, O3E) On serial nos.
85.800.x	Fork	(2) 227	730 BK 154) 1437 to 1457 incl. 1783 to 1787 incl.
85.850.x	Nut	(2) 228	300 J) 1823 to 1828 incl. 1890 to 1939 incl. 2097 to 2193 incl.) only.
				(5), March '57

GROUP: 02

CEMENT & PRODUCTION MACHINERY

SUB-GROUP: 25 PUMPING UNITS, BEAM TYPE, CONTINENTAL, THOMASSEN

SUB-SUB-GROUP: 81-98

PARTS TYPE 730 BF (MESC 02.25.42)

Page 11

S. S. GROUP ITEM INDICATOR	DESCRIPTION	REF. IN DRWG.	MANUFACTURERS PART No	REMARKS
	BRAKE (CONT'D)			Drwg. 02.25.42 Fig.
85.715.x	Tie rod (provided with)	(1) 226	730 BF 154)03C)On serial nos.)2092 to 2096 incl.,)2225 only.
85.800.x	Fork	(2) 227	730 BK 154)
85.850.x	Nut	(2) 228	300 J)
85.720.x	Tie rod (provided with)	(1) 226	730 BF 156)03E)On serial nos.)2200 to 2224 incl.)2226 to 2592 incl.)only.
85.800.x	Fork	(2) 227	730 BK 154)
85.850.x	Nut	(2) 228	300 J)
85.905.x	Connecting rod (provided with)	(1) 229	730 BF 155)03C, 03D, 03E)On serial nos.)1437 to 1457 incl.,)1783 to 1787 incl.,)1823 to 1828 incl.,)1890 to 1939 incl.,)1951,)2092 to 2592 incl.)only.
85.800.x	Fork	(2) 230	730 BK 154)
85.850.x	Nut	(2) 231	300 J)
	COUNTERWEIGHT			
86.100.x	Counterweight	(4) 300	730 BF 27)03, 03F)On all serial nos.)except 2012.
86.150.x	Bolt	(8) 301	730 AB 46)

(5), March '57

GROUP: 02 CEMENT & PRODUCTION MACHINERY

SUB-GROUP: 25 PUMPING UNITS, BEAM TYPE, CONTINENTAL, THOMASSEN

SUB-SUB-GROUP: 81-98

PARTS TYPE 730 BF (MESC 02.25.42)

Page 12

S. S. GROUP ITEM INDICATOR	DESCRIPTION	REF. IN DRWG.	MANUFACTURERS PART No	REMARKS
	CROSSBEAM - ASSEMBLY (consists of foll. parts)	-	-	Drwg. 02.25.42 Fig.
86.550.2	Upper Pitman bearing complete (compr. foll. parts)	(2) -	730 BF 30	On serial nos. 1039 to 1177 incl., 1192 to 1591 incl. only.
86.600.x	Oil cover	(2) 350	480 CA	02, 02A
86.650.2	Upper Pitman bearing only	(2) 351	730 BF 30	02, 02A
86.700.2	Bearing liner brass	(2) 352	730 BF 31	02, 02A
86.750.2	Oil sealing ring complete (compr. foll. parts)	(2) -	730 2 J 35	
86.800.2	Oil sealing ring only	(2) 353	730 2 J 35	02, 02A
86.850.2	Garlock ring	1 354	N° 2519	02, 02A
86.551.2	Upper Pitman bearing complete (compr. foll. parts)	(2) -	730 1 BF 30	On serial nos. 1178 to 1188 incl., 1437 to 1457 incl., 1772 to 1989 incl., 2056 to 2592 incl. only.
86.651.2	Upper Pitman bearing only	(2) 351	730 1 BF 30	02, 02A, 04
86.700.2	Bearing liner brass	(2) 352	730 BF 31	04
86.765.2	Benzolite packing	(2) 352A	730 BF 32	02, 02A, 04
86.870.2	Labyrinth ring	(2) 353	730 BF 132	02, 02A, 04, 05
86.920.2	Packing ring	354	730 BF 33	On serial nos. 1178 to 1188 incl., 1437 to 1457 incl., 1772 to 1989 incl., 2056 to 2592 incl. only.
86.900.x	Bearing cover	(2) 355	730 J 36	02, 02A On serial nos. 1039 to 1177 incl., 1192 to 1591 incl. only.
86.950.2	Pitman knuckle pin	(2) 356	730 BF 44	02, 02A On all serial nos. except 2012. (5), March '57

GROUP: 02 CEMENT & PRODUCTION MACHINERY

SUB-GROUP: 25 PUMPING UNITS, BEAM TYPE, CONTINENTAL, THOMASSEN

SUB-SUB-GROUP: 81-98

PARTS TYPE 730 BF (MESC 02.25.42)

S. S. GROUP ITEM INDICATOR	DESCRIPTION	REF. IN DRWG.	MANUFACTURERS PART No	REMARKS
	CROSSBEAM - ASSEMBLY (CONT'D)			Drwg. 02.25.42 Fig.
87.001.x	Lock ring	(2) 357	730 1 J 27)
87.050.x	Crossbeam	(1) 358	730 BF 51	To be replaced by), 02.25.87.051,) 02.25.87.120,) 02.25.87.685.)
				* 02, 02A On serial nos. 1039 to 1177 incl., 1192 to 1591 incl.
87.051.x	Crossbeam	(1) 358	730 2 BF 51	02, 02A On serial nos. 1178 to 1186 incl., 1437 to 1457 incl., 1772 to 1989 incl., 2056 to 2592 incl. only.
84.650.2	Nipple, for item 86.950	-	1/8" gas	On all serial nos. except 2012.
87.210.2	Lubricating oil pump (compr. foll. parts)	(2) -	X 730 BF 130	On serial nos. 1178 to 1186 incl., 1772 to 1828 incl., 1940 to 1951 incl.,) 2097 to 2125 incl.) only.
87.225.2	Special bolt	(2) 360	185 DF	Extra supplied for) indents 3031 IPL/Z1, 1776 VOC/LGS/Z1.
87.250.x	Lock plate	(2) 361	231 BA	To be replaced by) 02.25.87.212.)
87.275.2	Lock ring	(2) 362	233 AKB	
87.300.x	Plug	(4) 363	282 FE	
87.325.2	Spring	(2) 364	350 DGA	
88.200.2	Sight feed glass	(2) 365	X 396 AB 1	
87.350.2	Metal asbestos joint	(2) 366	421 JC)
87.375.x	Cover	367	475 BEB	*04, 04A)
87.410.x	Pump body (provided with)	(2) 369	730 BF 130	
87.450.2	Plunger guide	(2) 370	730 BE 139	04, 04A
87.525.x	Bolt	(2) -	236 AED	
87.475.2	Plunger	(2) 371	730 BE 131	04, 04A
87.500.x	Ball retainer	(2) 372	730 BE 134	04, 04A
87.525.x	Spring holder	(2) 373	730 BE 140	04, 04A
87.550.x	Oil baffle plate	(2) 374	730 BE 141	04, 04A (4), March '57

GROUP: 02 CEMENT & PRODUCTION MACHINERY

SUB-GROUP: 25 PUMPING UNITS, BEAM TYPE, CONTINENTAL, THOMASSEN

SUB-SUB-GROUP: 81-98

PARTS TYPE 730 BF (MESC 02.25.42)

S. S. GROUP ITEM INDICATOR	DESCRIPTION	REF. IN DRWG.	MANUFACTURERS PART No	REMARKS
	CROSSBEAM --ASSEMBLY (CONT'D)			Drwg. 02.25.42 Fig.
87.210.2	Lubricating oil pump (cont'd)			
-	Ball (2)	375	3/8"	04, 04A Refer 58.60.23.124.1
87.600.2	Seeger ring (2)	376	A 16 x ISB 1423	04, 04A
87.650.2	Special bolt (2)	377	730 BF 133	04, 05
87.685.x	Lock plate (2)	378	730 BF 135	04, 05
87.700.2	Packing (2)	379	427 ECE	04, 04A
87.725.2	Packing (2)	380	427 GFE	04, 04A
87.211.2	Lubricating oil pump (2) (consists of items 87.225, 87.250, 87.275, 87.300, 87.325, 88.200, 87.350, 87.375, 87.410, 87.475, 87.500, 87.525, 87.550, 58.60.22.124.1, 87.600, 87.650, 87.685, 87.700, 87.725 and of foll. parts)	-	A 730 BF 130	On serial nos. 1829 to 1839 incl., 1986 to 1989 incl., 2056 to 2096 incl., 2126 to 2130 incl. only. To be replaced by 02.25.87.212.
87.800.2	Plug (2)	-	282 GA	
87.825.2	Metal asbestos joint (2)	-	421 BF	
87.830.2	Metal asbestos joint (2)	-	421 DE	
87.750.2	Sieve (2)	381	730 BE 136 A	04A
	* For item 87.410			
87.212.2	Lubricating oil pump (2) (consists of items 87.225, 87.250, 87.275, 87.300, 87.325, 88.200, 87.350, 87.375, 87.525, 87.550, 58.60.22.124.1, 87.600, 87.650, 87.685, 87.700, 87.725 and of foll. parts)	-	B 730 1 BF 130	On serial nos. 1437 to 1457 incl., 2149 to 2592 incl. only.
87.411.x	Pump body (2) (provided with)	369	730 1 BF 130	04A
87.451.2	Plunger guide (2)	370	730 1 BE 139	04A
87.625.x	Bolt (2)	-	236 AMD	04A
				(5), March '57

GROUP: 02 CEMENT & PRODUCTION MACHINERY

SUB-GROUP: 25 PUMPING UNITS, BEAM TYPE, CONTINENTAL, THOMASSEN

SUB-SUB-GROUP: 81-98

PARTS TYPE 730 BF (MESC 02.25.42)

Page 2.

S. S. GROUP ITEM INDICATOR	DESCRIPTION	REF. IN DRWG.	MANUFACTURERS PART No	REMARKS
	CROSSBEAM - ASSEMBLY (CONT'D)			Drwg. 02.25.42 Fig.
87.212.2	Lubricating oil pump (cont'd)			
87.476.2	Plunger (2)	371	730 1 BE 131	04A
87.501.x	Ball retainer (2)	372	730 1 BE 134	04A
87.751.2	Sieve (2)	381	730 1 BE 136 A	04A
87.350.2	Metal asbestos joint	382	421 JC	04A
	Extra spare parts, when the lubricating oil pump on upper Pitman bearing is supplied afterwards:			Extra supplied for indents 3031 IPL/Z 1776 VOC/LGS/Z1.
87.100.x	Stud bolt	385	A 127	05
87.110.x	Stud bolt	386	A 154	05
87.120.x	Stud bolt	387	166 = 110 E	05
87.130.x	Lock plate	388	231 HE	05
87.140.x	Screw	389	225 C	05
87.150.2	Dowel pin	390	237 1 G	05
87.160.2	Oil plug	391	282 FJ	05
87.170.2	Packing ring	392	730 J 38	05
87.171.2	Labyrinth ring	393	730 BF 132 sp.A	05
87.180.2	Countersunk screw	394	3/8" x 1 1/4"	05
87.190.2	Spring washer	395	3/8"	05

(5), March '57

GROUP: 02

CEMENT & PRODUCTION MACHINERY

SUB-GROUP: 25

PUMPING UNITS, BEAM TYPE, CONTINENTAL, THOMASSEN

SUB-SUB-GROUP: 81-98

PARTS TYPE 730 BF (MESC 02.25.42)

Page 16

S. S. GROUP ITEM INDICATOR	DESCRIPTION	REF. IN DRWG.	MANUFACTURERS PART No	REMARKS
88.100.x	GEARHOUSING - ASSEMBLY (1) (consists of foll. parts)	-	730 BF 1 A/B	Drwg. 02.25.42 Fig.
87.275.2	Lock ring (1)	425	233 AKB	03 - 03F
88.200.2	Sight feed glass (1)	426	X 396 AB 1	03 - 03F
88.250.x	Gearhousing only (1)	427	730 BF 1 A/B	01, 01A, 03C, 03D, 03E, 03F.
88.300.x	Benzolite packing (2)	428	730 BF 10	01, 01A
88.350.x	Benzolite packing (2)	429	730 BF 11	01, 01A
88.400.x	Base for oil scraper complete (2)	430	730 BF 13	02, 02A
	(provided with)			
88.500.2	Oil scraper (2)	431	730 BF 14	02, 02A
88.550.2	Spring (2)	432	730 H 29	02, 02A
88.600.x	Benzolite packing (2)	433	730 BF 16	02, 02A
88.650.x	Benzolite packing (2)	434	730 J 19	02, 02A
88.700.x	Cover (1)	435	730 BF 34	03 - 03F
88.750.x	Benzolite packing (1)	436	730 BF 35	03 - 03F
88.800.x	Cover (1)	437	730 BF 36	03, 03B, 03C, 03D, 03E.
88.850.x	Benzolite packing (1)	438	730 BF 37	03, 03B, 03C, 03D, 03E.

(4), March '57

GROUP: 02 CEMENT & PRODUCTION MACHINERY

SUB-GROUP: 25 PUMPING UNITS, BEAM TYPE, CONTINENTAL, THOMASSEN

SUB-SUB-GROUP: 81-98

PARTS TYPE 730 BF (MESC 02.25.42)

Page 17

S. S. GROUP ITEM INDICATOR	DESCRIPTION	REF. IN DRWG.	MANUFACTURERS PART No	REMARKS
	HOODS HOOD (BELT DRIVE-)			Drwg. 02.25.42 Fig.
89.500.x	Hood	(1) 480	730 BF 82 A/B	03, 03B, 03D, 03E. On serial nos. 1039 1165 to 1186 incl., 1192 to 1782 incl., 1813 to 1839 incl., 1890 to 1939 incl., 1951, 2056 to 2088 incl., 2097 to 2130 incl., 2200 to 2224 incl., 2226 to 2592 incl. only. Extra supplied for serial nos. 1138 to 1152 incl. only.
89.600.x	Hood	(1) 480	730 BF 83 A/D	03A On serial nos. 1123 to 1152 incl. 1187, 1188, 1798 to 1805 incl., 1940 to 1950 incl., 1986 to 1989 incl. only.
89.605.x	Hood	(1) 480	730 BF 84	03C On serial nos. 1783 to 1787 incl., 2092 to 2096 incl., 2225 only.
89.620.x	Hood	(1) 480	730 BF 86 A	03D On serial nos. 1437 to 1457 incl., 2149 to 2193 incl. only.
89.625.x	Hood	(1) 480	730 BF 87	03F On serial nos. 2089 to 2091 incl. only.
				(5), March '57

GROUP: 02 CEMENT & PRODUCTION MACHINERY

SUB-GROUP: 25 PUMPING UNITS, BEAM TYPE, CONTINENTAL, THOMASSEN

SUB-SUB-GROUP: 81.98

PARTS TYPE 730 BF (MESC 02.25.42)

Page 18

S. S. GROUP ITEM INDICATOR	DESCRIPTION	REF. IN DRWG.	MANUFACTURERS PART No	REMARKS
	HOODS (CONT'D) HOOD (ENGINE-)			Drwg. 02.25.42 Fig.
89.750.x	Hood	(1) 4.)	616 DC	03A On serial nos. 1123 to 1137 incl., 1798 to 1805 incl., 1940 to 1950 incl., 1986 to 1988 incl. only.
90.100.x	HORSE HEAD - ASSEMBLY (consists of foll. parts)	(1) -	730 BF 115 A/E	On all serial nos. except 2012.
90.150.x	Horse head only	(1) 530	730 BF 115 A	03_03F
90.200.2	Thrust iron	(1) 531	730 BF 115 B	03_03F
90.250.2	Fulcrum pin	(1) 532	730 BF 88	03_03F
90.300.2	Fulcrum pin	(1) 533	730 BF 89	03_03F
90.350.2	Fulcrum pin	(1) 534	730 BF 90	03_03F
90.400.x	Sheave for suspension cable	(1) 535	730 BF 91	03_03F
90.450.x	Lock plate	(1) 536	730 BF 93	03_03F
90.500.x	Stud bolt	(1) 537	181 DE	03_03F

(5), March '57

GROUP: 02

CEMENT & PRODUCTION MACHINERY

SUB-GROUP: 25 PUMPING UNITS, BEAM TYPE, CONTINENTAL, THOMASSEN

SUB-SUB-GROUP: 81-98

PARTS TYPE 730 BF (MESC 02.25.42)

Page 19

S. S. GROUP ITEM INDICATOR	DESCRIPTION	REF. IN DRWG.	MANUFACTURERS PART No	REMARKS
91.100.x	PITMAN - ASSEMBLY LH (consists of foll. parts)	(1) -	-	Drwg. 02.25.42 Fig.
91.150.2	Crankpin LH thread (compr. foll. parts)	(1) 580	730 BF 24 L	02, 02A
91.200.x	Crankpin LH	(1) 580	730 BF 24 L	02, 02A
91.250.2	Nut LH thread	(1) 581	730 AC 26 L	02, 02A
91.300.2	Conical bush	582	730 BF 25	02, 02A
91.350.x	Bearing cover complete (provided with)	(1) 583	730 BF 28	02, 02A)
84.650.2	Nipple	(1) 584	1/8" gas	02, 02A)
91.500.x	Roller bearing housing complete (provided with)	(1) 585	730 BF 29	02, 02A) On all serial nos.)except 2012
91.600.2	Sealing ring, for item 91.500	(1) -	435 AGF)
-	Roller bearing	(1) 587	SKF 22315	02, 02A) Refer 58.07.10.515.1
91.700.x	Pitman rod	(1) 588	730 BF 65	02, 02A)
91.750.x	Lock plate	(1) 589	730 1 BF 94	02, 02A)
91.800.2	Copper packing	(1) 590	431 GF	02, 02A)
91.850.x	PITMAN - ASSEMBLY RH (consists of items 300, 350, 500, 700, 750, 800, 58.07.10.515.1 and of foll. parts)	(1) -	-	
91.900.2	Crankpin RH thread (compr. foll. parts)	(1) 591	730 BF 24 R	02, 02A
91.950.x	Crankpin RH thread only	591	730 BF 24 R	02, 02A
92.010.2	Nut RH thread	(1) 592	730 AC 26 R	02, 02A
				(5), March '57

GROUP: 02 CEMENT & PRODUCTION MACHINERY

SUB-GROUP: 25 PUMPING UNITS, BEAM TYPE, CONTINENTAL, THOMASSEN

SUB-SUB-GROUP: 81-98

PARTS TYPE 730 BF (MESC 02.25.42)

S. S. GROUP ITEM INDICATOR	DESCRIPTION	REF. IN DRWG.	MANUFACTURERS PART No	REMARKS
	SAMSON POST			Drwg. 02.25.42 Fig.
93.100.x	Guard (2)	650	730 BF 64 A	03, 03F)
93.150.x	Guard (2)	651	730 BF 64 B	03, 03F) On all
93.200.2	Centre iron bearing (1)	652	730 3 J 100 A/B	03, 03F) serial nos.
93.250.2	Centre iron (1)	653	730 BF 101 A	03, 03F) except 2012
93.300.x	Filling plate (2)	654	730 1 J 102	03, 05F)
93.350.2	Adjusting bolt (1)	655	730 BF 106	03, 03F)
93.400.x	Locking device (1)	656	730 AF 110 B	03, 03B On serial nos. 1039 1165 to 1186 incl., 1192 to 1782 incl. only. Extra supplied for serial nos. 1138 to 1152 incl. only.
93.405.x	Locking device (1)	656	X 730 AB 109 A	03A On serial nos. 1123 to 1152 incl., 1187, 1188, 1798 to 1805 incl., 1940 to 1950 incl., 1986 to 1989 incl. only.
93.410.x	Locking device (1)	656	X 730 BF 104 A	03 On serial nos. 1813 to 1822 incl., 1829 to 1839 incl., 2056 to 2088 incl. only.
93.450.x	Samson post (1)	657	730 BF 112 A/D	03, 03B On serial nos. 1039 1165 to 1186 incl., 1192 to 1782 incl. only.

(5), March '57

GROUP: 02 CEMENT & PRODUCTION MACHINERY

SUB-GROUP: 25 PUMPING UNITS, BEAM TYPE, CONTINENTAL, THOMASSEN

SUB-SUB-GROUP: 81-98

PARTS TYPE 730 BF (MESC 02.25.42)

Page 2.

S. S. GROUP ITEM INDICATOR	DESCRIPTION	REF. IN DRWG.	MANUFACTURERS PART No	REMARKS
	SAMSON POST (CONT'D)			Drwg. 02.25.42 Fig.
93.500.x	Samson post (1)	657	730 BF 111 A/C	03A, 03C, 03D, 03E, 03F. On serial nos. 1123 to 1152 incl., 1187, 1188, 1437 to 1457 incl., 1783 to 1805 incl., 1823 to 1828 incl., 1890 to 1951 incl., 1986 to 1989 incl., 2089 to 2096 incl., 2149 to 2229 incl. only.
93.451.x	Samson post (1)	657	(730 1 BF 112 (A/D	03, 03B, 03D On serial nos. 1813 to 1822 incl., 1829 to 1839 incl., 2056 to 2088 incl., 2097 to 2130 incl., 2589 to 2592 incl. only.
93.550.x	Bolt (24)	658	3/4"	03, 03F) On all seri
93.600.x	Bolt (2)	659	210 EH	03, 03F) nos. except 2012
93.650.2	Screw, for item 93.400	-	260 1 H	On serial nos. 1039 1165 to 1186 incl., 1192 to 1782 incl., 1813 to 1822 incl. only. Extra supplied for serial nos. 1138 to 1152 incl. only.
93.700.x	Locking device bracket (1)	660	730 BF 108 E	03B On serial nos. 1216 to 1224 incl., 1267 to 1341 incl., 1542 to 1582 incl. only. Extra supplied for serial nos. 1138 to 1152 incl. only.
93.720.x	Locking device bracket (1) (provided with)	660	730 BF 114	03F On serial nos. 2089 to 2091 incl.
93.725.x	Locking pin (1)	661	730 AC 110 E	only. (5), March '57

GROUP: 02 CEMENT & PRODUCTION MACHINERY

SUB-GROUP: 25 PUMPING UNITS, BEAM TYPE, CONTINENTAL, THOMASSEN

SUB-SUB-GROUP: 81-98

PARTS TYPE 730 BF (MESC 02.25.42)

Page 22

S. S. GROUP ITEM INDICATOR	DESCRIPTION	REF. IN DRWG.	MANUFACTURERS PART No	REMARKS
	SHAFTS			Drwg. 02.25.42 Fig.
	SHAFT (MAIN-)			
94.100.x	Main shaft (1)	700	730 BF 2	01, 01A
94.150.x	Gear wheel with gear ring (1)	701	730 BF 3 A/B	01, 01A
94.200.x	Crank (2)	702	730 BF 4	01, 01A
94.250.x	Cover (2)	703	730 BF 9	01, 01A
94.300.2	Key (3)	704/ 6	730 H 59	01, 01A
	SHAFT (PINION-)			
95.100.x	Gear wheel with gear ring (1)	730	730 BF 5 A/B	01, 01A
95.150.x	Pinion shaft (1)	731	730 BF 6	01, 01A
95.200.2	Circlip (2)	732	730 BF 23	01, 01A
	SHAFT (COUNTER-)			
96.100.x	Counter shaft (1)	780	730 BF 7	01, 01A
96.150.2	Circlip (2)	781	730 AC 8	01, 01A
96.200.x	Brake disc (1)	782	730 BF 38	01, 01A
96.250.x	V-belt pulley (1)	783	730 BF 55	01, 01A
				On serial nos. 1039 1165 to 1186 incl. 1192 to 1787 incl. 1813 to 1839 incl., 1951 to 1988 incl., 2012, 2055 to 2088 incl. 2092 to 2130 incl. 2200 to 2592 incl. only. Extra supplied for serial nos. 1138 to 1152 incl. only.
				(5), March '57

GROUP: 02 CEMENT & PRODUCTION MACHINERY

SUB-GROUP: 25 PUMPING UNITS, BEAM TYPE, CONTINENTAL, THOMASSEN

SUB-SUB-GROUP: 81-98

PARTS TYPE 730 BF (MESC 02.25.42)

Page 88

S. S. GROUP ITEM INDICATOR	DESCRIPTION	REF. IN DRWG.	MANUFACTURERS PART No	REMARKS
	SHAFTS (CONT'D)			Drwg. 02.25.42 Fig.
	SHAFT (COUNTER-) (Cont'd)			
96.300.x	V-belt pulley (1)	783	730 BF 53	01, 01A On serial nos. 1123 to 1152 incl., 1187, 1188, 1798 to 1805 incl., 1940 to 1950 incl., 1986 to 1989 incl., 2089 to 2091 incl. only.
96.310.x	V-belt pulley - (1)	783	730 BF 58	03D On serial nos. 1437 to 1457 incl., 2149 to 2193 incl. only.
96.350.x	Key (1)	785	730 J 118	01, 01A
96.400.x	Key (1)	786	730 AC 118	01, 01A
82.545.2	Retainer plate, for item 96.100 (2)	-	730 BF 95	On serial nos. 1187, 1188, 1437 to 1457 incl., 1772 to 2592 incl. only.
	WALKING BEAM			
97.100.x	Trunnion bracket (1) (provided with)	850	730 BF 65))
97.200.x	Set bolt (1)	851	730 AC 41)On all serial
97.250.x	Nut (1)	852	300 ADB)nos. except
97.300.x	Bolt (4)	853	730 1 BF 69)2012.
97.350.x	Walking beam (1)	854	730 BF 99)03, 03F
81.200.x	Bolt 1" (4)	855	210 EG)

(5), March 1957

GROUP: 02 CEMENT & PRODUCTION MACHINERY

SUB-GROUP: 25 PUMPING UNITS, BEAM TYPE, CONTINENTAL, THOMASSEN

SUB-SUB-GROUP: 81-98

PARTS TYPE 730 BF (MESC 02.25.42)

Page 24

S. S. GROUP ITEM INDICATOR	DESCRIPTION	REF. IN DRWG.	MANUFACTURERS PART No	REMARKS
	MISCELLANEOUS			Drwg. 02.25.42 Fig.
	V-BELTS			
-	V-belt 7/8" x 17/32", pitch length 146", cross section "C"	950	C 144	03 On serial no 1039 only. Refer 58.14.27.441.1
-	V-belt 7/8" x 17/32", pitch length 164", cross section "C"	950	C 162	03A, 03B, 03C On serial nos. 1123 to 1152 incl., 1187, 1188, 1783 to 1787 incl., 1798 to 1805 incl., 1940 to 1950 incl., 1986 to 1989 incl., 2092 to 2096 incl., 2225 only. Refer 58.14.27.481.1
-	V-belt 7/8" x 17/32", pitch length 160", cross section "C"	950	C 158	03, 03D, 03E On serial nos. 1165 to 1177 incl., 1437 to 1457 incl., 1772 to 1782 incl., 1813 to 1839 incl., 1890 to 1939 incl., 1951, 2056 to 2088 incl., 2097 to 2224 incl., 2226 to 2592 incl. only. Refer 58.14.27.461.1
	V-belt 7/8" x 17/32", pitch length 175", cross section "C"	950	C 173	03F On serial nos. 2089 to 2091 incl. only. Refer 58.14.27.501.1
98.100.x	Lengthening shaft	-	646 AJF)
98.110.x	V-belt pulley	-	676 AMH) On serial nos. 1783 to 1787 incl.
98.120.x	Key	-	366 HK) only.
98.130.x	Bracket	-	536 ADK) For Samofa motor.
-	Ball bearing	-	SKF 31611 50 Ø) Refer 58.07.30)
98.150.x	Special stud bolt	-	193 CHB)

(5), March '57

GROUP: 02

CEMENT & PRODUCTION MACHINERY

SUB-GROUP: 25

PUMPING UNITS, BEAM TYPE, CONTINENTAL, THOMASSEN

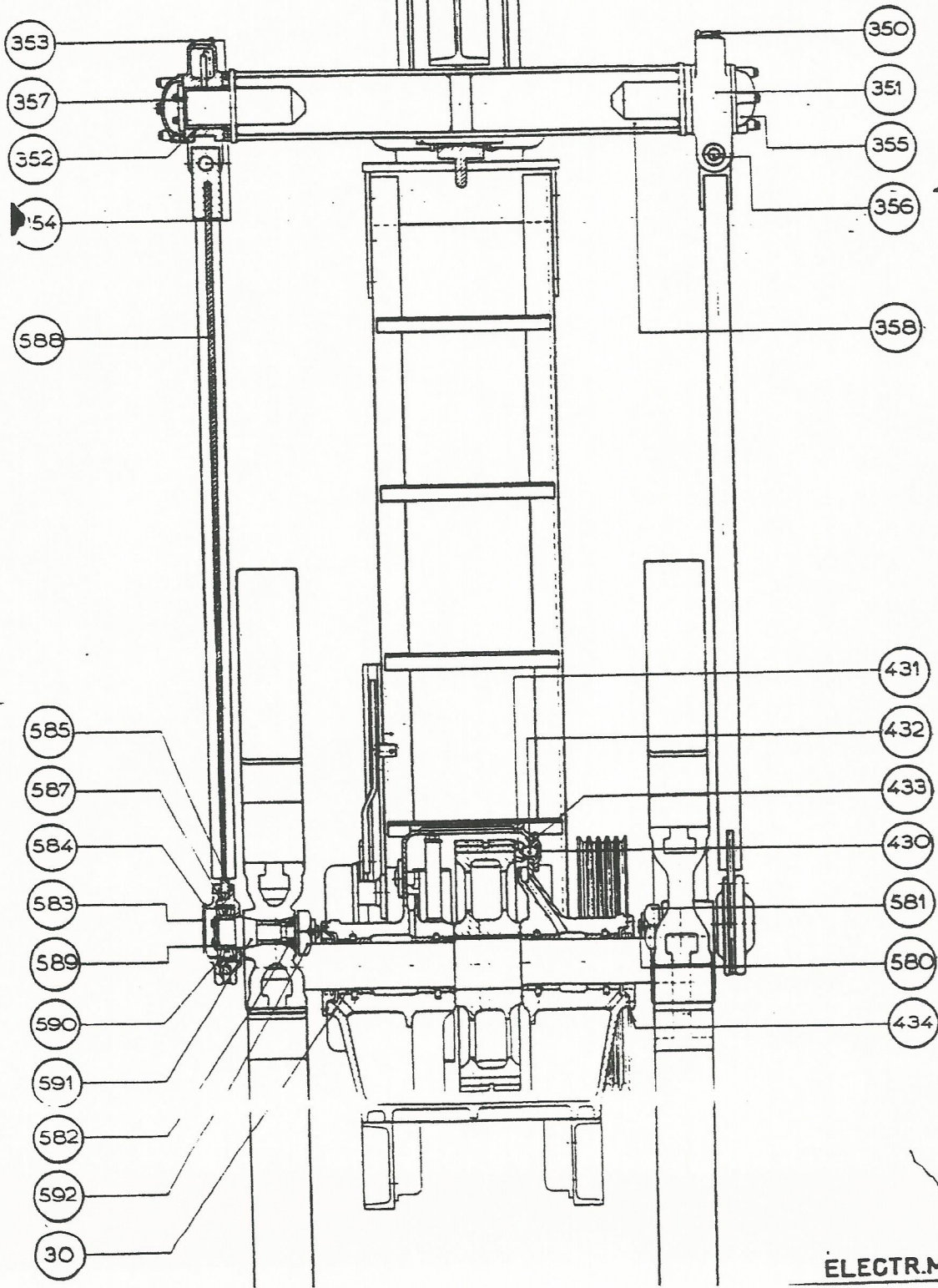
SUB-SUB-GROUP: 81-98

PARTS TYPE 730 BF (MESC 02.25.42)

Page 25

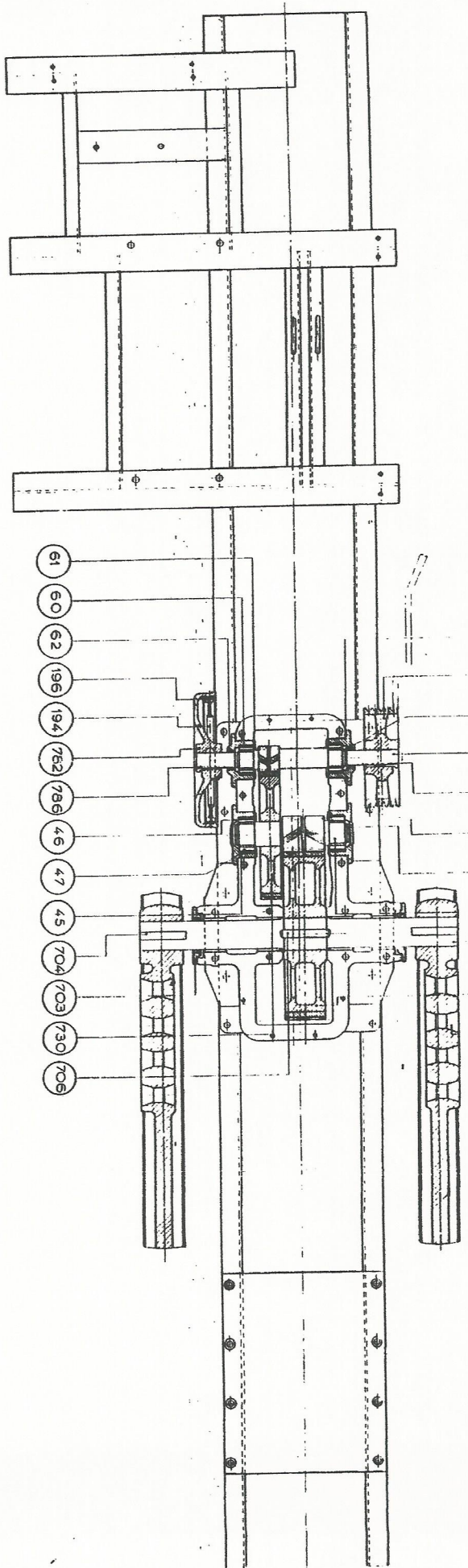
S. S. GROUP ITEM INDICATOR	DESCRIPTION	REF. IN DRWG.	MANUFACTURERS PART No	REMARKS
	MISCELLANEOUS (CONT'D)			Drwg. 02.25.42 Fig.
98.500.x	BEAM HANGER - ASSEMBLY (consists of foll. parts)	-	-	On serial nos. 1039 1178 to 1186 incl., 1192 to 1989 incl., 2056 to 2592 incl.
-	Polished rod grip (1) (provided with)	975	730 AB 320 <i>φ 36</i>	On all serial nos. except 2012. Refer 10.10.30.402
-	Adjusting bolt (2)	976	201 DA	Refer 10.10.30.424
-	Clamping iron (1)	-	730 AB 321 <i>R12</i>	*03, 03A, 03B, 03D Refer 10.10.30.426
-	Carrier bar complete, (1) however, less wire line clamps (compr. foll. parts)	978	730 AB 322 <i>R17.5</i>	03, 03A, 03B, 03D Refer 10.10.30.454
-	Bolt 3/4" x 4" UNC (1)	-	**209 E = 214 BFC	Refer 81.01.01.329
-	Bolt 3/4" x 2 1/2" UNC (2)	-	**209 G = 214 BEE	Refer 81.01.01.322
-	Closing plate (1)	979	730 AB 312 B	03, 03A, 03B, 03D Refer 10.10.30.514
-	Pawl (1)	-	730 AB 312 C	Refer 10.10.30.516
-	Spring (1)	-	730 AB 312 D	Refer 10.10.30.518
-	Carrier bar only (1)	978	730 AB 322	03, 03A, 03B, 03D Refer 10.10.30.454
98.800.2	Cable <i>φ 26</i> (1) (provided with)	980	730 BF 325	03, 03A, 03B, 03D
-	Wire line clamp, babbit type (2)	981	730 AB 319 <i>φ 36</i>	03, 03A, 03B, 03D Refer 10.10.30.474
				*Obsolete replaced UNC bolts.
	<div style="border: 1px solid black; border-radius: 50%; padding: 10px; display: inline-block;"> <p><i>1" cable 1 1/4 pump/shy</i></p> </div>			
	SPECIAL TOOLS			
98.950.x	Wrench	-	730 AB 60)To be used for:) Bolt 02.25.86.150) Nuts 02.25.91.250 and 02.25.92.010
98.951.x	Wrench	-	730 AC 93	
				(5). March '57

02.25.42.02



ELECTR.MOTOREQUIPMENT.

(429) (783) (781) (780) (785) (428) (732) (731) (700) (701) (702)



02.25.42.01A

61 (60) (62) (96) (94) (762) (786) (46) (47) (45) (704) (703) (730) (705)

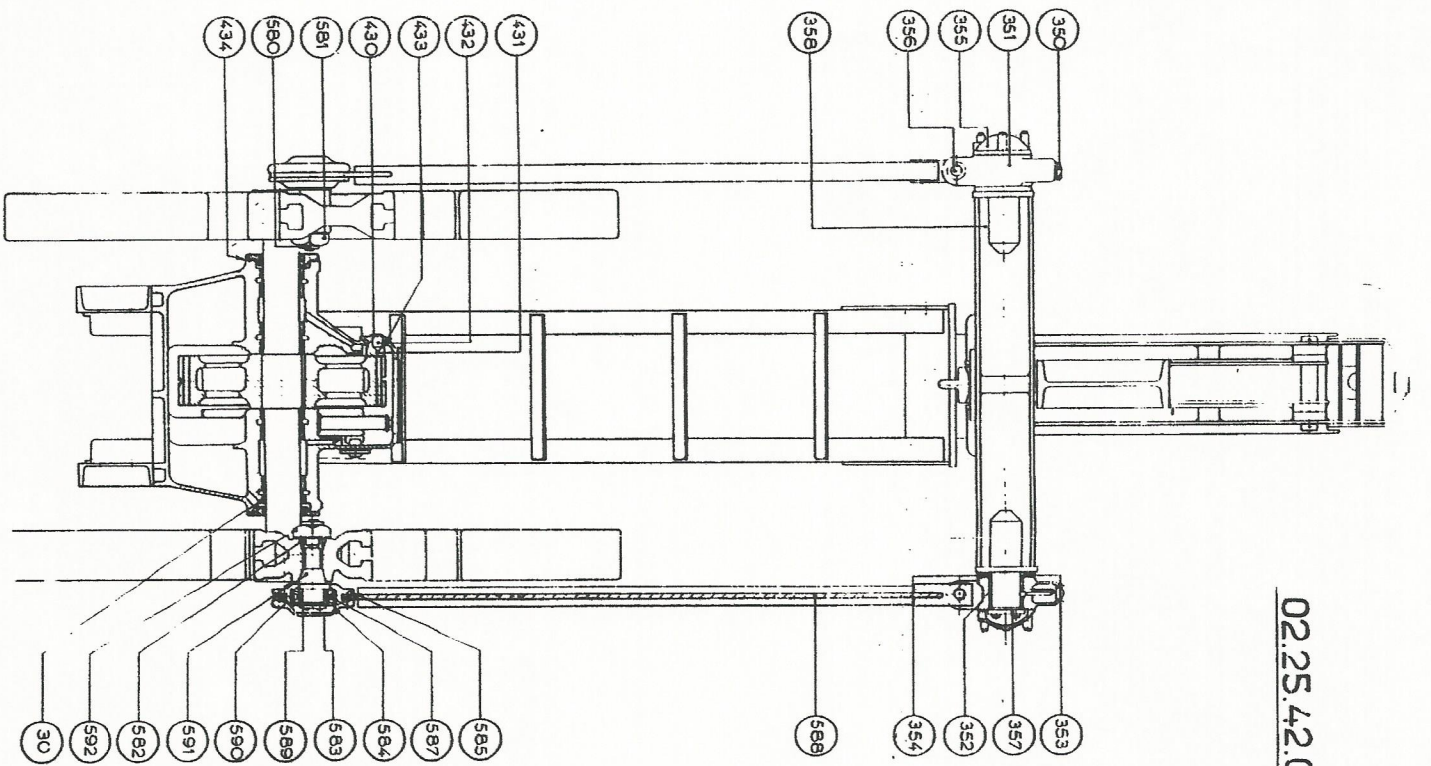
(180) (161) (183) (188) (184) (185) (186) (427)

(137) (182) (193) (192)

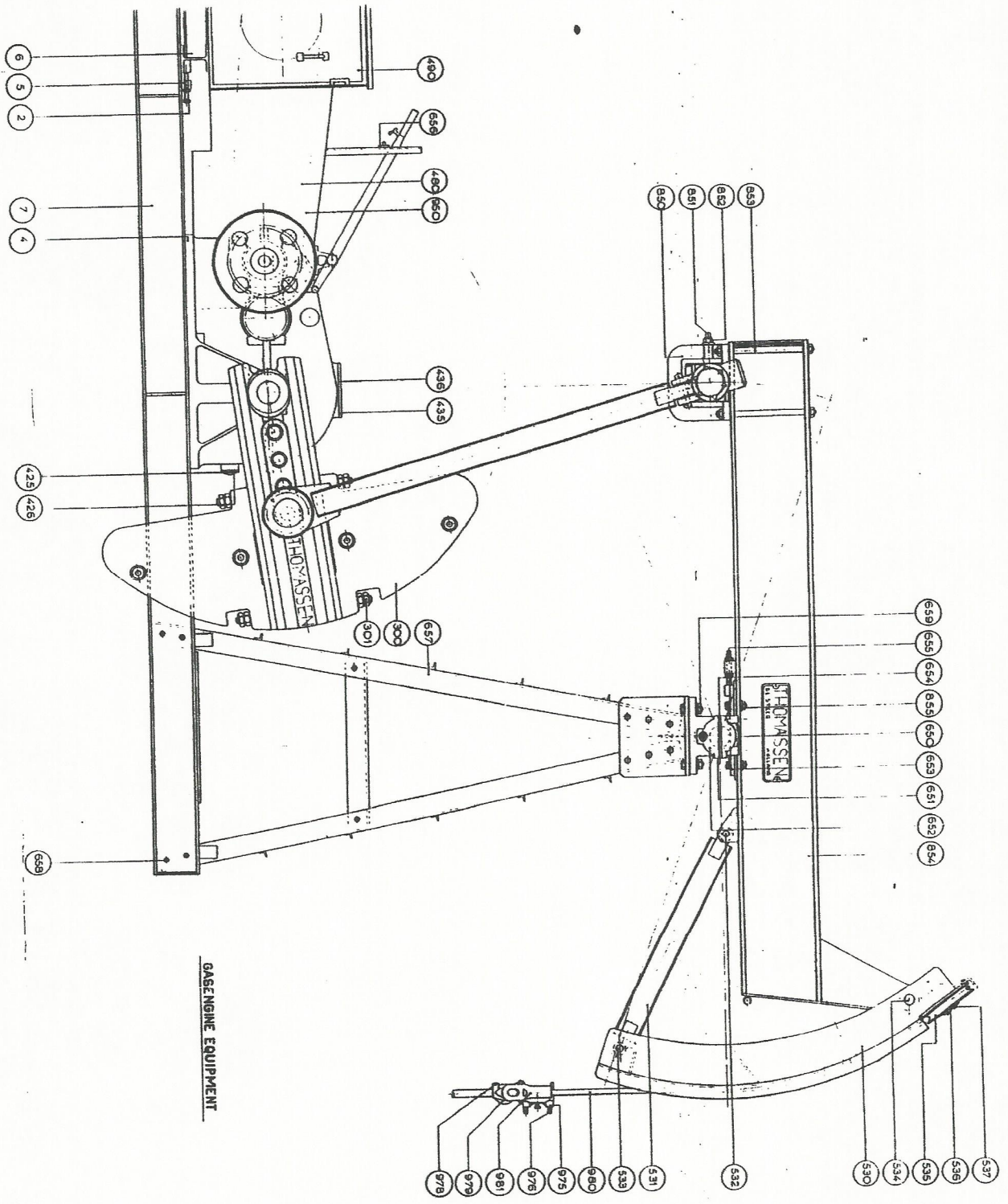
(191) (190) (427)

GASENGINE EQUIPMENT

02.25.42.02A

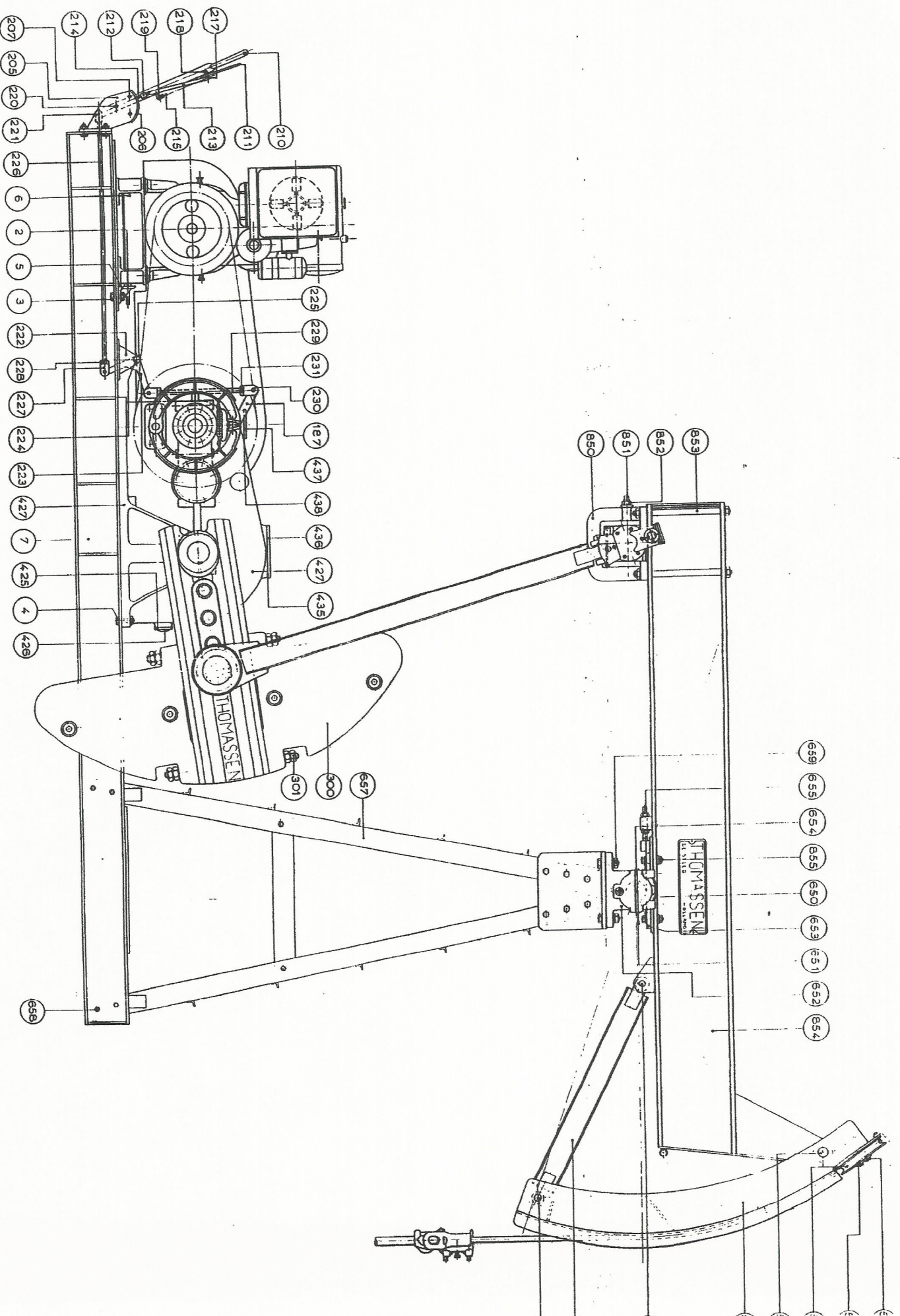


GASENGINE EQUIPMEN

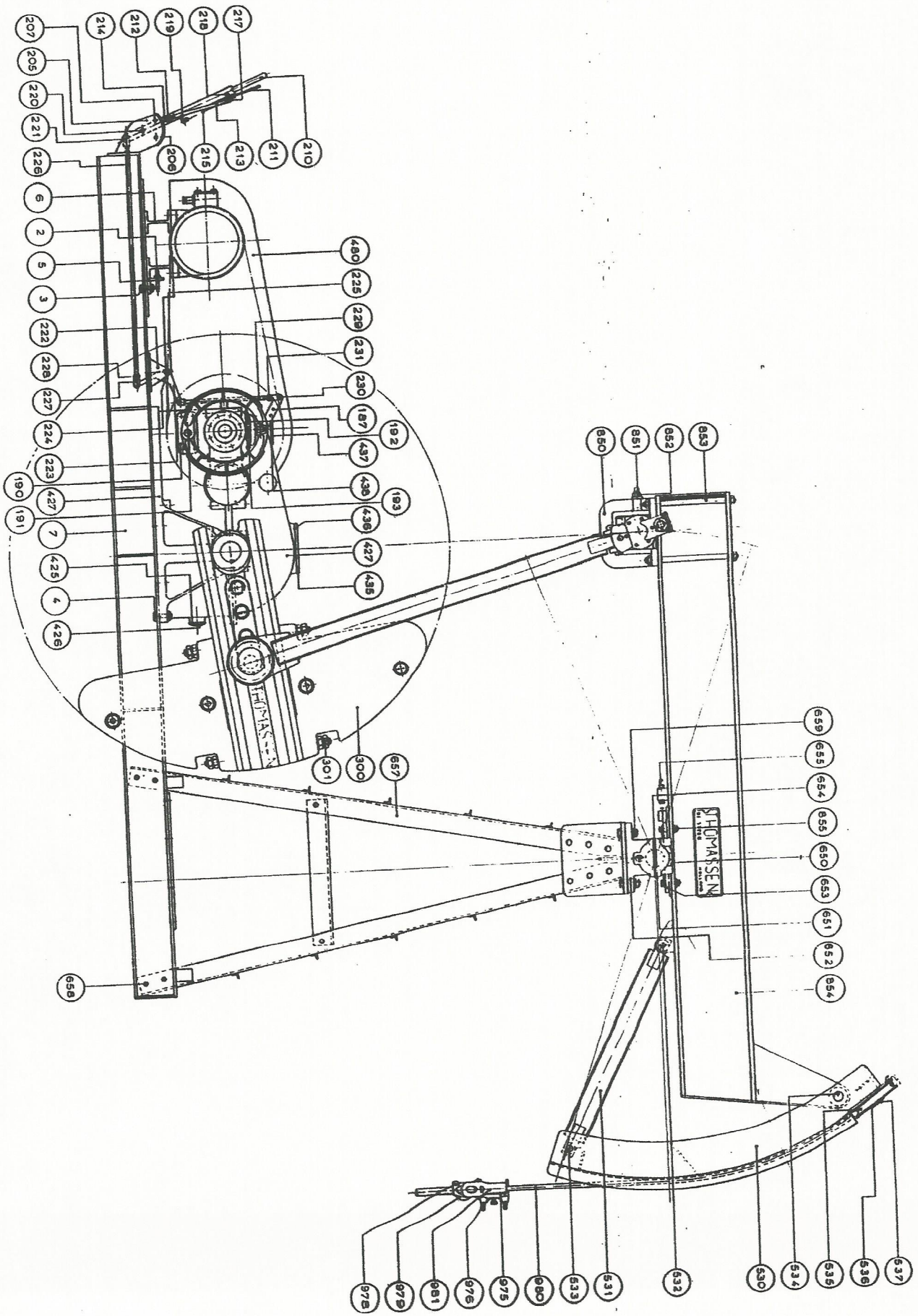


GASENGINE EQUIPMENT

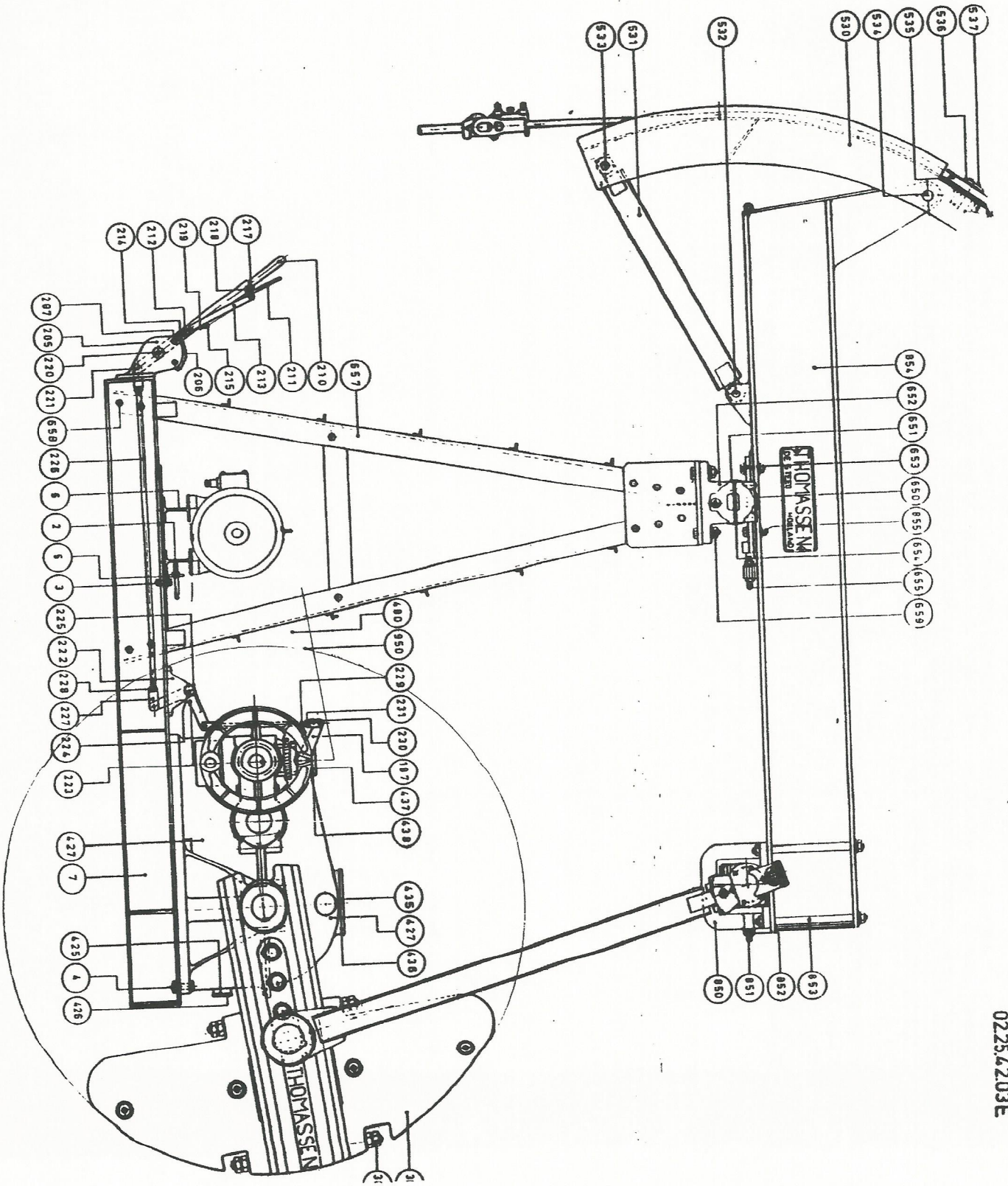
0225.42.03A

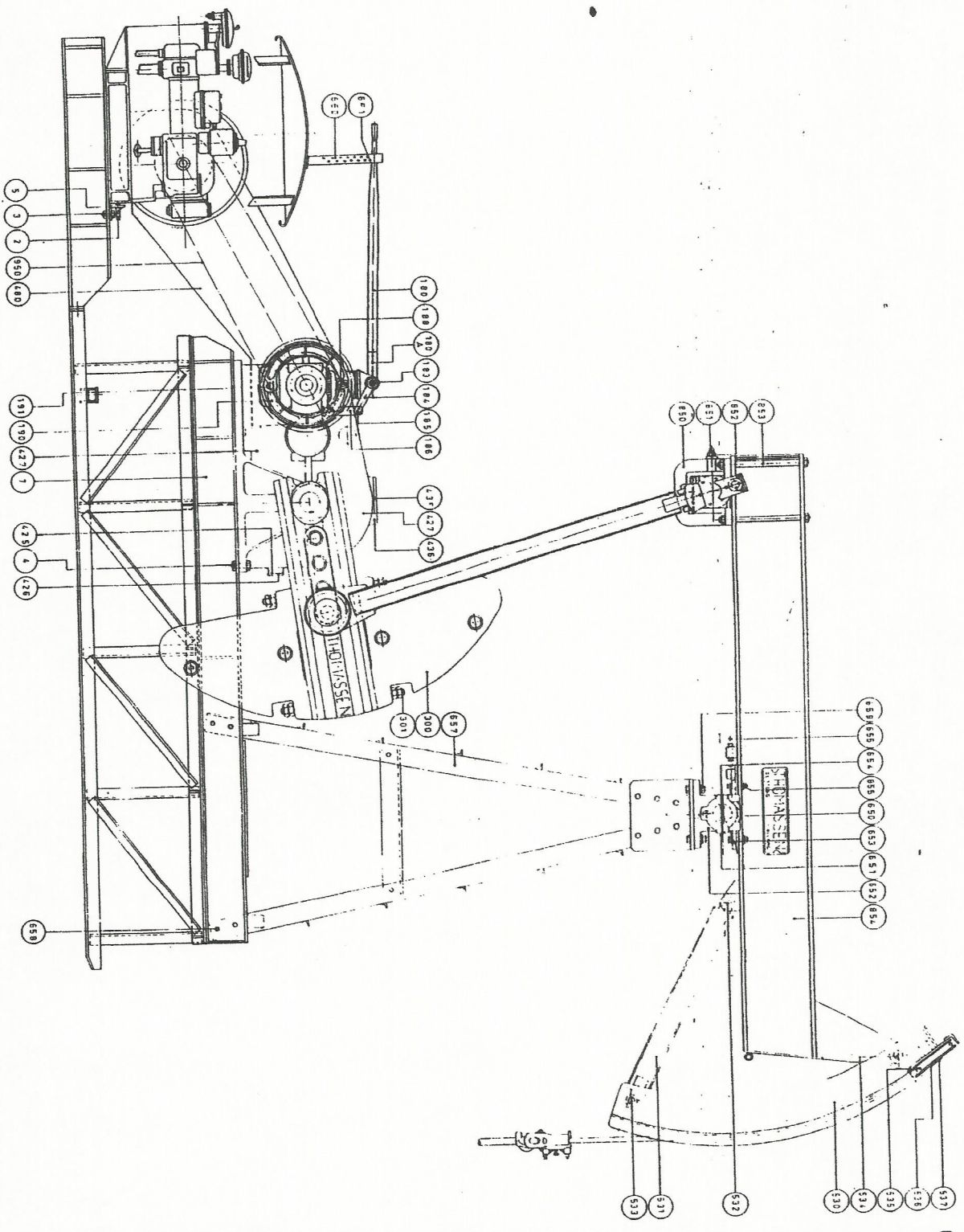


02.2542.03

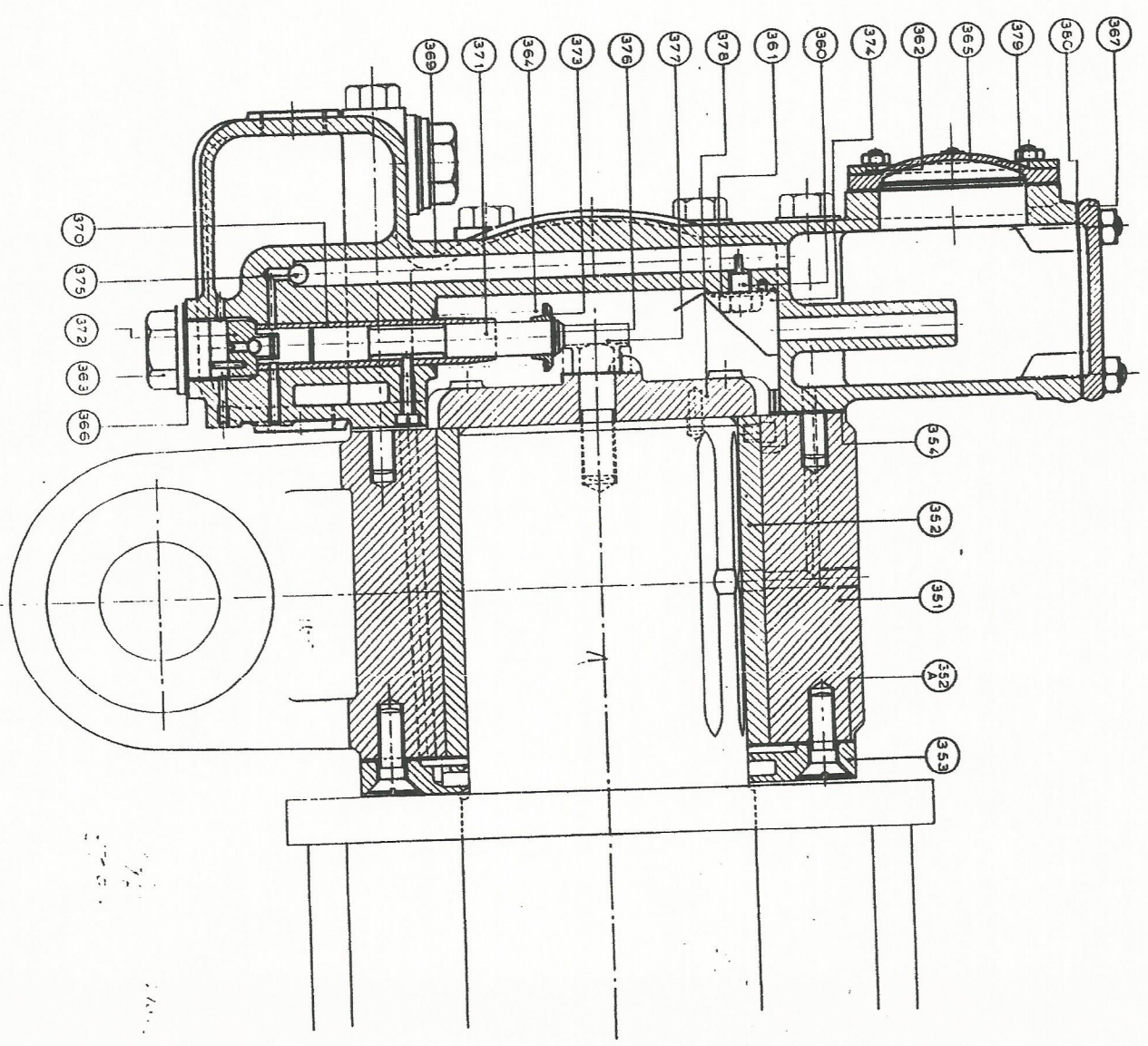
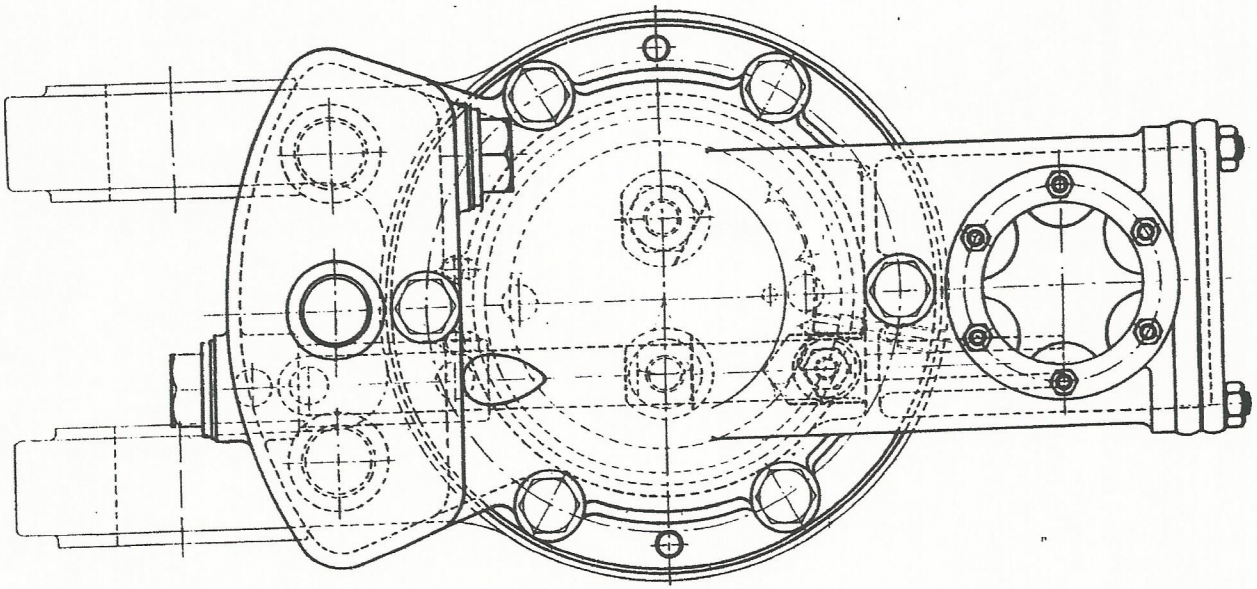


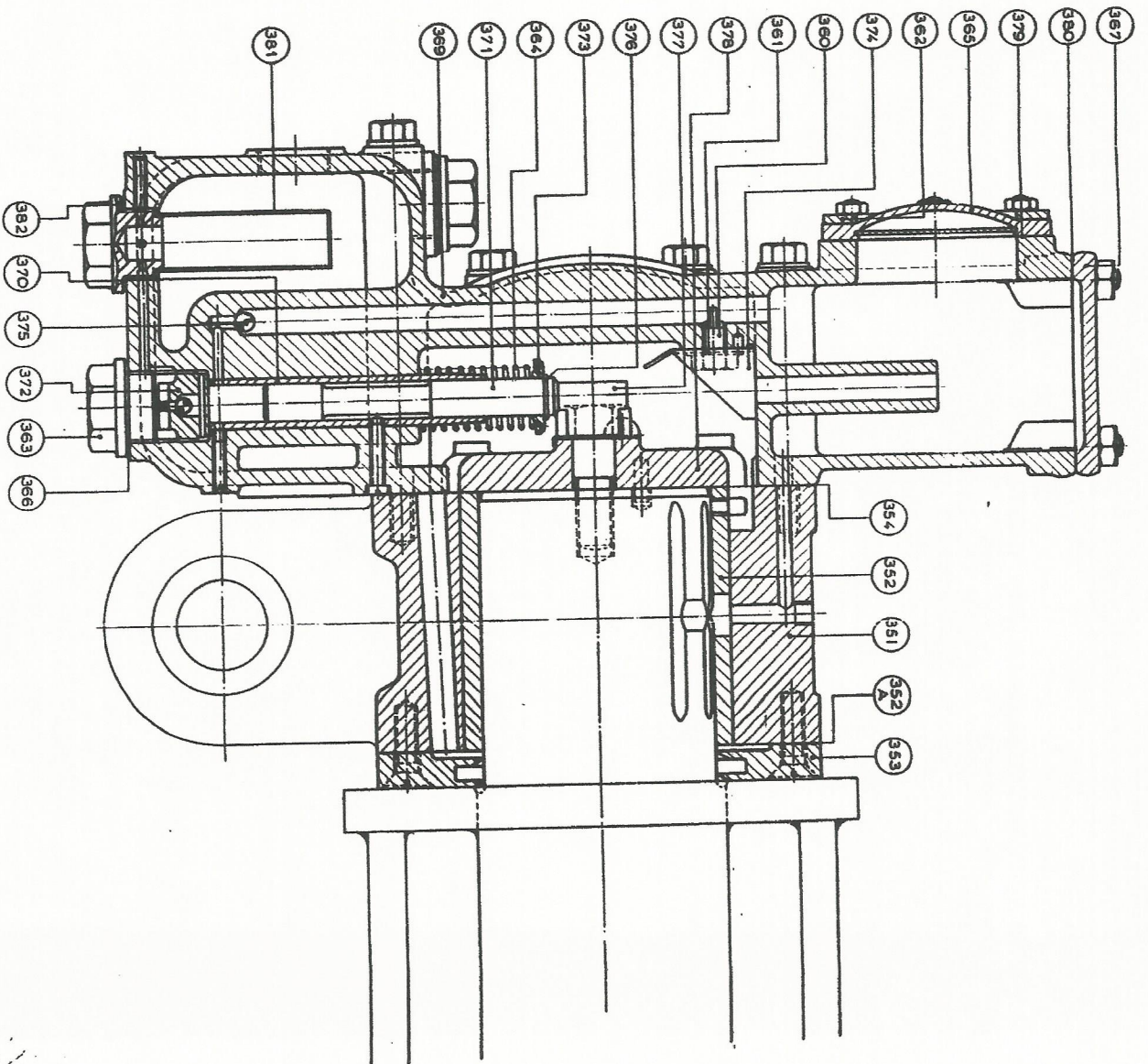
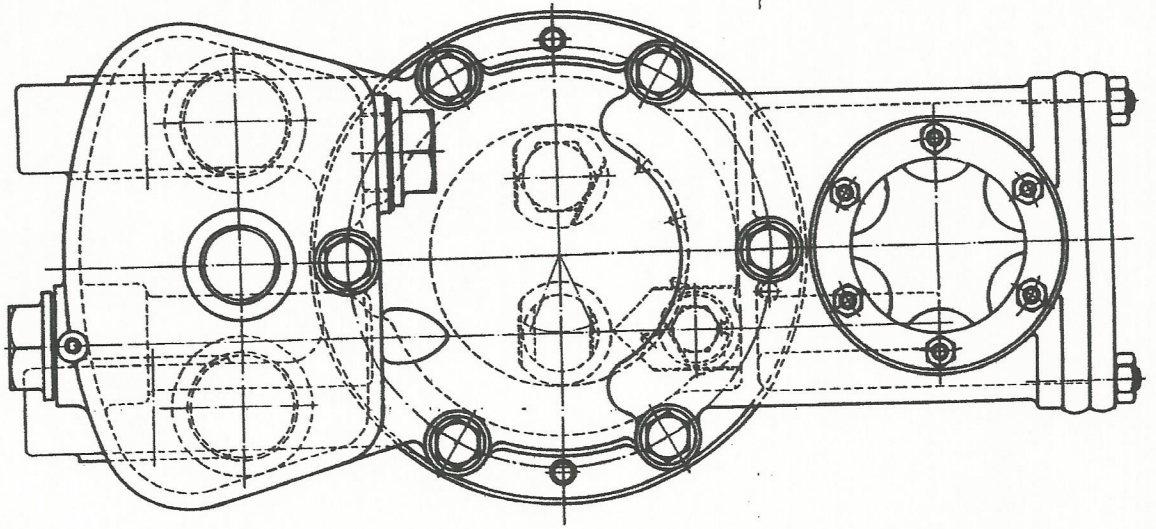
02.254203 D





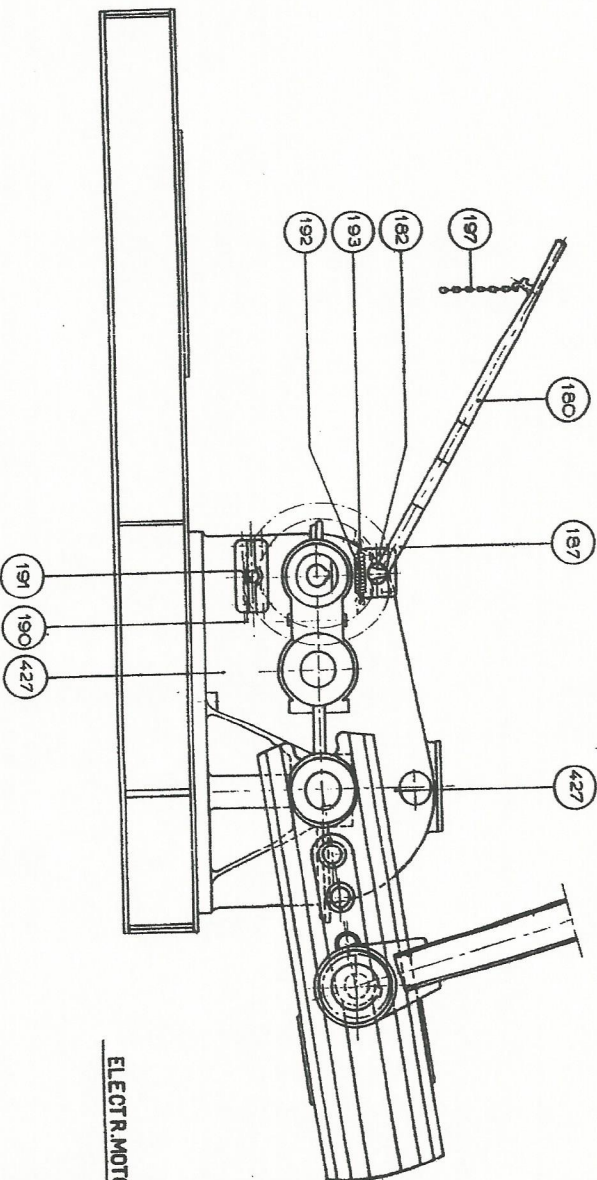
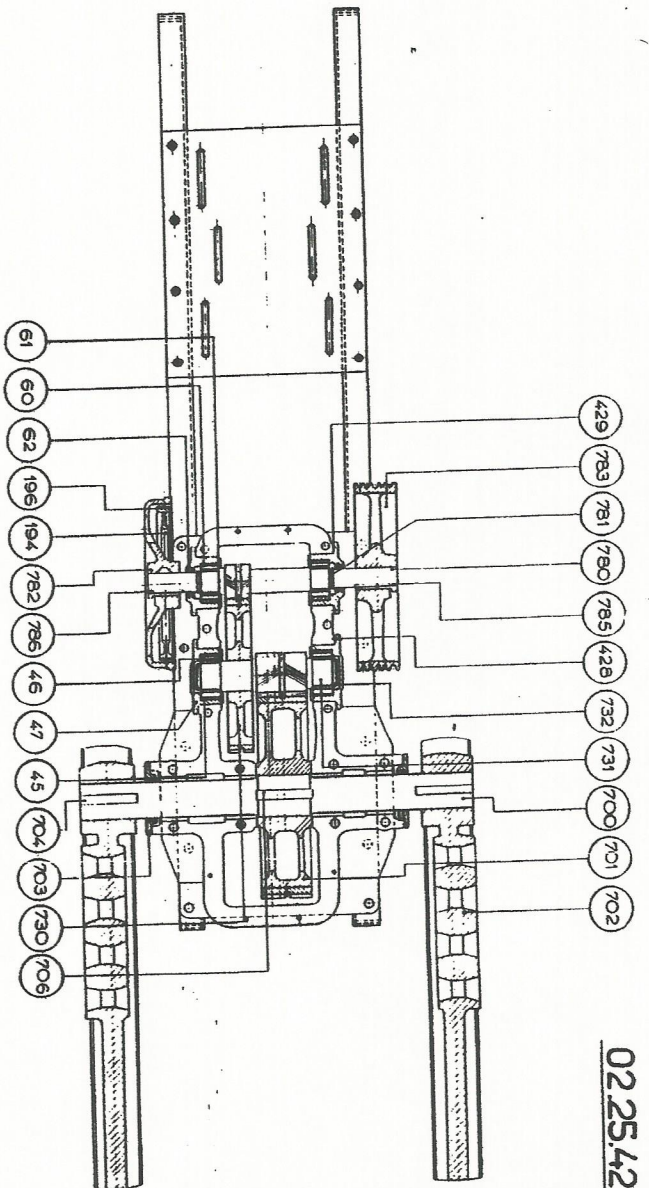
02.25.4203 F





02254204 A

02.25.42.01



ELECTR. MOTOR EQUIPMENT.