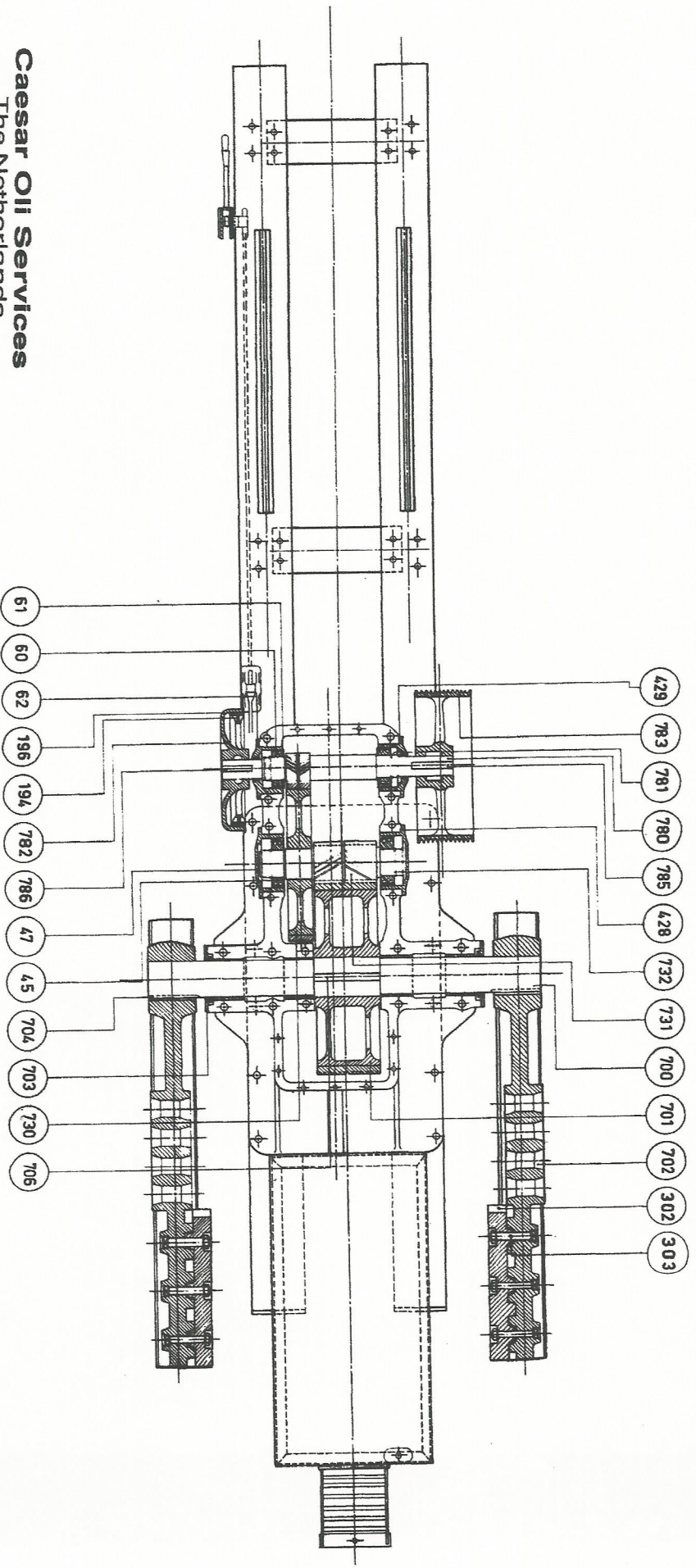


A	B	C	D	E	F	G	H	J	K	L	M	N	O
11'-9 ³ / ₄ "	14'-9 ¹ / ₄ "	22'-5 ³ / ₄ "	6 ³ / ₄ "	2'-10 ⁷ / ₈ "	20'-1 ³ / ₄ "	3'-7 ³ / ₈ "	7'-9 ³ / ₄ "	2'-2 ¹ / ₈ "	4'-3 ¹ / ₄ "	11 ⁷ / ₈ "	7'-2 ¹ / ₈ "	10'-0"	15'-1 ¹ / ₄ "
3600	4500	6850	170	885	6140	1100	2380	665	1300	300	2200	3050	4605

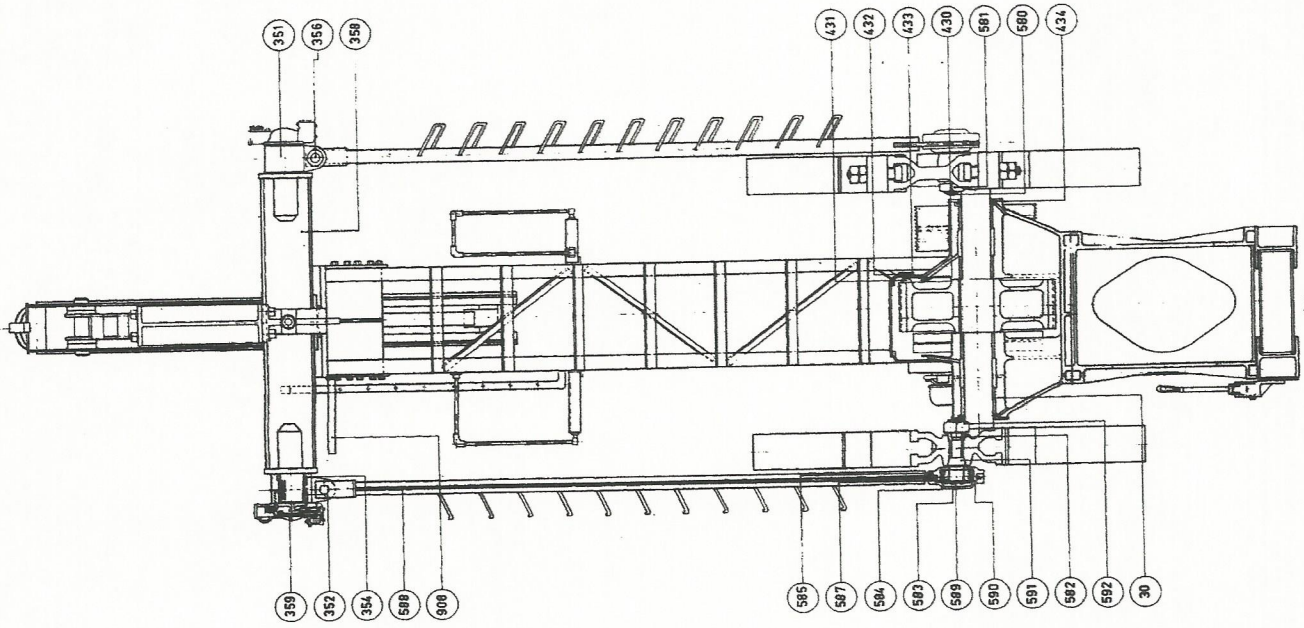
THOMASSEN PUMPING UNIT TYPE 30/120 CD

Max. polished rod load in lbs.	30.000
A.P.I. peak torque rating at 20 strokes/min. in lbs. inches	660.000
Polished rod strokes in inches	120 (103 ³ / ₄ -87 ¹ / ₂ -71 ¹ / ₄)
Crank-Pitman ratio	1 : 4.0
Gear ratio	1 : 29.55
Face width of slow and high speed gear in inch (mm)	14 ¹ / ₁₆ (360)-5 ¹ / ₂ (140)
Standard counterbalance effect in lbs. pol. rod. load	18.000
Idem with auxiliary weights	22.500
Drive shaft ø in inch (mm)	4 ³ / ₈ (110)
Max. pitch ø drive shaft Vee-belt pulley in inch (mm)	33 ¹ / ₂ (850)
Min. pitch ø motor Vee-belt pulley in inch (mm)	8 ¹ / ₃₂ (220)
Vee-belts, number and type	12 × C
Gearbox oil capacity Imp. gallons (liters)	36 (163)
Weight of gearbox with cranks in lbs. (kg)	18.700 (8.500)
Weight of subbase for gearbox in lbs. (kg)	3.565 (1.620)
Number and weight of standard counter weights in lbs. (kg)	4 × 2.770 (1.260)
Number and weight of auxiliary weights in lbs. (kg)	2 × 2.045 (930)
Weight of unit with standard counter weights in lbs. (kg)	57.200 (26.000)

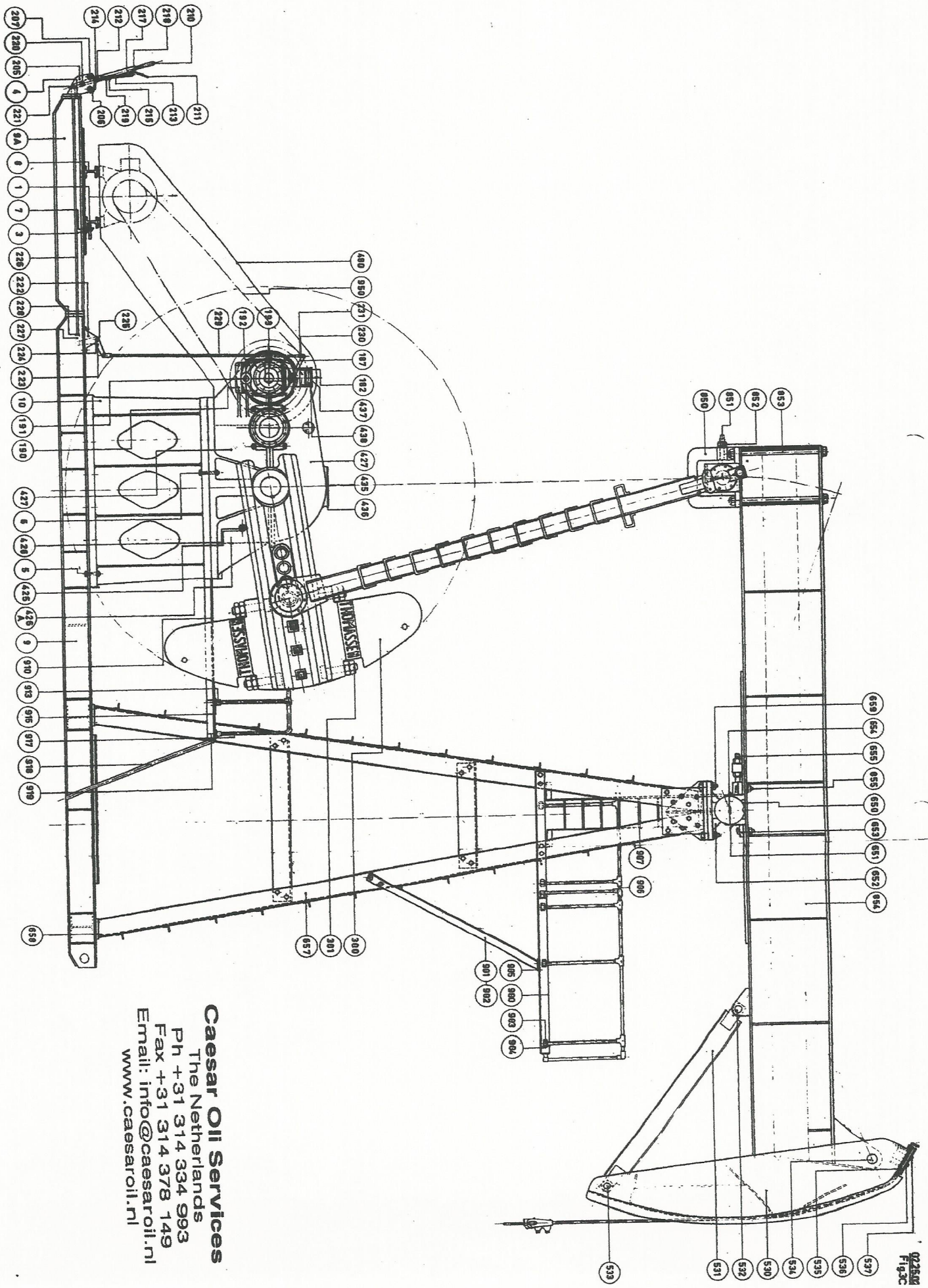
Caesar Oil Services
The Netherlands
Ph +31 314 334 993
Fax +31 314 378 149
Email: info@caesaroil.nl
www.caesaroil.nl



02.25.02
Fig.1A.

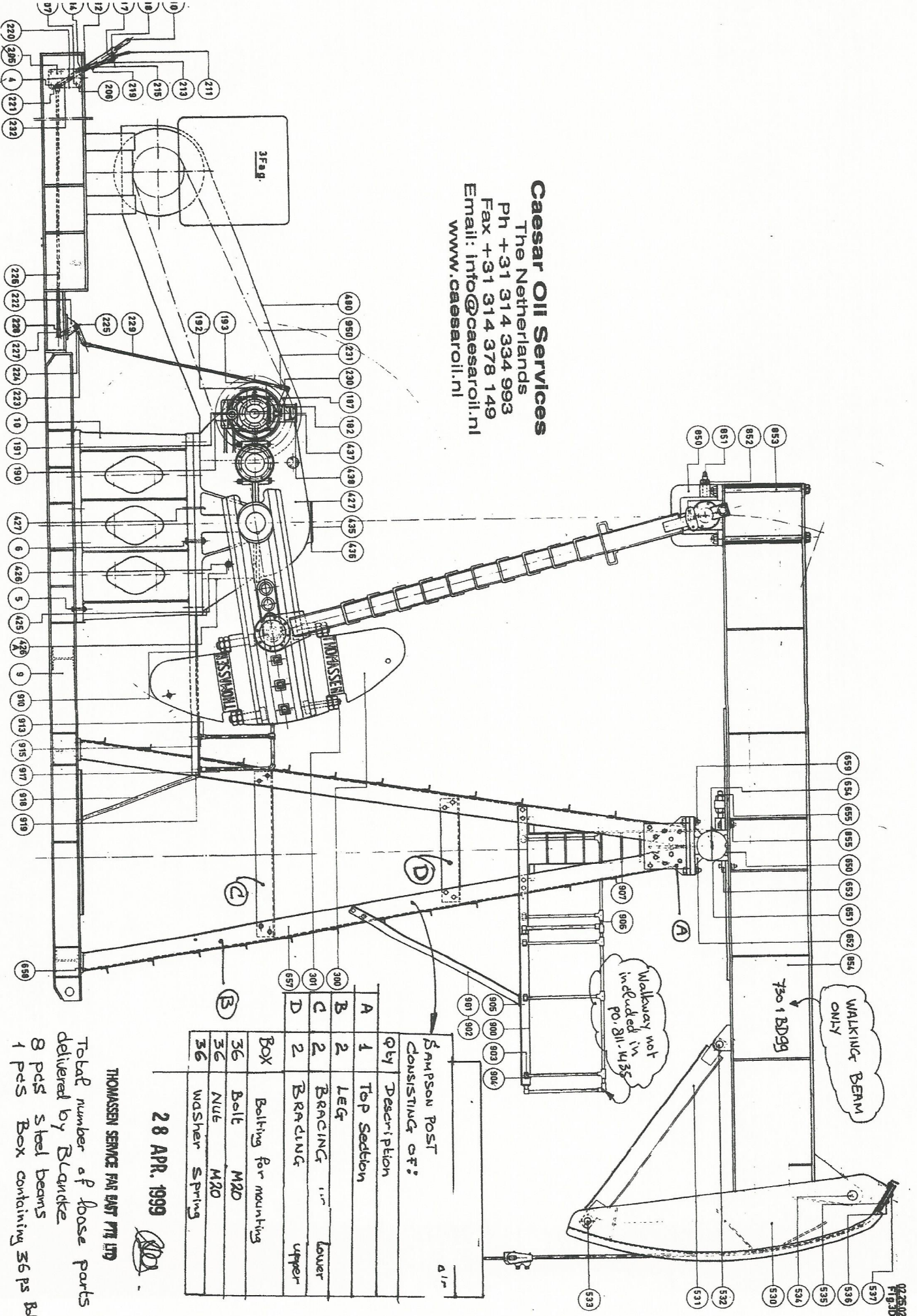


Caesar Oil Services
The Netherlands
Ph +31 314 334 993
Fax +31 314 378 149
Email: info@caesaroil.nl
www.caesaroil.nl



Caesar Oil Services
 The Netherlands
 Ph +31 314 334 993
 Fax +31 314 378 149
 Email: info@caesaroil.nl
www.caesaroil.nl

Caesar Oil Services
 The Netherlands
 Ph +31 314 334 993
 Fax +31 314 378 149
 Email: info@caesaroil.nl
 www.caesaroil.nl



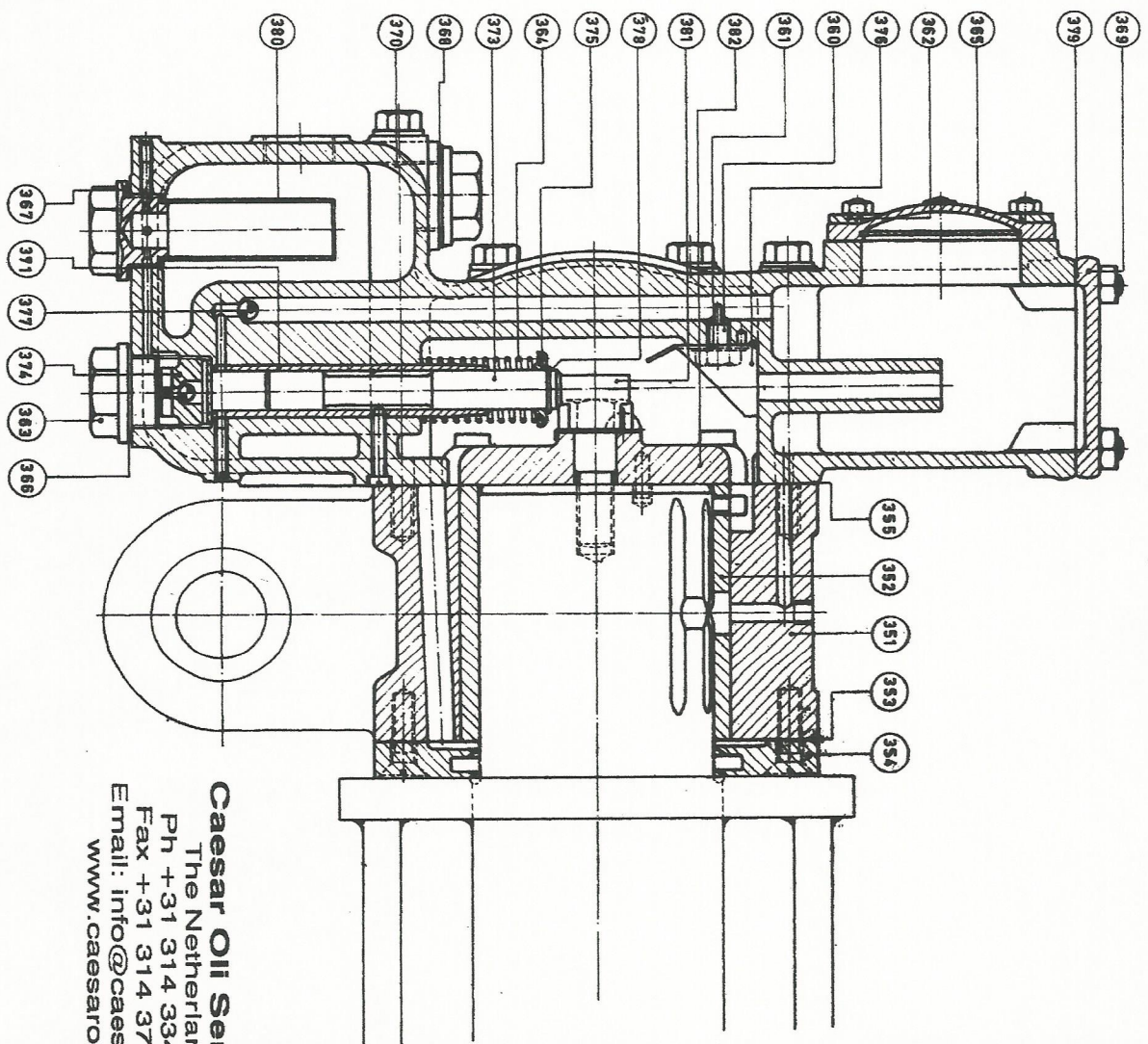
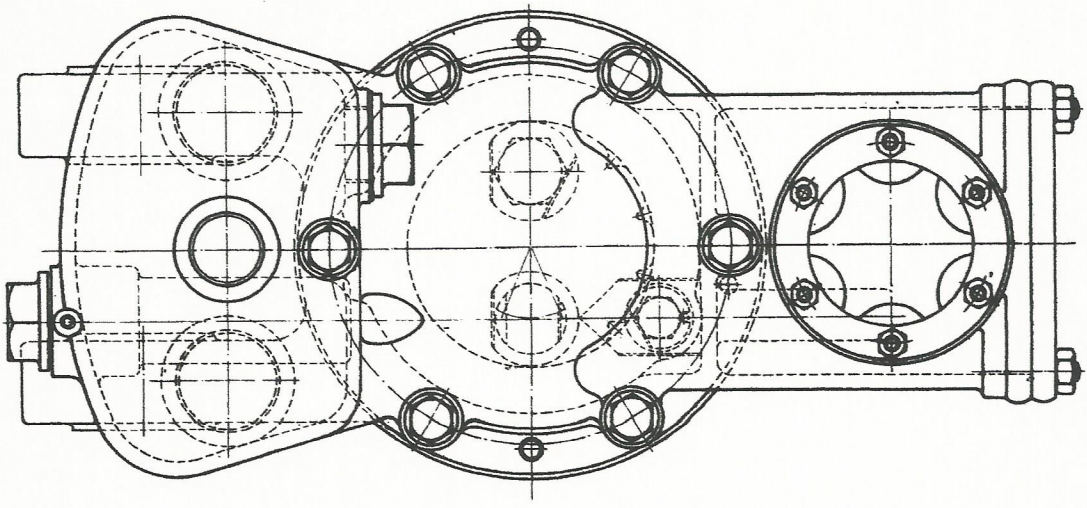
Qty	Description
1	Top Section
2	LEG
2	BRACING - Lower
2	BRACING - Upper
Box	Boxing for mounting
36	Bolt M20
36	NUT M20
36	WASHER Spring

28 APR. 1999

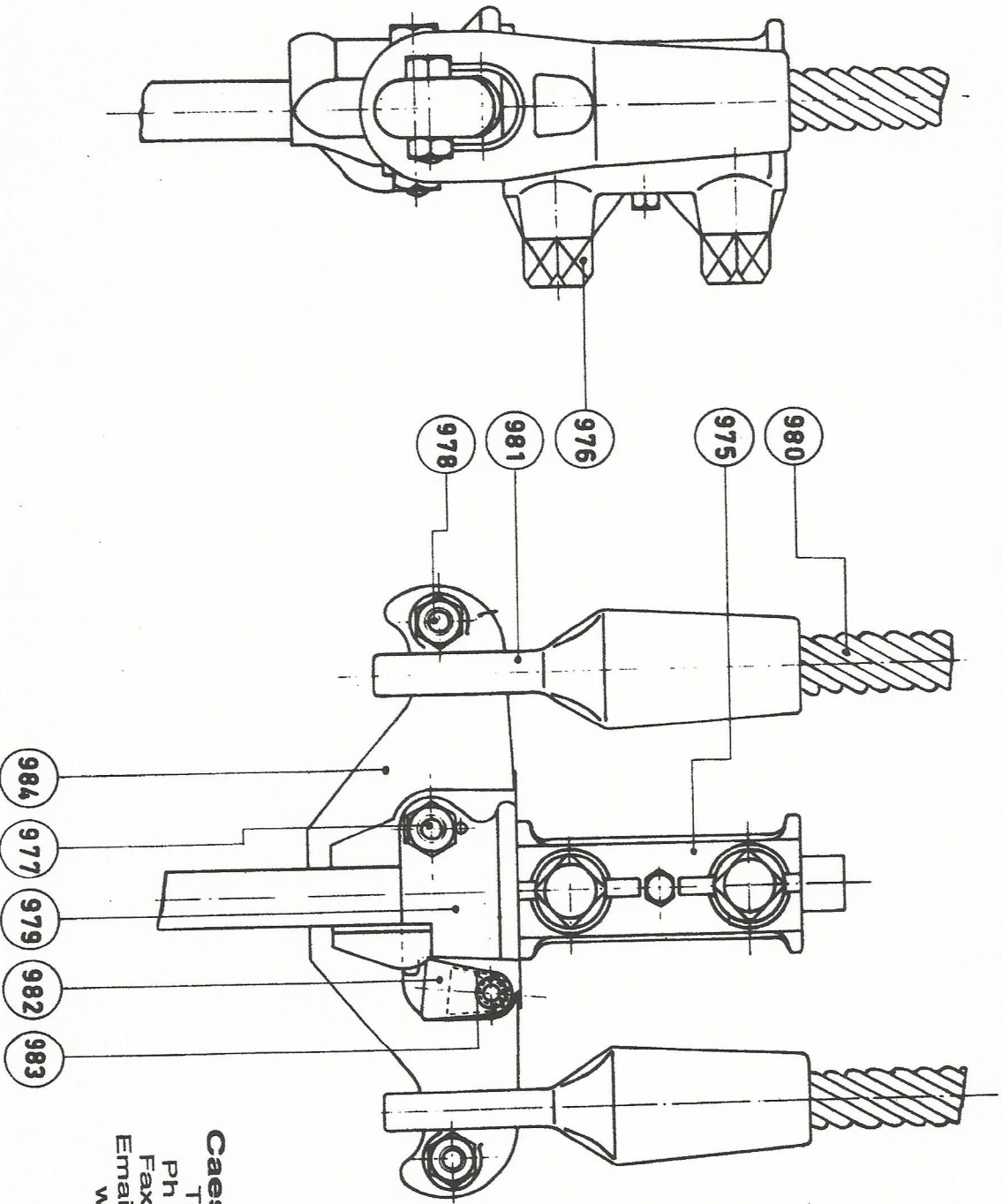
THOMASSEN SERVICE FAR EAST PTE LTD

Total number of loose parts delivered by Blanket
 8 pds Steel beams
 1 pds Box containing 36 ps Bolt!

922518
 P1836



Caesar Oil Services
The Netherlands
Ph +31 314 334 993
Fax +31 314 378 149
Email: info@caesaroil.nl
www.caesaroil.nl



Caesar Oil Services
The Netherlands
Ph +31 314 334 993
Fax +31 314 378 149
Email: info@caesaroil.nl
www.caesaroil.nl